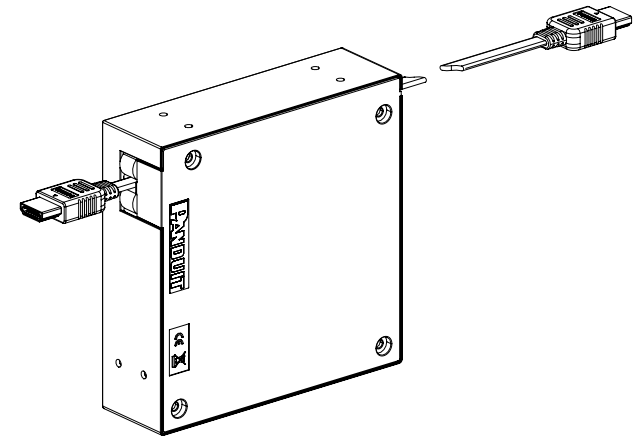
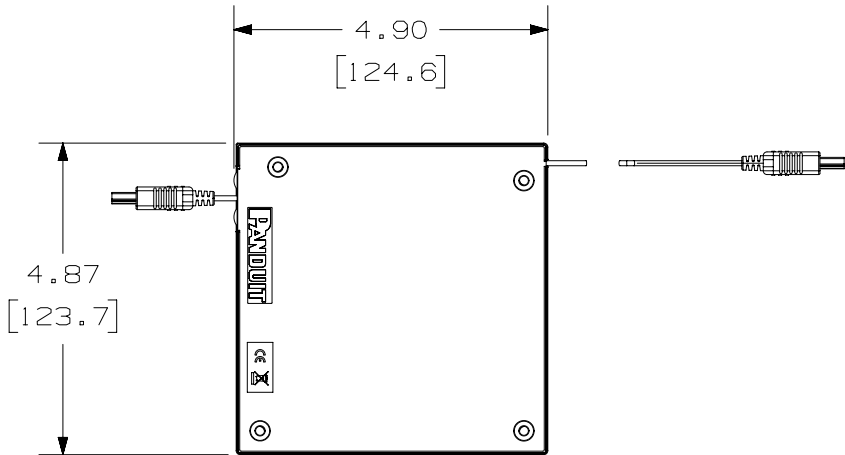
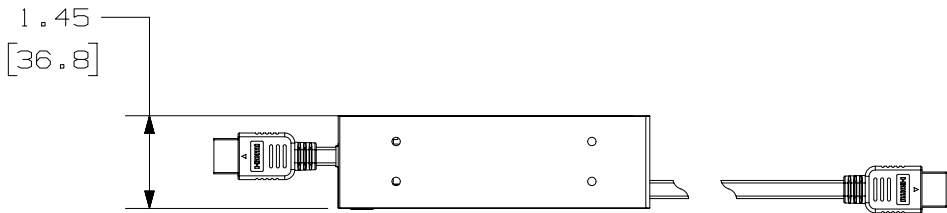
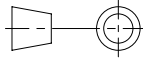


THIS COPY IS PROVIDED ON A RESTRICTED BASIS AND IS NOT TO BE USED IN ANY WAY DETRIMENTAL TO THE INTERESTS OF PANDUIT CORP.

NOTES:

1. VISIT OUR ON-LINE CATALOG AT WWW.PANDUIT.COM FOR A LIST OF CURRENT PARTS APPLICABLE FOR USE WITH THIS PRODUCT.
2. DIMENSIONS IN [ ] ARE METRIC.
3. ALL MATERIALS AND COMPONENTS USED MEET THE MATERIAL RESTRICTIONS OF RoHS (EUROPEAN DIRECTIVE 2011/65/EU ON THE RESTRICTION OF HAZARDOUS SUBSTANCES) AS PROPOSED BY THE RoHS TECHNICAL ADAPTATION COMMITTEE.
4. WEIGHT: 1.2 LB (544 g)/1 PC
5. PART INCLUDES:
  - 1- HDMI RETRACTOR CABLE w/4ft RETRACTABLE SOURCE END AND 4ft FIXED DISPLAY END
  - 1- MOUNTING BRACKET
  - 1- CORD PASS-THROUGH FACEPLATE



PART NUMBER		PND400		
TITLE		HDMI RETRACTOR CABLE W/ BRACKET		
		CUSTOMER DRAWING		
ITEM REVISION NAME		00101EBN/01		
DATASET FILE NAME		00101EBN_DC/01B		
		THIRD ANGLE PROJECTION		
MATERIAL		SEE NOTE 5		
		DRAWING NUMBER		
		00101EBN-DC		
REV	DATE	BY	CHK	SCALE
01B	9-10-18	BJN	JCO	NONE
DESCRIPTION		ECN	SHEET 1 OF 1	
			A	

A-SIZE CUSTOMER

2

1

2

1

## X-ON Electronics

Largest Supplier of Electrical and Electronic Components

*Click to view similar products for [HDMI Cables](#) category:*

*Click to view products by [Panduit](#) manufacturer:*

Other Similar products are found below :

[426301400-3](#) [68767-0003](#) [CA-MINIDP-HDMIF-10FT](#) [HP-19AFMM-SL7A01](#) [HP-19AFMM-SL7A05](#) [S-HDI-DVI-2](#) [S-HDI-DVI-5](#) [10HM-15128-01](#) [HD0003](#) [31888](#) [31889](#) [31893](#) [31897](#) [31908](#) [31911](#) [31913](#) [31914](#) [31915](#) [31919](#) [31920](#) [31921](#) [31923](#) [31925](#) [31926](#) [31929](#) [31930](#) [31932](#) [31935](#) [31936](#) [31937](#) [31938](#) [CV0036B](#) [CV0038](#) [CV0057B](#) [CV0058](#) [CV0058B](#) [CV0059B](#) [50580](#) [50581](#) [50582](#) [50989](#) [51579](#) [51586](#) [51724](#) [51957](#) [52859](#) [31890](#) [31891](#) [31892](#) [31894](#)