

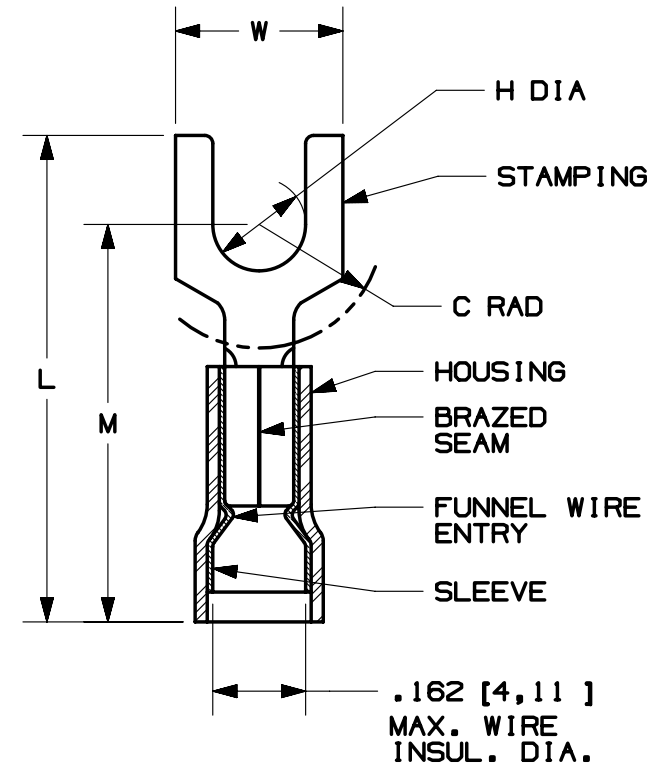
THIS COPY IS PROVIDED ON A RESTRICTED BASIS AND IS NOT TO BE USED IN ANY WAY DETRIMENTAL TO THE INTERESTS OF PANDUIT CORP.

PANDUIT PART #	STUD SIZE		DIMENSIONS in. [mm]				
	ENGLISH	METRIC	L ± .03 [0,51]	W ± .01 [0,25]	C ± .02 [0,38]	M ± .03 [0,51]	H ± .01 [0,25]
PMNF2-3F*	--	M3	.78 [19,81]	.23 [5,89]	.20 [5,05]	.64 [16,26]	.13 [3,30]
PNF14-6F	#6	M3,5	.80 [20,32]	.28 [7,11]	.22 [5,59]	.66 [16,76]	.15 [3,81]
PNF14-8F	#8	M4	.85 [21,59]	.31 [7,87]	.25 [6,35]	.69 [17,52]	.17 [4,32]
PNF14-10F	#10	--	.87 [22,10]	.34 [8,64]	.26 [6,60]	.71 [18,03]	.20 [5,08]
PMNF2-5F*	--	M5	.86 [21,85]	.34 [8,58]	.25 [6,35]	.70 [17,78]	.21 [5,33]
PNF14-14F	1/4"	M6	1.05 [26,67]	.44 [11,18]	.35 [8,89]	.80 [20,32]	.27 [6,86]

* NOT UL LISTED OR CSA CERTIFIED

NOTES:

- USED FOR:
 - A. 16-14 AWG [1,5-2,5 mm²] STRANDED COPPER WIRE
 - B. 221°F [105°C] MAX. OPERATING TEMPERATURE
 - C. 600V. MAX. BLDG WIRE (1000 V. MAX. IN SIGNS, FIXTURES & LUMINAIRES)
- INSTALLATION TOOLS PANDUIT APPROVED:
 - A. UL APPROVED: CT-100A, CT-400, CT-460, CT-600-A (CT-550CH) CT-1550, CT-1551, CT-2500(CT-2550CH)
 - B. PANDUIT APPROVED: CT-160, CT-260
- WIRE STRIP LENGTH: 5/16 ±.002 [7,9 ±.008]
- MATERIAL:
 - A. STAMPING: .032" [0,8] THK COPPER, TIN PLATED
 - B. HOUSING: NYLON, BLUE
 - C. SLEEVE: BRASS, TIN PLATED
- SEE www.panduit.com FOR PACKAGE QUANTITIES INDICATED BY PART NUMBER SUFFIX
- DIMENSIONS IN BRACKETS ARE METRIC EQUIVALENT



LISTED
587H
E52164



CERTIFIED
LR31212

.080 [2,03]
MIN. WIRE
INSUL. DIA.

TITLE
**#16-14 BARREL FORK, NYLON INSULATED
FUNNELED WIRE ENTRY, .162 (4,11) MAX WIRE INSUL DIA.**
CUSTOMER DRAWING

ITEM REVISION NAME N41261AA/08		PANDUIT TM
DATASET FILE NAME N41261AA_DC/08A		
UNLESS OTHERWISE SPECIFIED, DIMENSIONAL TOLERANCES ARE: IN (mm) .x ± .1 [2.54] .xxx ± .005 [0.127] .xx ± .01 [0.25] ANGLES ± 5°		MATERIAL: SEE NOTES
THIRD ANGLE PROJECTION		DRAWING NUMBER: N41261AA-DC
DRAWN BY DAW	DATE -	CHK CJH
SCALE N.T.S.		SHEET 1 OF 1

REV	DATE	BY	CHK	APR	DESCRIPTION	ECN
08	11.26.13	JHNU	TMR	RGB	INDICATED PART NUMBERS WHICH ARE NOT UL LISTED/CSA CERTIFIED	N41261AA-DC
07	07.09.12	BDK	LCA	VMB	ADDED PMNF2-3F AND PMNF2-5F. ADDED METRIC EQUIVALENT. CHANGE PACKAGING NOTE. REVISED INSTALLATION TOOLS NOTE. BROUGHT DRAWING TO CURRENT STANDARDS.	N41261AA-DC

D101000A/12

X-ON Electronics

Largest Supplier of Electrical and Electronic Components

Click to view similar products for [Terminals](#) category:

Click to view products by [Panduit](#) manufacturer:

Other Similar products are found below :

[00-054007-01074-6](#) [00-054007-70206-1](#) [00-054007-70210-8](#) [00-054007-70217-7](#) [00-054007-70226-9](#) [00-054007-70228-3](#) [00-054007-70248-1](#) [00-054007-70256-6](#) [00-054007-70301-3](#) [00-054007-70316-7](#) [0-0320562-0](#) [00-054007-49560-4](#) [00-054007-70209-2](#) [00-054007-70225-2](#) [00-054007-70227-6](#) [00-054007-70231-3](#) [00-054007-70241-2](#) [00-054007-70242-9](#) [00-054007-70244-3](#) [00-054007-70246-7](#) [00-054007-70263-4](#) [00-054007-70288-7](#) [00-054007-70290-0](#) [00-054007-70300-6](#) [00-054007-70304-4](#) [01-2065-1-0216](#) [01-2900-1-04412](#) [00581P0075](#) [600TS-10](#) [60205-1](#) [604200-1](#) [605601-1](#) [60598-1-CUT-TAPE](#) [61314-6-C](#) [61810-3](#) [61-S](#) [61-SN](#) [626-0194](#) [62-NBM-A](#) [62-SN](#) [62-SP](#) [63-S](#) [640179-1](#) [M55155/059I03](#) [M55155/079C01](#) [M55155/099H02](#) [M55155/109H01](#) [M55155/109H02](#) [M55155/12XH05](#) [M55155/16XH02](#)