

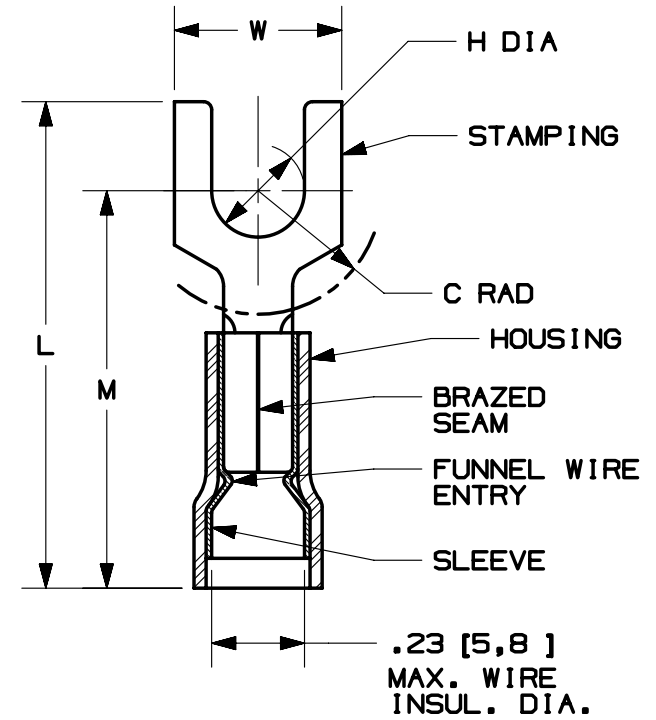
THIS COPY IS PROVIDED ON A RESTRICTED BASIS AND IS NOT TO BE USED IN ANY WAY DETRIMENTAL TO THE INTERESTS OF PANDUIT CORP.

| PANDUIT PART # | STUD SIZE |        | DIMENSIONS in. [mm] |               |               |               |               |
|----------------|-----------|--------|---------------------|---------------|---------------|---------------|---------------|
|                | ENGLISH   | METRIC | L ± .03 [0,8]       | W ± .01 [0,3] | C ± .02 [0,5] | M ± .03 [0,8] | H ± .01 [0,3] |
| PMNF1-3F*      | --        | M3     | .83 [21,1]          | .23 [5,8]     | .20 [5,1]     | .69 [17,5]    | .13 [3,3]     |
| PNF18-6F       | #6        | M3,5   | .80 [20,3]          | .30 [7,6]     | .22 [5,6]     | .66 [16,8]    | .15 [3,8]     |
| PNF18-8F       | #8        | M4     | .86 [21,8]          | .31 [7,9]     | .25 [6,4]     | .69 [17,5]    | .17 [4,3]     |
| PNF18-10F      | #10       | --     | .87 [22,1]          | .34 [8,6]     | .26 [6,6]     | .71 [18,0]    | .20 [5,1]     |
| PMNF1-5F*      | --        | M5     | .90 [22,9]          | .35 [8,9]     | .25 [6,4]     | .74 [18,8]    | .21 [5,3]     |
| PNF18-14F      | 1/4"      | M6     | 1.05 [26,7]         | .44 [11,2]    | .35 [8,9]     | .80 [20,3]    | .27 [6,9]     |

\* NOT UL LISTED OR CSA CERTIFIED

NOTES:

- USED FOR:
  - #22-18 AWG [0,5-1,0 mm<sup>2</sup>] STRANDED COPPER WIRE
  - 221°F [105°C] MAX. OPERATING TEMPERATURE
  - 600V. MAX. BLDG WIRE (1000 V. MAX. IN SIGNS, FIXTURES & LUMINAIRES)
- INSTALLATION TOOLS:
  - UL APPROVED: CT-100A, CT-1550, CT-1551
  - PANDUIT APPROVED: CT-160, CT-260, CT-400, CT-460, CT-600A (CT-550CH), CT-2500 (CT-2550CH)
- WIRE STRIP LENGTH: 7/32" <sup>1/32</sup> [5,6 <sup>1/32</sup>]
- MATERIAL:
  - STAMPING: .03" [0,8] THK COPPER, TIN PLATED
  - HOUSING: NYLON, RED
  - SLEEVE: BRASS, TIN PLATED
- SEE [www.panduit.com](http://www.panduit.com) FOR PACKAGE QUANTITIES INDICATED BY PART NUMBER SUFFIX
- DIMENSIONS IN BRACKETS ARE METRIC EQUIVALENT



LISTED  
587H  
E52164



CERTIFIED  
LR31212

| REV | DATE     | BY   | CHK  | APR | DESCRIPTION  | ECN    |
|-----|----------|------|------|-----|--|--------|
| 09  | 12.12.13 | JHNU | JHNU | RGB | REVISED NOTE 2B: CT-550CH WAS CT-520CH, CT-2550CH WAS CT-2525        | A41260 |
| 08  | 11.26.13 | JHNU | TMR  | RGB | INDICATED PART NUMBERS WHICH ARE NOT UL LISTED/CSA CERTIFIED         | A41260 |
| 07  | 09.19.12 | JBN  | LCA  | VMB | ADDED METRIC EQUIVALENT. REVISED NOTES. UPDATED TO CURRENT STANDARDS | A41260 |

|  |                 |
|--|-----------------|
| TITLE<br><b>FORK, NYLON (FUNNEL) INSULATED #22-18</b><br>CUSTOMER DRAWING  |                 |
| ITEM REVISION NAME<br>N41260BA/09  | <b>PANDUIT</b>  |
| DATASET FILE NAME<br>N41260BA_DC/09A   |                 |
| UNLESS OTHERWISE SPECIFIED, DIMENSIONAL TOLERANCES ARE: IN [mm]<br>.x ± .1 [2.54]    .xxx ± .005 [0.13]<br>.xx ± .01 [0.25]    ANGLES ± 5° |                 |
| THIRD ANGLE PROJECTION   |                 |
| DRAWING NUMBER:<br><b>A41260</b>   |                 |
| DRAWN BY<br>DAW  | DATE<br>-       |
| CHK<br>LA  | SCALE<br>N.T.S. |
| SHT 1 OF 1   |                 |
| SIZE<br><b>A</b>   |                 |

15/0000A/15

## X-ON Electronics

Largest Supplier of Electrical and Electronic Components

*Click to view similar products for [Terminals](#) category:*

*Click to view products by [Panduit](#) manufacturer:*

Other Similar products are found below :

[00-054007-01074-6](#) [00-054007-70206-1](#) [00-054007-70210-8](#) [00-054007-70217-7](#) [00-054007-70226-9](#) [00-054007-70228-3](#) [00-054007-70248-1](#) [00-054007-70256-6](#) [00-054007-70301-3](#) [00-054007-70316-7](#) [0-0320562-0](#) [00-054007-49560-4](#) [00-054007-70209-2](#) [00-054007-70225-2](#) [00-054007-70227-6](#) [00-054007-70231-3](#) [00-054007-70241-2](#) [00-054007-70242-9](#) [00-054007-70244-3](#) [00-054007-70246-7](#) [00-054007-70263-4](#) [00-054007-70288-7](#) [00-054007-70290-0](#) [00-054007-70300-6](#) [00-054007-70304-4](#) [01-2065-1-0216](#) [01-2900-1-04412](#) [00581P0075](#) [600TS-10](#) [60205-1](#) [604200-1](#) [605601-1](#) [60598-1-CUT-TAPE](#) [61314-6-C](#) [61810-3](#) [61-S](#) [61-SN](#) [626-0194](#) [62-NBM-A](#) [62-SN](#) [62-SP](#) [63-S](#) [640179-1](#) [M55155/059I03](#) [M55155/079C01](#) [M55155/099H02](#) [M55155/109H01](#) [M55155/109H02](#) [M55155/12XH05](#) [M55155/16XH02](#)