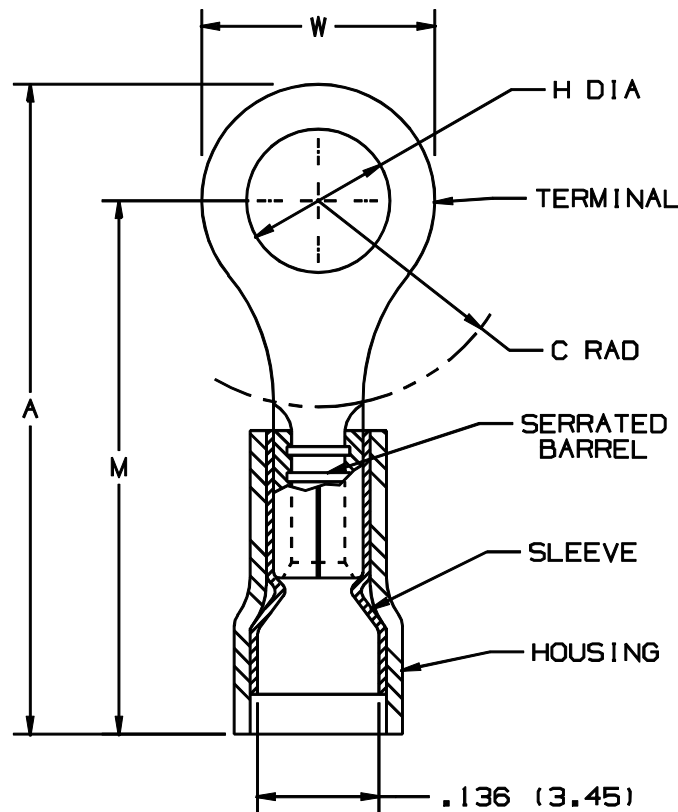


THIS COPY IS PROVIDED ON A RESTRICTED BASIS AND IS NOT TO BE USED IN ANY WAY DETRIMENTAL TO THE INTERESTS OF PANDUIT CORP.

PANDUIT PART NUMBER	STUD SIZE	DIMENSIONS in.				
		A ^{±.03}	W ^{±.01}	C ^{±.02}	M ^{±.03}	H ^{±.01}
PNF18-4R	#4	.77 (19.56)	.25 (6.35)	.20 (5.08)	.65 (16.51)	.12 (3.05)
PNF18-6R	#6	.77 (19.56)	.25 (6.35)	.20 (5.08)	.65 (16.51)	.15 (3.81)
PNF18-6RN	#6	.76 (19.30)	.22 (5.59)	.18 (4.57)	.63 (16.00)	.15 (3.81)
PNF18-8R	#8	.87 (22.10)	.31 (7.87)	.24 (6.10)	.72 (18.29)	.17 (4.32)
PNF18-10R	#10	.87 (22.10)	.32 (8.13)	.25 (6.35)	.72 (18.29)	.20 (5.08)
PNF18-14R	1/4"	1.08 (27.43)	.46 (11.68)	.38 (9.65)	.85 (21.59)	.27 (6.86)
PNF18-56R	5/16"	1.08 (27.43)	.46 (11.68)	.39 (9.91)	.85 (21.59)	.34 (8.64)
PNF18-38R	3/8"	1.16 (29.46)	.53 (13.46)	.41 (10.41)	.90 (22.86)	.40 (10.16)

NOTES:

- UL LISTED AND CSA CERTIFIED FOR:
 - 600V. MAX. VOLTAGE RATING (1000V. MAX. IN SIGNS, FIXTURES AND LUMINARIES)
 - #22-16 AWG SOLID OR STRANDED COPPER WIRE
 - 221° F (105° C) MAX. TEMP. RATING
- MATERIAL:
 - STAMPING - .032" (0.81) THK COPPER, TIN PLATED
 - HOUSING - NYLON, RED
 - SLEEVE - BRASS, TIN PLATED
- PACKAGE QTY: STD. PKG. - C=100
BULK PKG. - M=1000
- DIMENSIONS IN BRACKETS ARE IN MILLIMETERS
- INSTALLATION TOOLS:
 - UL LISTED AND CSA CERTIFIED: CT-100*, CT-250*, CT-400 (U.L. ONLY), CT-500, CT-550, CT-1550, CT-1551
 - PANDUIT APPROVED: CT-160*, CT-260*



LISTED 587H E52164
CERTIFIED LR31212

6. WIRE STRIP LENGTH: 7/32 ^{+1/32}/₀ (5.6 ^{±.8}/₀) * FOR USE WITH 22-18 AWG WIRE RANGE A41275_05

05	1/01	RM		FILESPEC WAS N41275AA_PCD_04						
4	12/96	JAME		ADDED DIM. "MIN WIRE INSUL. DIA." UPDATE NOTES	08788					
3	3/95	MS	RLS	UPDATED NOTES AND DIMENSIONS	03079	JB	LA	#22-18 BARREL NYLON INSULATED, FUNNELED WIRE ENTRY RING TONGUE, .136 (3.45) DIA. MAX. WIRE INSULATION DIAMETER	TINLEY PARK, ILLINOIS	
2	12-88	DM	LM	CORRECTED HOUSING MAT'L			JB	LM		
REV	DATE	BY	CHK	DESCRIPTION	ECN	PM	CUST	DRAWN BY DAW	SCALE LM	DRAWING NO A41275

X-ON Electronics

Largest Supplier of Electrical and Electronic Components

Click to view similar products for [Terminals](#) category:

Click to view products by [Panduit](#) manufacturer:

Other Similar products are found below :

[00-054007-01074-6](#) [00-054007-70206-1](#) [00-054007-70210-8](#) [00-054007-70217-7](#) [00-054007-70226-9](#) [00-054007-70228-3](#) [00-054007-70248-1](#) [00-054007-70256-6](#) [00-054007-70301-3](#) [00-054007-70316-7](#) [0-0320562-0](#) [00-054007-49560-4](#) [00-054007-70209-2](#) [00-054007-70225-2](#) [00-054007-70227-6](#) [00-054007-70231-3](#) [00-054007-70241-2](#) [00-054007-70242-9](#) [00-054007-70244-3](#) [00-054007-70246-7](#) [00-054007-70263-4](#) [00-054007-70288-7](#) [00-054007-70290-0](#) [00-054007-70300-6](#) [00-054007-70304-4](#) [01-2065-1-0216](#) [01-2900-1-04412](#) [00581P0075](#) [600TS-10](#) [60205-1](#) [604200-1](#) [605601-1](#) [60598-1-CUT-TAPE](#) [61314-6-C](#) [61810-3](#) [61-S](#) [61-SN](#) [626-0194](#) [62-NBM-A](#) [62-SN](#) [62-SP](#) [63-S](#) [640179-1](#) [M55155/059I03](#) [M55155/079C01](#) [M55155/099H02](#) [M55155/109H01](#) [M55155/109H02](#) [M55155/12XH05](#) [M55155/16XH02](#)