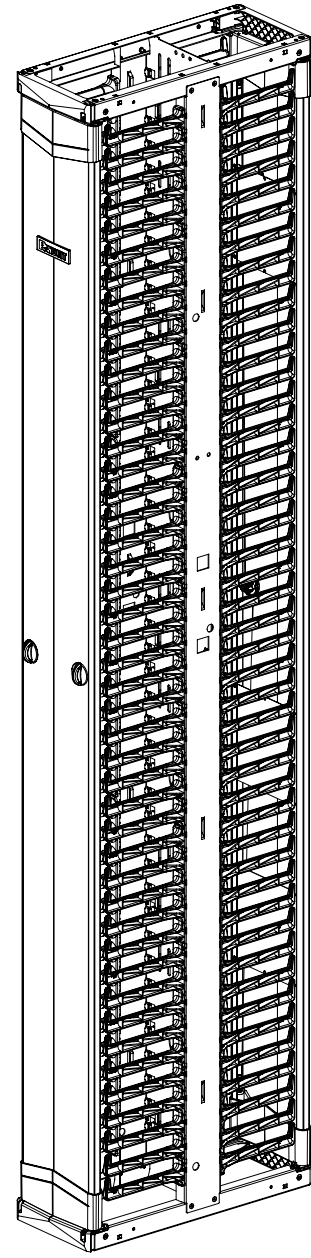
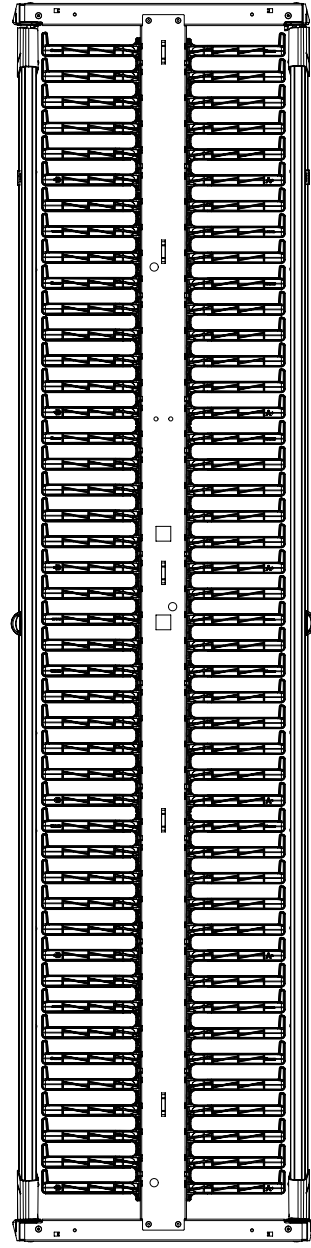
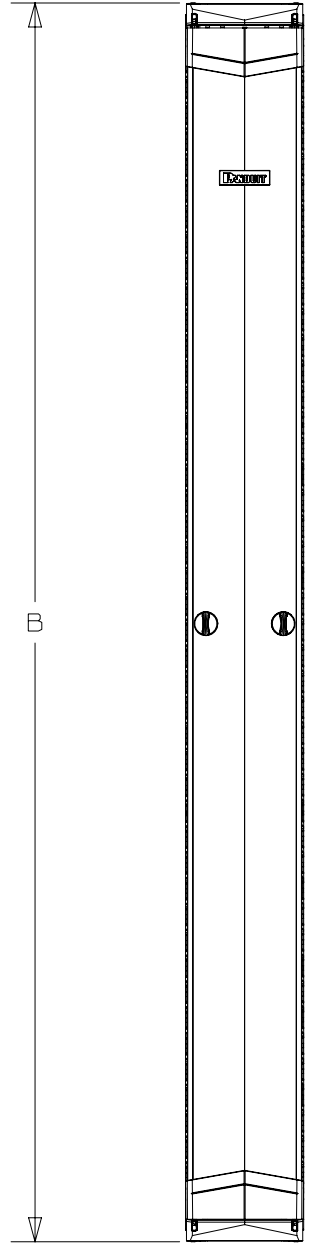


DISTANCE OF OPEN DOOR

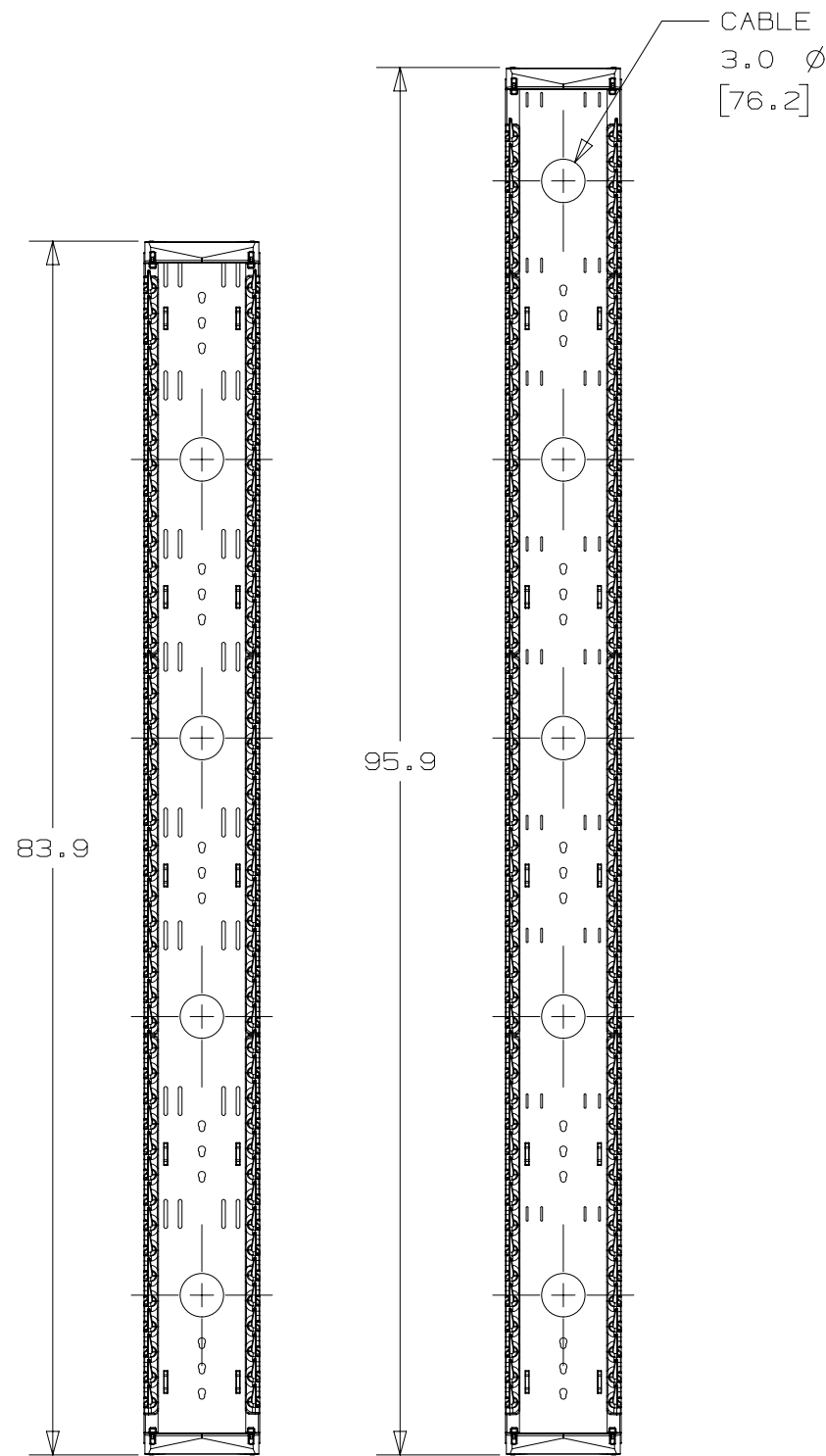


- NOTES:
- VISIT OUR ON-LINE CATALOG AT [WWW.PANDUIT.COM](http://WWW.PANDUIT.COM) FOR A LIST OF CURRENT PARTS APPLICABLE FOR USE WITH THIS PRODUCT.
  - DIMENSIONS IN [ ] ARE METRIC.
  - WEIGHT: SEE TABLE ON PAGE 3
  - PART INCLUDES:
    - 1- PATCHRUNNER 2 VERTICAL MANAGER, FRONT AND REAR FINGERS
    - 2- PATCHRUNNER 2 DUAL HINGE DOOR, FOR VERTICAL CABLE MANAGER
    - 1- HARDWARE KIT
  - CAN BE USED WITH ANY 19 OR 23 INCH EIA STANDARD RACK
  - ALL DIMENSIONS ARE REFERENCE ONLY.

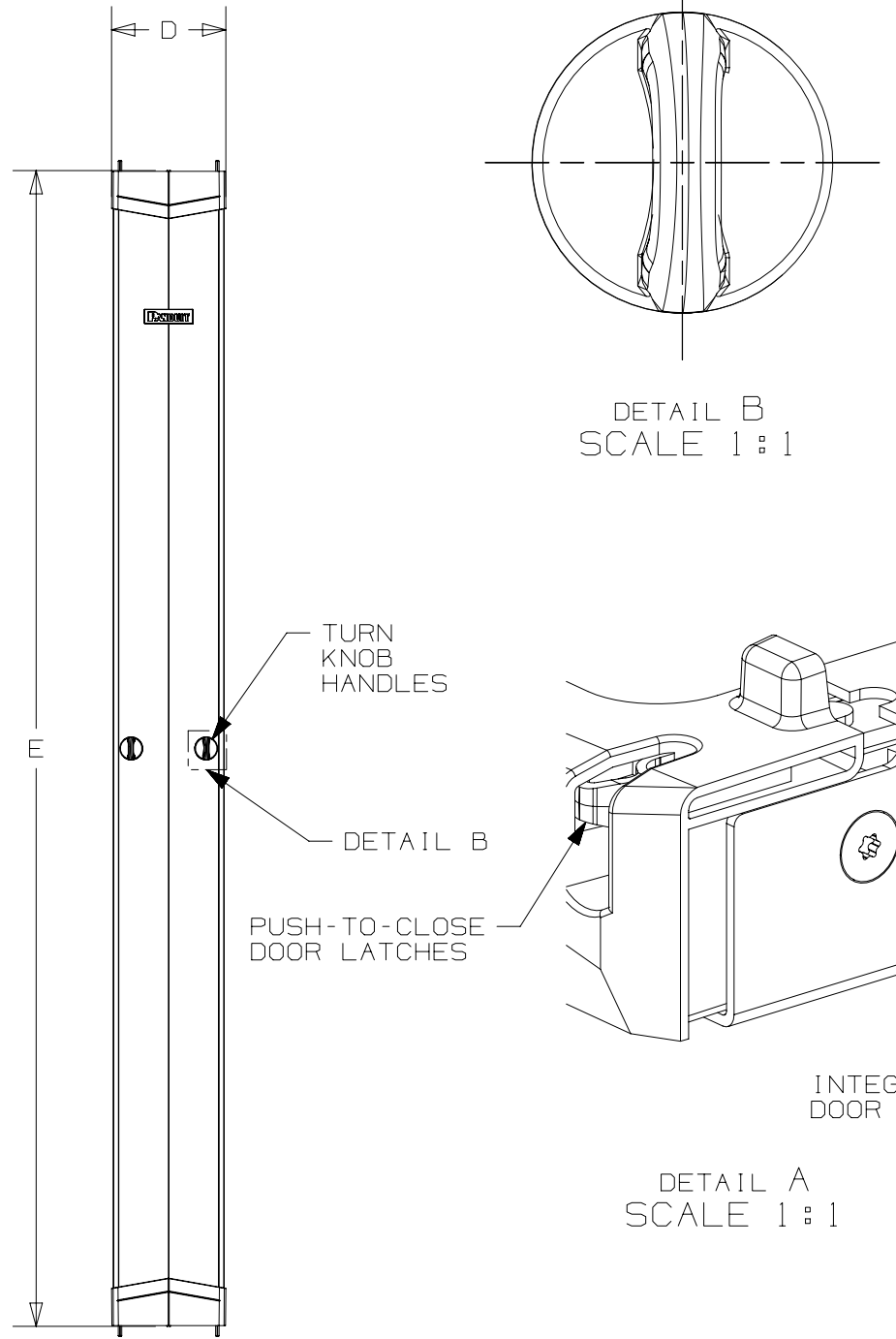
PART NUMBER		PR2VD**	
TITLE			
PATCHRUNNER 2 VERTICAL CABLE MANAGER, FRONT AND REAR FINGERS AND DOORS			
CUSTOMER DRAWING			
ITEM REVISION NAME	14V455LV/00		
DATASET FILE NAME	14V455LV_DC/00C		
MATERIAL:			<b>PANDUIT</b>
BACKBONE & DOOR SKIN: STEEL FINGERS, CROSSBARS, DOOR ENDS, DOOR KNOBS: ABS HINGE PINS & HINGE LATCHES: POLYCARBONATE			
DRAWING NUMBER:			14V455LV-DC
DRAWN BY	DATE	CHK	SCALE
BJN	10-24-17	JCO	NONE
THIRD ANGLE PROJECTION			SIZE
SHT 1 OF 3			B

REV	DATE	BY	CHK	APR	DESCRIPTION	ECN
00C	4-17-18	BJN	JCO	JEFK	ADDED ** TO 96" PART NUMBERS	14V455LV-DC

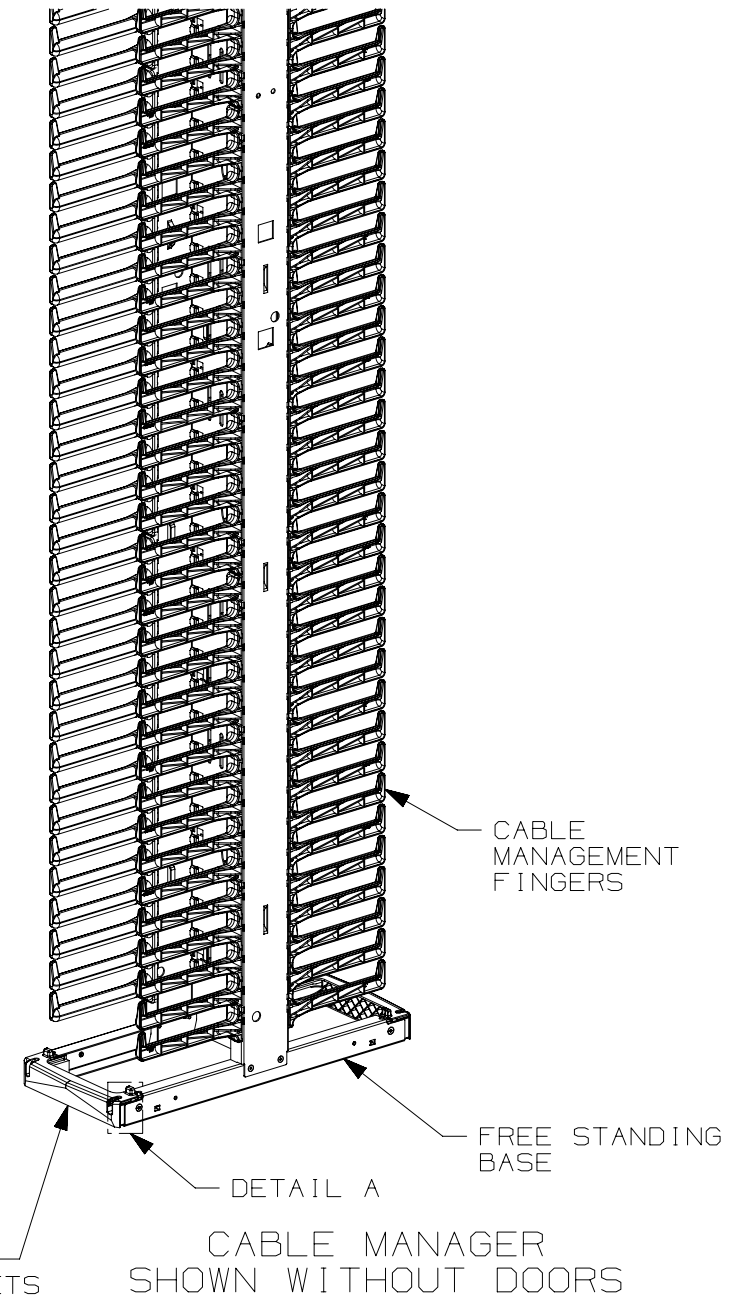
D10100DB/17



CABLE MANAGER SHOWN WITHOUT DOORS



DOOR



CABLE MANAGER SHOWN WITHOUT DOORS

PART NUMBER		PR2VD**		
TITLE		PATCHRUNNER 2 VERTICAL CABLE MANAGER, FRONT AND REAR FINGERS AND DOORS		
		CUSTOMER DRAWING		
ITEM REVISION NAME	14V455LV/00			
DATASET FILE NAME	14V455LV_DC/00C			
		<b>PANDUIT</b> MATERIAL: BACKBONE & DOOR SKIN: STEEL FINGERS, CROSSBARS, DOOR ENDS, DOOR KNOBS: ABS HINGE PINS & HINGE LATCHES: POLYCARBONATE		
		DRAWING NUMBER: 14V455LV-DC		
DRAWN BY	DATE	CHK	SCALE	THIRD ANGLE PROJECTION
BJN	10-24-17	JCO	NONE	
REV		DATE	BY	CHK
00C		4-17-18	BJN	JCO
DESCRIPTION		APR	SEE SHEET 1 FOR REVISION HISTORY	
ECN		14V455LV-DC		
DRAWING NUMBER:		SHT 2 OF 3		SIZE
14V455LV-DC				B

REV	DATE	BY	CHK	APR	DESCRIPTION	ECN
00C	4-17-18	BJN	JCO	JEFK	SEE SHEET 1 FOR REVISION HISTORY	14V455LV-DC

D10100DBV17



## X-ON Electronics

Largest Supplier of Electrical and Electronic Components

*Click to view similar products for [Racks & Rack Cabinet Accessories](#) category:*

*Click to view products by [Panduit](#) manufacturer:*

Other Similar products are found below :

[M00-PLN](#) [F2424](#) [8351-832-A-24](#) [9104](#) [9105](#) [PLFF2000](#) [H-9163-B](#) [1427C3](#) [HTS10](#) [PC-79](#) [SC10-3A](#) [SC4-28](#) [CG3-340S/12](#) [CP-001BK](#)  
[M6123-4007-SS](#) [TS170](#) [LP40](#) [5261304-07](#) [CG3-160G](#) [7112C-PLN](#) [ALUM](#) [CM10](#) [8610-3124-S-26](#) [TS81](#) [7142](#) [GP134](#) [M6125-4007-A-24](#)  
[M6127-4007-SS](#) [PBCOVER](#) [512](#) [AEG-4000G](#) [AEG-3000G](#) [HD99](#) [SR2-66A2](#) [FP10B4HP-1](#) [SR16-66A2](#) [FP52-2](#) [1406-1006-01](#) [29478](#)  
[TS2535](#) [TS169-6](#) [CAC2](#) [HA19-3U](#) [BR-19-10-1](#) [TS180](#) [CG3-ESD](#) [SC11-1](#) [CFS-1.00/2.20](#) [AX6145WM](#) [HEC0800PB](#) [ZC633R](#)