

Power Cord Retainers

specifications

Plug retention devices shall reduce the risk of equipment downtime due to accidental plug disconnection from Panduit POU's that embody a 2.00" or 2.25" width chassis. These retention devices shall be compatible with IEC 320 C13/C14 and IEC 320 C19/C20 outlet connectors and plug models for Panduit power cords. These devices shall be manufactured from steel wire, engage the POU chassis in the designated holes on either side of the chassis body, and contain features that prevent accidental insertion into an energized power outlet.



technical information

Material:	0.06" diameter steel wire
Halogen free:	Yes
RoHS compliant:	Yes

key features and benefits

Steel wire material	Ensures durable product suitable to retain power cords and prevent accidental disengagement
Leading-edge design	Enables application over plug once ends are inserted into POU chassis
End loops	Prevents accidental insertion into energized outlet
Doubled-back top design	Provides flexibility and compatibility with various power cords
Compact width	Allows for installation even when two POU's are installed beside each other

applications

The plug retention devices are designed to retain the Panduit IEC power cords in 2.00" and 2.25" Panduit POU chassis. These retention devices help manage risk in data

centers by enabling safe and secure power connections for greater reliability of the physical infrastructure.

Power Cord Wire Retainers

C13 for 2.00" POU body:	PRPC13W-2.0-X
C13 for 2.25" POU body:	PRPC13W-2.25-X
C19 for 2.00" POU body:	PRPC19Y-2.0-X
C19 for 2.25" POU body:	PRPC19Y-2.25-X

Related Products

Power Cords

IEC 320 C14 to IEC 320 C13:	PC14C13BL1.5*
IEC 320 C20 to IEC 320 C13:	PC20C13BL1.5*^
IEC 320 C20 to IEC 320 C19:	PC20C19BL3‡

*For gray power cords, replace BL with GY. For alternate cord length options, replace 1.5 (feet) with 2, 3, 4, 5, 6.5, 7, 8, 9, or 10.

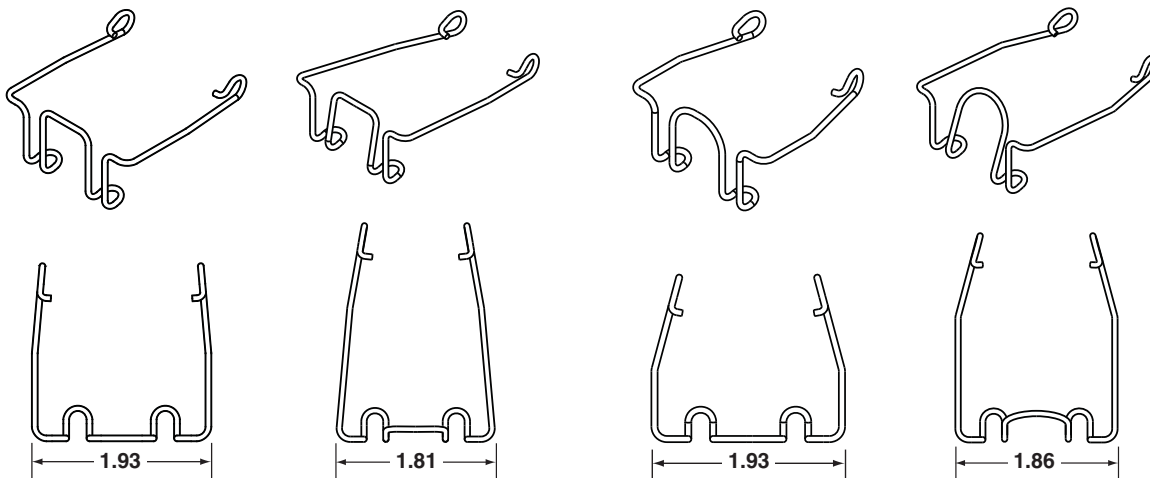
^Above power cords available in black only. For alternate cord length options, replace 1.5 (feet) with 3 or 6.

‡For gray power cords, replace BL with GY. For alternate cord length options, replace 3 (feet) with 4, 5, 6, or 8.

Power Cord Retainers

2.00" POU RETAINERS

2.25" POU RETAINERS



PRPC13W-2.0

PRPC19Y-2.0

PRPC13W-2.25

PRPC19Y-2.25

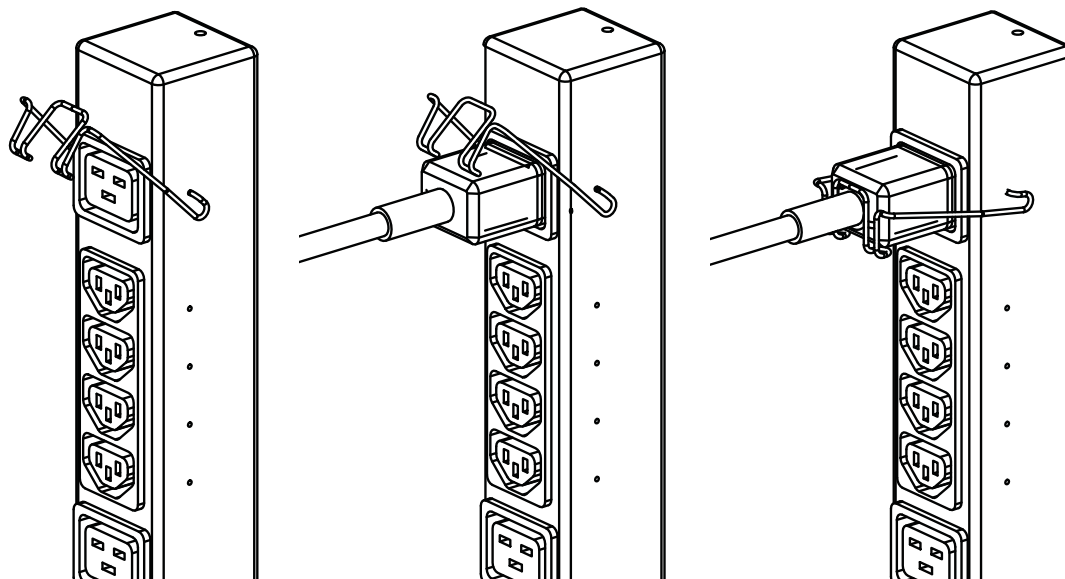


Figure shows PRPC19Y-2.0 installation on 2.00" PDU

WORLDWIDE SUBSIDIARIES AND SALES OFFICES

PANDUIT CANADA
Markham, Ontario
cs-cdn@panduit.com
Phone: 800.777.3300

PANDUIT EUROPE LTD.
London, UK
cs-emea@panduit.com
Phone: 44.20.8601.7200

PANDUIT SINGAPORE PTE. LTD.
Republic of Singapore
cs-ap@panduit.com
Phone: 65.6305.7575

PANDUIT JAPAN
Tokyo, Japan
cs-japan@panduit.com
Phone: 81.3.6863.6000

PANDUIT LATIN AMERICA
Guadalajara, Mexico
cs-la@panduit.com
Phone: 52.33.3777.6000

PANDUIT AUSTRALIA PTY. LTD.
Victoria, Australia
cs-aus@panduit.com
Phone: 61.3.9794.9020

For a copy of Panduit product warranties, log on to www.panduit.com/warranty

For more information

Visit us at www.panduit.com

Contact Customer Service by email: cs@panduit.com
or by phone: 800.777.3300

PANDUIT[®]

©2013 Panduit Corp.
ALL RIGHTS RESERVED.
PVSP88--WW-ENG
2/2013

X-ON Electronics

Largest Supplier of Electrical and Electronic Components

Click to view similar products for [Power Outlet Strips](#) category:

Click to view products by [Panduit](#) manufacturer:

Other Similar products are found below :

[G20IG606](#) [1301430288](#) [1301430321](#) [1447B163](#) [UL602CB-6](#) [UL7408-6](#) [ULHC4-15](#) [V20IG606](#) [UL2063BD](#) [TSB](#) [4748.03](#) [4309](#) [UL7208-15](#) [3083](#) [3050F](#) [3090](#) [1301350158](#) [1301350173](#) [3085-10](#) [DAPI-USEU](#) [1583H8B1BKV](#) [1589H77D1JV](#) [1589H77G1JV](#) [1589H8D1BKRRV](#) [1589H8G1BKRRV](#) [DTEL2](#) [TLP712B](#) [STRIKER](#) [TLM825SA](#) [UL620-15](#) [3SP](#) [1301370166](#) [130143-0153](#) [1301370216](#) [602](#) [6SP](#) [1584B10](#) [1589H48G1](#) [1589T6D1](#) [1301350185](#) [1301350186](#) [1301350187](#) [1301350197](#) [1301350233](#) [1301350234](#) [1301350201](#) [1301350207](#) [1301350209](#) [1301350211](#) [1301350213](#)