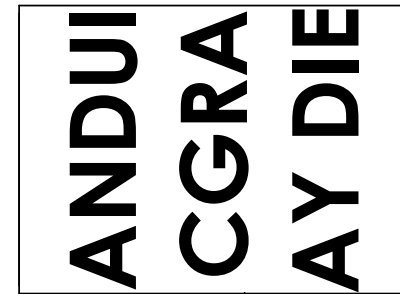


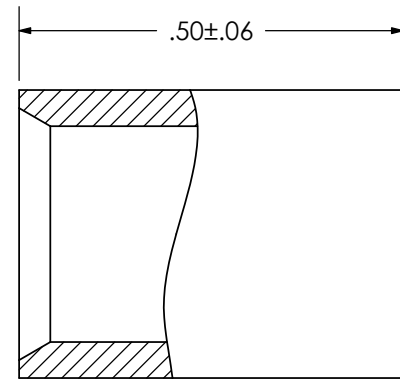
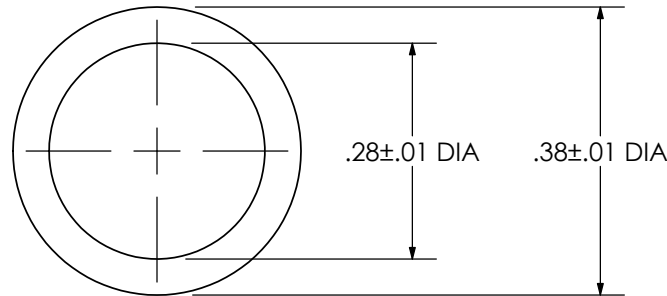
THIS COPY IS PROVIDED ON A RESTRICTED BASIS AND IS NOT TO BE USED IN ANY WAY DETRIMENTAL TO THE INTERESTS OF PANDUIT CORP.

| | |
|---------------------------------|--|
| Material | High Conductivity Seamless Copper Tube |
| Plating | Electro-Tin |
| Wire Type | Stranded Copper; Class B: Compact, Compressed or Concentric, Class C: Concentric |
| Wire Strip Length | 7/16 in. |
| UL Listed Wire Connector | Yes, for applications up to 35kv. Consult cable manufacturer for voltage stress relief instructions with applications greater than 2000 volts. |
| UL Temperature Rating | 90° C |
| C.S.A Certified Wire Connector | Yes |
| Panduit Color Code on Barrel | GRAY |
| Panduit Die Index No. on Barrel | P29 |

| WIRE SIZE/COMBINATIONS | | |
|----------------------------|-----------------------------|----------------------------|
| (3) #12 str w/ (2) #14 str | (1) #6 str w/ (1) #10 str | (1) #6 str w/ (1) #8 str |
| (1) #10 str w/ (3) #12 str | (2) #8 str w/ (1) #14 str | (2) #8 str w/ (1) #10 str |
| (3) #10 str | (1) #8 str w/ (2) #10 str | (3) #10 str w/ (3) #14 str |
| (3) #12 str w/ (3) #14 str | (3) #10 str. w/ (1) #12 str | (3) #10 str w/ (2) #12 str |
| (5) #12 str | (1) #6 str w/ (3) #14 str | (2) #8 str w/ (3) #14 str |
| (2) #8 str | (6) #12 str | (2) #8 str w/ (2) #12 str |
| (2) #10 str w/ (3) #14 str | (1) #6 str w/ (2) #12 str | (1) #6 str w/ (3) #12 str |
| (1) #6 str w/ (1) #12 str | (3) #10 str w/ (2) #14 str | (1) #4 str w/ (1) #14 str |
| (2) #10 str w/ (2) #12 str | (2) #8 str w/ (1) #12 str | (1) #6 str w/ (2) #10 str |
| (1) #6 str w/ (2) #14 str | (2) #10 str w/ (3) #12 str | (1) #4 str w/ (2) #14 str |
| (3) #10 str w/ (1) #14 str | (2) #8 str w/ (2) #14 str | |
| (1) #8 str w/ (3) #12 str | (4) #10 str | |



Color coded barrel markings



CERTIFIED



LISTED Wire Connector

| REV | DATE | BY | CHK | DESCRIPTION | ECN |
|-----|------|------|------|------------------------|---------|
| 01 | 4/07 | JHNU | TLCO | REVISED BARREL MARKING | PC00728 |

PANDUIT CORP. TINLEY PARK, ILLINOIS

PSCGRY-L
Parallel Splice

SCALE N/A

DRAWING NO / CAD FILE

PSCGRY-CUST

X-ON Electronics

Largest Supplier of Electrical and Electronic Components

Click to view similar products for [Terminals](#) category:

Click to view products by [Panduit](#) manufacturer:

Other Similar products are found below :

[00-054007-01074-6](#) [00-054007-70206-1](#) [00-054007-70210-8](#) [00-054007-70217-7](#) [00-054007-70226-9](#) [00-054007-70228-3](#) [00-054007-70248-1](#) [00-054007-70256-6](#) [00-054007-70301-3](#) [00-054007-70316-7](#) [0-0320562-0](#) [00-054007-49560-4](#) [00-054007-70209-2](#) [00-054007-70225-2](#) [00-054007-70227-6](#) [00-054007-70231-3](#) [00-054007-70241-2](#) [00-054007-70242-9](#) [00-054007-70244-3](#) [00-054007-70246-7](#) [00-054007-70263-4](#) [00-054007-70288-7](#) [00-054007-70290-0](#) [00-054007-70300-6](#) [00-054007-70304-4](#) [01-2065-1-0216](#) [01-2900-1-04412](#) [00581P0075](#) [600TS-10](#) [60205-1](#) [604200-1](#) [605601-1](#) [60598-1-CUT-TAPE](#) [61314-6-C](#) [61810-3](#) [61-S](#) [61-SN](#) [626-0194](#) [62-NBM-A](#) [62-SN](#) [62-SP](#) [63-S](#) [640179-1](#) [M55155/059I03](#) [M55155/079C01](#) [M55155/099H02](#) [M55155/109H01](#) [M55155/109H02](#) [M55155/12XH05](#) [M55155/16XH02](#)