



Extended Reach 10Gig™ SFP+ Direct Attach Active Copper Cable Assemblies

Low Power, Low Latency 10 Gb/s Server Interconnect Solution

As virtualization, consolidation, and convergence initiatives continue to grow, so do the demands placed on the physical infrastructure. To meet the needs for faster processing speeds, low power server inter-connect and I/O consolidation deployments, Panduit offers 10Gig™ SFP+ Direct Attach Active Copper Cable Assemblies.

These active SFP+ copper cable assemblies contain low power circuitry in the connector to boost the signal and are driven from the port without additional power requirements. They provide a low cost alternative to optical transceivers, and are generally used for end of row or middle of row data center architectures for interconnect distances of up to 10 meters (33 feet).

End-to-end High Speed Data Transport (HSDT) solutions from Panduit deliver enhanced availability, agility, and security. Visit www.panduit.com/hsdt to learn more about how these solutions help customers manage risk across their physical infrastructure.

Key Features	Benefits
Low latency performance	Ideal for high performance computer clustering and other latency sensitive applications
Low power active circuitry	Provides a low cost interconnect alternative to optical transceivers that can be driven off the existing port power
Small diameter cable design	Enables proper cable management and improved air flow
Built-in strain relief	Ensures proper bend radius control for reliable deployment
Robust construction	High speed 10 GHz twin-axial cable, with two shielded parallel pairs, factory terminated to SFP+ 10 Gb/s hot pluggable modular connectors; rated to a minimum 250 mating cycles
Variety of extended reach lengths	Available in 3, 5 meters and 7 to 10 (one meter increments) for design flexibility in combination with end of row and middle of row deployment
100% performance tested	Confidence that each assembly delivers specified performance for ensured network availability
Compliant to SFF-8431, SFF-8432 and SFF-8472	Ensuring 10 Gb/s performance when mated to any SFF-8431 SFP+ compliant host port
High density deployment	Robust easy-to-use latching feature allows high density belly-to-belly installation and deployments
Variety of colors	Available in Blue, White, Black, Red, and Green for easy identification of multiple networks and fabrics
Part of the Panduit Unified Physical InfrastructureSM solution	Designed to be integrated with Panduit NetAccess™ Cabinets for design flexibility, improved thermal and cable management

Key Applications Include:

- End of Row/Middle of Row Switching architectures
- I/O Consolidation and server virtualization
- Fibre Channel over Ethernet (FCoE)
- 10 Gigabit Ethernet
- 10 GbE High Performance Computer Clusters

Extended Reach 10Gig™ SFP+ Direct Attach Active Copper Cable Assemblies

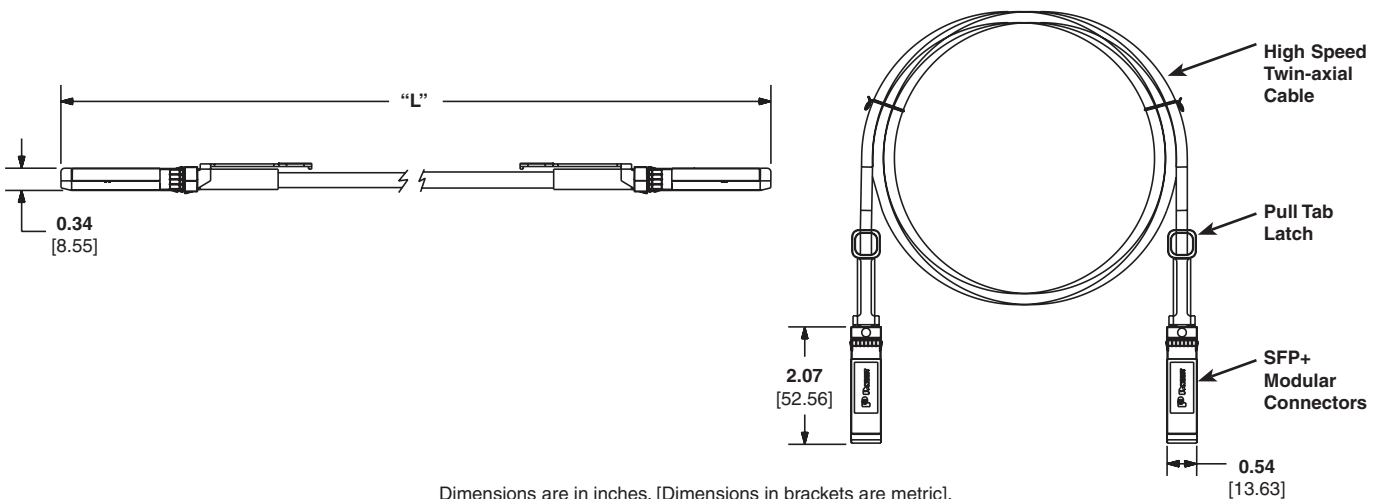
Technical/Performance Information

Characteristic impedance	100 +/- 5 Ω
Operating temperature	0°C to 70°C (32°F to 158°F)
Non-operating temperature	-40°C to 85°C (-40°F to 185°F)
IEC flame compliance	IEC 60332-3-24
Bend radius	5 x O.D. single time, 10 x O.D. repeated times
Insertion force to cage	18N (4 lbf.) maximum
Withdrawal force from cage	12.5N (2.8 lbf.) maximum
Retention force	90 – 170 N (20 – 38 lbf.)
ROHS status	Compliant
Durability	250 mating cycles minimum
Power per end	0.5 W maximum

Ordering Information

Part Number	Length (m)	Length (Ft.)	Cable Gauge	Cable Gauge		Cable Jacket
				mm	In.	
PSF1AXA3MBU	3	9.84	30 AWG	4.1	1.61	PVC
PSF1AXA5MBU	5	16.40	30 AWG	4.1	1.61	PVC
PSF1AXD7MBU	7	22.97	24 AWG	6	0.23	PVC
PSF1AXD8MBU	8	26.25	24 AWG	6	0.23	PVC
PSF1AXD9MBU	9	29.53	24 AWG	6	0.23	PVC
PSF1AXD10MBU	10	32.81	24 AWG	6	0.23	PVC

Note: For standard cable colors other than BU (Blue), replace BU in part number with WH (White), BL (Black), RD (Red), or GR (Green). Gray pull tab release represents an active SFP+ cable assembly.



WORLDWIDE SUBSIDIARIES AND SALES OFFICES

PANDUIT US/CANADA
cs@panduit.com
Phone: 800.777.3300

PANDUIT EUROPE LTD.
London, UK
cs-emea@panduit.com
Phone: 44.20.8601.7200

PANDUIT SINGAPORE PTE. LTD.
Republic of Singapore
cs-ap@panduit.com
Phone: 65.6305.7575

PANDUIT JAPAN
Tokyo, Japan
cs-japan@panduit.com
Phone: 81.3.6863.6000

PANDUIT LATIN AMERICA
Guadalajara, Mexico
cs-la@panduit.com
Phone: 52.33.3777.6000

PANDUIT AUSTRALIA PTY. LTD.
Victoria, Australia
cs-aus@panduit.com
Phone: 61.3.9794.9020

For a copy of Panduit product warranties, log on to www.panduit.com/warranty

For more information

Visit us at www.panduit.com

Contact Customer Service by email: cs@panduit.com
or by phone: 800.777.3300

PANDUIT®

©2015 Panduit Corp.
ALL RIGHTS RESERVED.
COCB04--WW-ENG
Replaces WW-COCB23
7/2015

X-ON Electronics

Largest Supplier of Electrical and Electronic Components

Click to view similar products for [Wire Ducting](#) category:

Click to view products by [Panduit](#) manufacturer:

Other Similar products are found below :

[66200A-10](#) [CVED32VEPG](#) [CVED40VEPG](#) [F512D5-5F140Y](#) [F512D5-5F200Y](#) [F512D5-5F26Y](#) [F512D5-5F30Y](#) [F512D5-5F33Y](#) [F512D5-5F34Y](#) [F512D5-5F45Y](#) [F512D5-5F50Y](#) [F512D5-5F54Y](#) [F512D5-5F66Y](#) [F512D5-5F70Y](#) [F512D5-5F75Y](#) [F512D5-5F90Y](#) [F612D5-5F100Y](#) [F612D5-5F130Y](#) [F612D5-5F50Y](#) [F612D5-5F56Y](#) [F612D5-5F58Y](#) [F6L12D5-5F46](#) [F912D5-5F11Y](#) [F912D5-5F170Y](#) [F912D5-5F175Y](#) [F912D5-5F230Y](#) [F912D5-5F300Y](#) [F912D5-5F55Y](#) [F912D5-5F56Y](#) [F912D5-5F63Y](#) [F912D5-5F6Y](#) [F912D5-5F75Y](#) [F912D5-5F85Y](#) [F912D5-5F86Y](#) [F912D5-5F88Y](#) [F912D5-5F96Y](#) [FAP0047WBLMTP](#) [FAP12WBRDRDDLZ](#) [FAP12WDYLYLDLZ](#) [FAP12WEORORDLZ](#) [FAP6WEORORDLZ](#) [FAP6WFDBDBDLZ](#) [FAP8WEORORDLZ](#) [FCE2UWCL](#) [800A-LB](#) [802A-ECSP](#) [802I-ICSP](#) [FJQADH](#) [FJQFXT](#) [PED10](#)