

THIS COPY IS PROVIDED ON A RESTRICTED BASIS AND IS NOT TO BE USED IN ANY WAY DETRIMENTAL TO THE INTERESTS OF PANDUIT CORP.

NOTES:

1. SEE CURRENT CATALOG TO INDICATE PACKAGE QUANTITY.
2. SEE CATALOG FOR COMPLETE LIST OF PARTS APPLICABLE FOR USE WITH THIS PART.
3. PRODUCT DESCRIPTION:
 - A. 1 LANE, 10 Gbps/LANE
 - B. STANDARD SFP+ CONNECTOR
 - C. CL2 RATED JACKET
 - D. JACKET COLOR: BLUE (BU), WHITE (WH), BLACK (BL), RED (RD) OR GREEN (GR)
4. MATES WITH SFP+ SFF-8431 INTERFACE
5. CABLE LABEL CONTAINS PRODUCT DESCRIPTION, PART NUMBER, LENGTH AND WIRE GAUGE, AND MANUFACTURING SERIAL NUMBER.

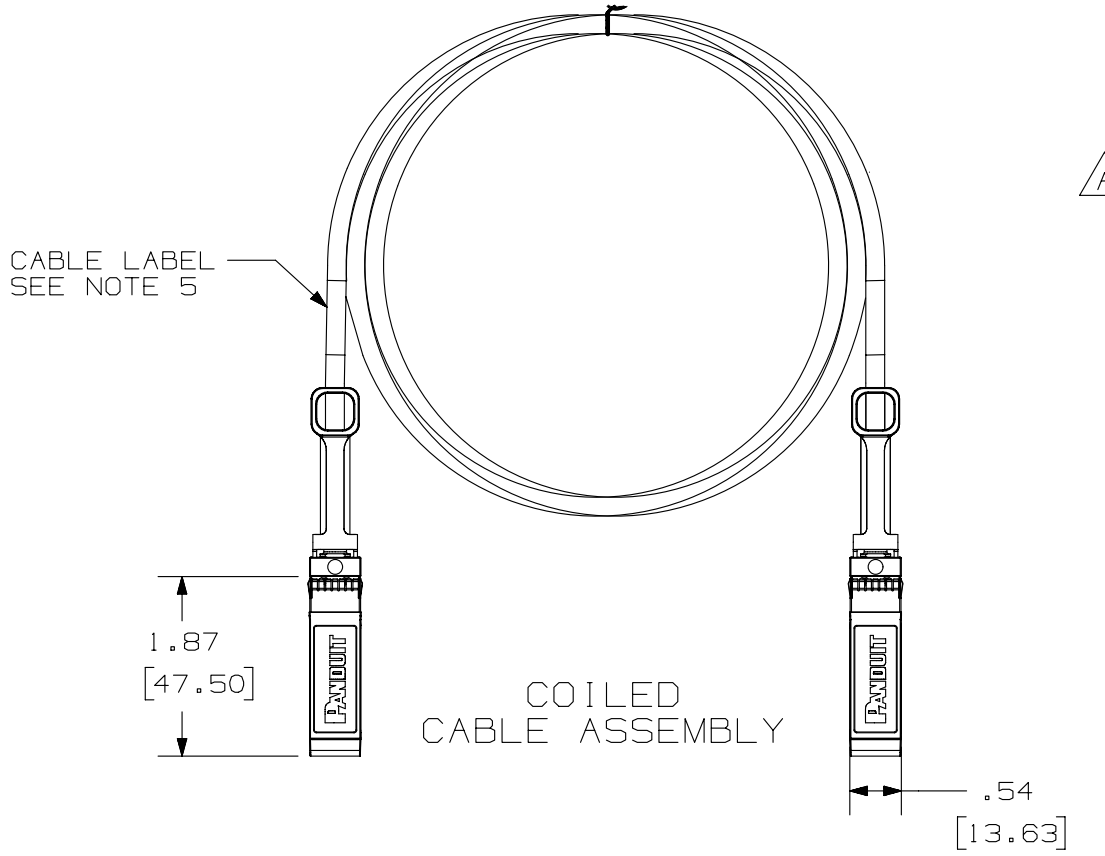
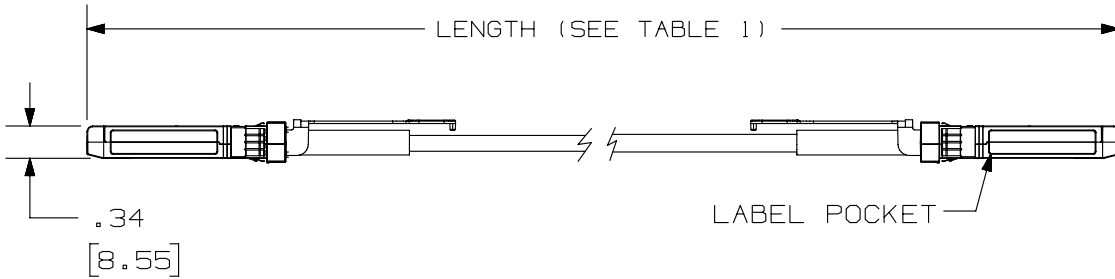


TABLE 1
CABLE ASSEMBLY

PART NUMBER	LENGTH METERS (+.15, -0)	LENGTH FEET (+.5, -0)	CABLE AWG	WEIGHT LBS
PSF1PXA0.5M**	0.5	1.64	30	0.10
PSF1PXA1M**	1	3.28	30	0.13
PSF1PXA1.5M**	1.5	4.92	30	0.16
PSF1PXA2M**	2	6.56	30	0.19
PSF1PXA2.5M**	2.5	8.20	30	0.22
PSF1PXA3M**	3	9.84	30	0.24
PSF1PXA3.5M**	3.5	11.48	30	0.27
PSF1PXD3.5M**N	3.5	11.48	24	0.35
PSF1PXD4M**	4	13.12	24	0.49
PSF1PXD4.5M**	4.5	14.76	24	0.55
PSF1PXD5M**	5	16.40	24	0.60
PSF1PXD5.5M**	5.5	18.04	24	0.65
PSF1PXD6M**	6	19.69	24	0.70
PSF1PXD6.5M**	6.5	21.33	24	0.75
PSF1PXD7M**	7	22.97	24	0.81



**CABLE COLOR IN BLUE (BU), WHITE (WH), BLACK (BL), RED (RD), GREEN (GR), OR ORANGE (OR)

PART NUMBER	SEE TABLE 1	PRODUCT SPEC/PKG SPEC	N/A
I.I. NUMBER	N/A	WORK INSTRUCTION	N/A
TITLE			
SFP+ PASSIVE CABLE ASSEMBLY			
CUSTOMER DRAWING			
ITEM REVISION NAME		M03075FF/00	
DATASET FILE NAME		M03075FF_DC18/00F	
UNLESS OTHERWISE SPECIFIED, DIMENSIONAL TOLERANCES ARE: IN [mm]		MATERIAL:	
.x ± .1 [2.54]		.xxx ± .005 [0.127]	
.xx ± .01 [0.25]		ANGLES ± 5°	
DRAWN BY		THIRD ANGLE PROJECTION	
DATE		DRAWING NUMBER:	
10-09-08		03075-18	
CHK	SCALE	SHT 1 OF 2	SIZE
WFM	NONE		A

REV	DATE	BY	CHK	APR	DESCRIPTION	ECN
5	8/21/14	JSP	REFR	FMS	B. ADDED ORANGE CABLES.	03075-18
4	7-15-13	BJN	JAV	FMS	A. ADDED RED & GREEN CABLE COLORS REVISED & REDRAWN PREVIOUS HISTORY REMVD FOR CLARITY	03075-18

D10100DA/14

X-ON Electronics

Largest Supplier of Electrical and Electronic Components

Click to view similar products for [Panduit](#) manufacturer:

Other Similar products are found below :

[CF502550F-Q](#) [PK14-8R-X](#) [PK10-56R-L](#) [PCV-110CY](#) [PSL-SCBD-EI](#) [CBX4AW-AY](#) [CBXS2AW-A](#) [CS25-18SL-CY](#) [CFPFLS2SAW](#) [PK10-10R-X](#) [PUM-925-C0](#) [SICH38-C](#) [SICH25-C](#) [CCS19-S8-X](#) [CCH57-S12-M30](#) [PCMBR-13](#) [PCPA11IW](#) [CRE32](#) [M200X042UPT](#)
[M200X050ACT](#) [M200X080FQT](#) [M200X100ACT](#) [M200X100AIT](#) [CRTW](#) [CSVBP](#) [CT-1000](#) [CT-1004](#) [CT-1104](#) [CT-2550CH](#) [CT-2570CH](#)
[M300X050ACT](#) [M300X100ACT](#) [CT-900HPH](#) [CUFB48BL](#) [CVED32VE](#) [CVED32VEPG](#) [CVED40VEN](#) [CVED40VEPG](#) [CWF400](#)
[CWMPV2340](#) [CWMPV2440](#) [CWMPV3340](#) [CWMPV3440](#) [CWST](#) [MBEH-TLR](#) [MBH-MR](#) [MBH-MR316](#) [MBH-TLR316](#) [MBSH-TR](#) [MBS-MR](#)