

THIS COPY IS PROVIDED ON A RESTRICTED BASIS AND IS NOT TO BE USED IN ANY WAY DETRIMENTAL TO THE INTERESTS OF PANDUIT CORP.

NOTES:

1. SEE CURRENT CATALOG TO INDICATE PACKAGE QUANTITY.
2. SEE CATALOG FOR COMPLETE LIST OF PARTS APPLICABLE FOR USE WITH THIS PART.
3. PRODUCT DESCRIPTION:
 - A. 1 LANE, 10 Gbps/LANE
 - B. STANDARD SFP+ CONNECTOR
 - C. CL2 RATED JACKET
 - D. JACKET COLOR: BLUE (BU), WHITE (WH), BLACK (BL), RED (RD) OR GREEN (GR)
4. MATES WITH SFP+ SFF-8431 INTERFACE
5. CABLE LABEL CONTAINS PRODUCT DESCRIPTION, PART NUMBER, LENGTH AND WIRE GAUGE, AND MANUFACTURING SERIAL NUMBER.

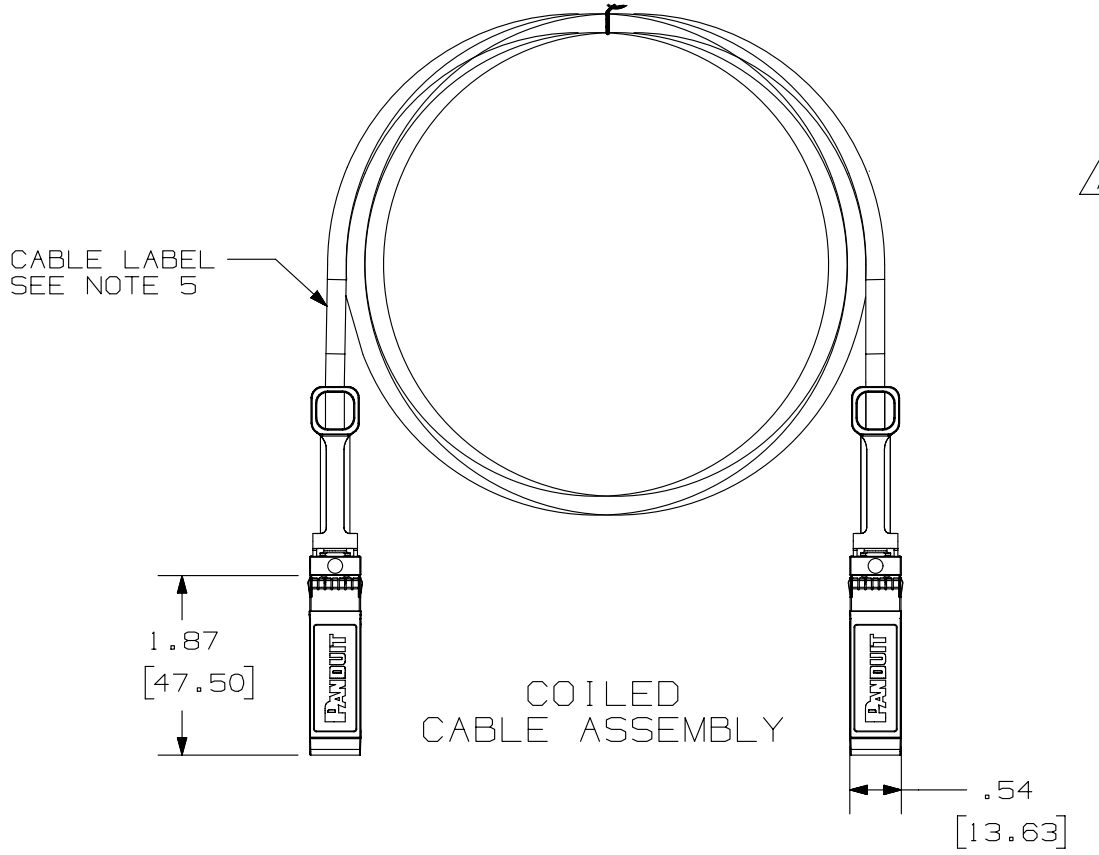
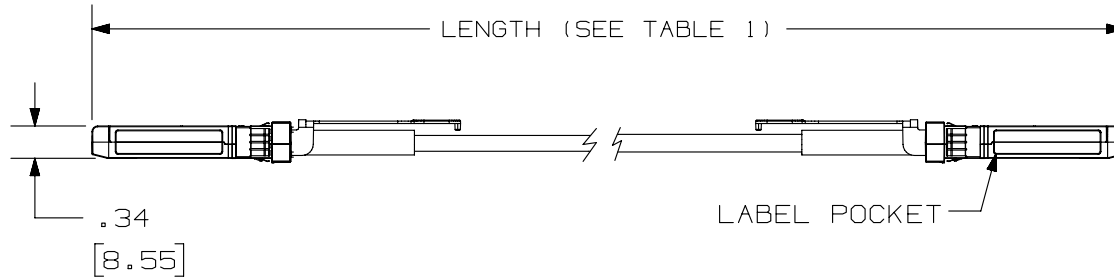


TABLE 1
CABLE ASSEMBLY

| PART NUMBER | LENGTH METERS (+.15, -0) | LENGTH FEET (+.5, -0) | CABLE AWG | WEIGHT LBS |
|----------------|--------------------------|-----------------------|-----------|------------|
| PSF1PXA0.5M** | 0.5 | 1.64 | 30 | 0.10 |
| PSF1PXA1M** | 1 | 3.28 | 30 | 0.13 |
| PSF1PXA1.5M** | 1.5 | 4.92 | 30 | 0.16 |
| PSF1PXA2M** | 2 | 6.56 | 30 | 0.19 |
| PSF1PXA2.5M** | 2.5 | 8.20 | 30 | 0.22 |
| PSF1PXA3M** | 3 | 9.84 | 30 | 0.24 |
| PSF1PXA3.5M** | 3.5 | 11.48 | 30 | 0.27 |
| PSF1PXD3.5M**N | 3.5 | 11.48 | 24 | 0.35 |
| PSF1PXD4M** | 4 | 13.12 | 24 | 0.49 |
| PSF1PXD4.5M** | 4.5 | 14.76 | 24 | 0.55 |
| PSF1PXD5M** | 5 | 16.40 | 24 | 0.60 |
| PSF1PXD5.5M** | 5.5 | 18.04 | 24 | 0.65 |
| PSF1PXD6M** | 6 | 19.69 | 24 | 0.70 |
| PSF1PXD6.5M** | 6.5 | 21.33 | 24 | 0.75 |
| PSF1PXD7M** | 7 | 22.97 | 24 | 0.81 |

**CABLE COLOR IN BLUE (BU), WHITE (WH), BLACK (BL), RED (RD), GREEN (GR), OR ORANGE (OR)



| | | | |
|----------------------------------------------------------------------------------------|-------------|------------------------|-------|
| PART NUMBER | SEE TABLE 1 | PRODUCT SPEC/PKG SPEC | N/A |
| I.I. NUMBER | N/A | WORK INSTRUCTION | N/A |
| TITLE | | | |
| SFP+ PASSIVE CABLE ASSEMBLY | | | |
| CUSTOMER DRAWING | | | |
| ITEM REVISION NAME | | PANDUIT | |
| M03075FF/00 | | | |
| DATASET FILE NAME | | | |
| M03075FF_DC18/00F | | MATERIAL: | |
| UNLESS OTHERWISE SPECIFIED, DIMENSIONAL TOLERANCES ARE: IN [mm] | | DRAWING NUMBER: | |
| .x ± .1 [2.54] .xxx ± .005 [.127] | | 03075-18 | |
| .xx ± .01 [.25] ANGLES ± 5 ° | | THIRD ANGLE PROJECTION | |
| DRAWN BY | DATE | CHK | SCALE |
| MDJr | 10-09-08 | WFMI | NONE |
| REV | DATE | BY | CHK |
| 5 | 8/21/14 | JSP | REFR |
| 4 | 7-15-13 | BJN | JAV |
| DESCRIPTION | | | |
| B. ADDED ORANGE CABLES. | | | |
| A. ADDED RED & GREEN CABLE COLORS REVISED & REDRAWN PREVIOUS HISTORY REMVD FOR CLARITY | | | |
| ECN | | | |
| SHT 1 OF 2 | | | |
| A | | | |

D10100DA/14

X-ON Electronics

Largest Supplier of Electrical and Electronic Components

Click to view similar products for [Wire Ducting & Raceways](#) category:

Click to view products by [Panduit](#) manufacturer:

Other Similar products are found below :

[FG5EI25-A](#) [PED12](#) [PED8](#) [PEVEP](#) [FXOE3-10M3](#) [FZD3-3M2](#) [FZLE10-10M2](#) [FZOE10-10M1](#) [FZOLE10-10M2](#) [FZPE3-10M2](#) [923223-000](#)
[PRAF6WH-X](#) [A0405538](#) [1301150342](#) [1301230083](#) [1301150343](#) [1301230086](#) [1301240054](#) [AX101472](#) [AX102652](#) [AX102653](#) [AX102737](#)
[S62DS](#) [S65DS](#) [S75DSH](#) [A0405536](#) [A0405537](#) [A0649869](#) [FXOD3-3M1](#) [FXOE10-10M2](#) [FZLD3-3M2](#) [FZOE3-10M1](#) [FZOE3-10M2](#)
[FZOLE3-10M2](#) [FZOPE10-10M1](#) [FZPD3-3M2](#) [PZRFE4](#) [PZWIFIEN](#) [PZWIFIENA](#) [CNPSNH](#) [CNSPC](#) [5400ES](#) [WDLT-1216-72](#) [655287-000](#)
[S75DS](#) [1301180028](#) [801A-LSP](#) [TGECAW](#) [206461-000](#) [853425-000](#)