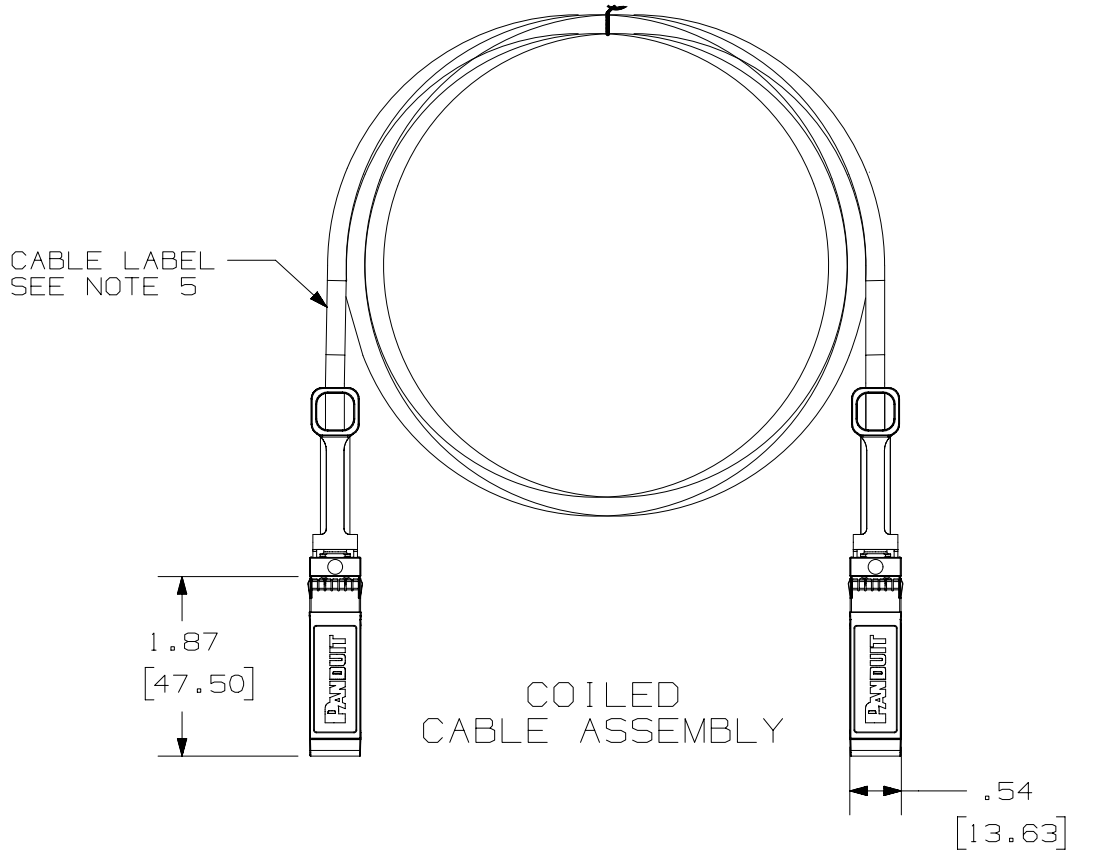


THIS COPY IS PROVIDED ON A RESTRICTED BASIS AND IS NOT TO BE USED IN ANY WAY DETRIMENTAL TO THE INTERESTS OF PANDUIT CORP.

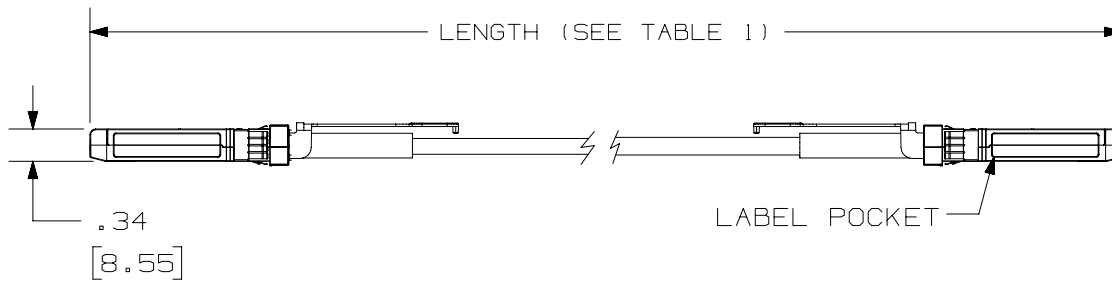


- NOTES:
1. SEE CURRENT CATALOG TO INDICATE PACKAGE QUANTITY.
 2. SEE CATALOG FOR COMPLETE LIST OF PARTS APPLICABLE FOR USE WITH THIS PART.
 3. PRODUCT DESCRIPTION:
 - A. 1 LANE, 25 Gbps/LANE
 - B. STANDARD SFP CONNECTOR
 - C. CL2 RATED JACKET
 - D. JACKET COLOR: BLACK (BL)
 4. MATES WITH SFP SFF-8432 INTERFACE
 5. CABLE LABEL CONTAINS PRODUCT DESCRIPTION, PART NUMBER, LENGTH AND WIRE GAUGE, AND MANUFACTURING SERIAL NUMBER.

TABLE 1
CABLE ASSEMBLY

PART NUMBER	LENGTH METERS (+.15, -0)	LENGTH FEET (+.5, -0)	CABLE AWG	WEIGHT LBS
PSF2PXA1M**	1	3.3	30	0.13
PSF2PXA2M**	2	6.6	30	0.19
PSF2PXA3M**	3	9.8	30	0.24
PSF2PXD4M**	4	13.1	24	0.49
PSF2PXD5M**	5	16.4	24	0.60

**CABLE COLOR IN BLACK (BL)



PART NUMBER	SEE TABLE 1	PRODUCT SPEC/PKG SPEC	N/A
I.T. NUMBER	N/A	WORK INSTRUCTION	N/A

TITLE
SFP28 PASSIVE CABLE ASSEMBLY
CUSTOMER DRAWING

ITEM REVISION NAME
M03075MQ/00

DATASET FILE NAME
M03075MQ_DC216/00A



UNLESS OTHERWISE SPECIFIED, DIMENSIONAL TOLERANCES ARE: IN (mm)

.x ± .1 [2.54] .xxx ± .005 [.127]
.xx ± .01 [.25] ANGLES ± 5 °

MATERIAL:

DRAWING NUMBER:
03075-216

DRAWN BY: **BJN** DATE: **11-19-15** CHK: **JAV** SCALE: **NONE** SHT 1 OF 2 SIZE: **A**

REV	DATE	BY	CHK	APR	DESCRIPTION	ECN
R	11-30-15	BJN	JAV	DFP	RELEASED TO PRODUCTION	03075-216

D10100DA/14

THIS COPY IS PROVIDED ON A RESTRICTED BASIS AND IS NOT TO BE USED IN ANY WAY DETRIMENTAL TO THE INTERESTS OF PANDUIT CORP.

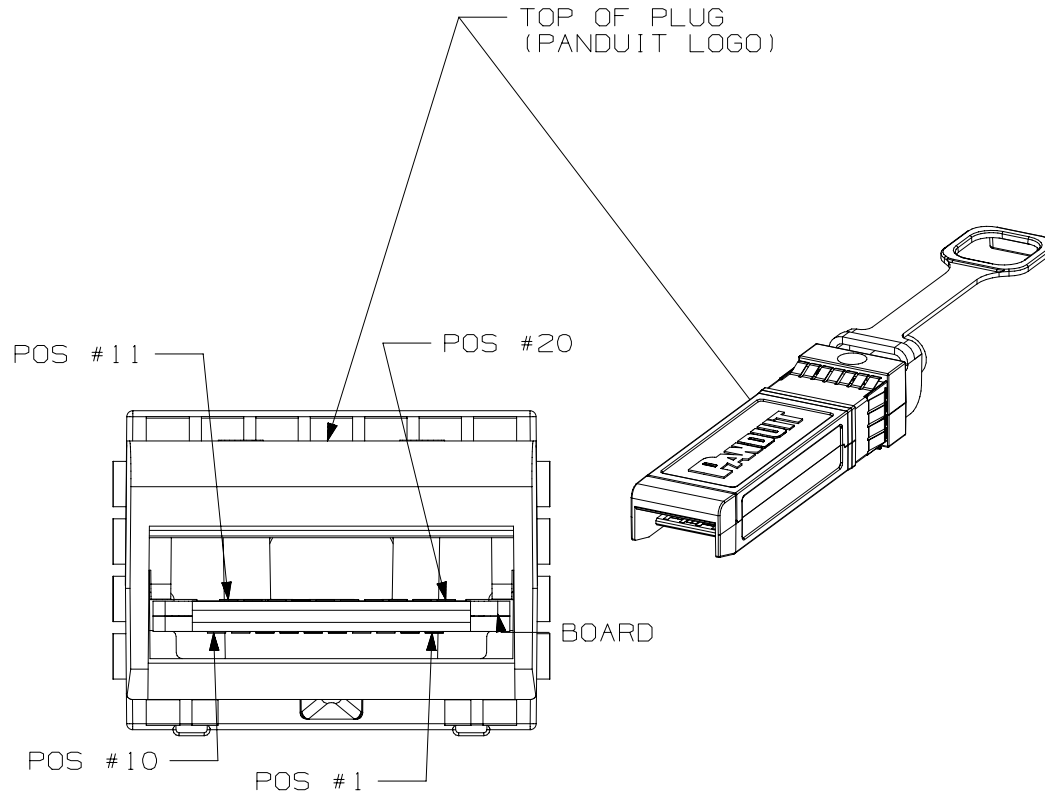


TABLE 2
PINOUT DIAGRAM

BOTTOM SIDE		TOP SIDE	
POS #	SIGNAL	POS #	SIGNAL
1	VEET*	11	VEER*
2	TX_FAULT**	12	RD-
3	TX_DISABLE**	13	RD+
4	SDA	14	VEER*
5	SCL	15	VCCR
6	MOD_ABS	16	VCCT
7	RS0	17	VEET*
8	RX_LOS**	18	TD+
9	RS1	19	TD-
10	VEER*	20	VEET*

* VEE PINS CONNECT FIRST UPON PLUGGING IN.
 ** TX_FAULT, TX_DISABLE, AND RX_LOS ARE DEFINED IN SFF-8432, BUT ARE NOT USED IN PASSIVE DIRECT ATTACH COPPER CABLES.

FRONT VIEW
SEE TABLE 2

PART NUMBER SEE TABLE 1		PRODUCT SPEC/PKG SPEC N/A	
I.T. NUMBER N/A		WORK INSTRUCTION N/A	
TITLE SFP28 PASSIVE CABLE ASSEMBLY			
CUSTOMER DRAWING			
ITEM REVISION NAME M03075MQ/00		PANDUIT	
DATASET FILE NAME M03075MQ_DC216/00A			
UNLESS OTHERWISE SPECIFIED, DIMENSIONAL TOLERANCES ARE: IN (mm)		MATERIAL:	
.x ± .1 (2.54) .xxx ± .005 (.127)		DRAWING NUMBER: 03075-216	
.xx ± .01 (.25) ANGLES ± 5 °			
THIRD ANGLE PROJECTION			
DRAWN BY BJN	DATE 11-19-15	CHK JAV	SCALE NONE
SHT 2 OF 2		SIZE A	

R	11-30-15	BJN	JAV	DFP	SEE SHEET 1 FOR REVISION HISTORY	03075-216
REV	DATE	BY	CHK	APR	DESCRIPTION	ECN

D10100DA/14

X-ON Electronics

Largest Supplier of Electrical and Electronic Components

Click to view similar products for [Panduit](#) manufacturer:

Other Similar products are found below :

[CF502550F-Q](#) [PK14-8R-X](#) [PK10-56R-L](#) [PCV-110CY](#) [PSL-SCBD-EI](#) [CBX4AW-AY](#) [CBXS2AW-A](#) [CS25-18SL-CY](#) [CFPFLS2SAW](#) [PK10-10R-X](#) [PUM-925-C0](#) [SICH38-C](#) [SICH25-C](#) [CCS19-S8-X](#) [CCH57-S12-M30](#) [PCMBR-13](#) [PCPA11IW](#) [CRE32](#) [M200X042UPT](#)
[M200X050ACT](#) [M200X080FQT](#) [M200X100ACT](#) [M200X100AIT](#) [CRTW](#) [CSVBP](#) [CT-1000](#) [CT-1004](#) [CT-1104](#) [CT-2550CH](#) [CT-2570CH](#)
[M300X050ACT](#) [M300X100ACT](#) [CT-900HPH](#) [CUFB48BL](#) [CVED32VE](#) [CVED32VEPG](#) [CVED40VEN](#) [CVED40VEPG](#) [CWF400](#)
[CWMPV2340](#) [CWMPV2440](#) [CWMPV3340](#) [CWMPV3440](#) [CWST](#) [MBEH-TLR](#) [MBH-MR](#) [MBH-MR316](#) [MBH-TLR316](#) [MBSH-TR](#) [MBS-MR](#)