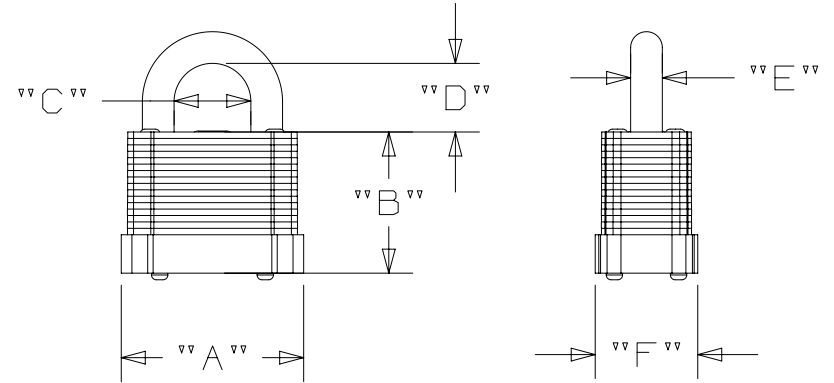


THIS COPY IS PROVIDED ON A RESTRICTED BASIS AND IS NOT TO BE USED IN ANY WAY DETRIMENTAL TO THE INTERESTS OF PANDUIT CORP.



NOTES:

- 1) DIMENSIONS IN [] ARE MILLIMETERS
- 2) 5 PIN CYLINDER
- 3) AVAILABLE WITH CUSTOM KEYING
- 4) SHORT SHACKLE IS STANDARD ADD "-LS" FOR LONG SHACKLE

	DIM "A"	DIM "B"	DIM "C"	DIM "D"	DIM "E"	DIM "F"
PSL-6BU	1.72 [43.7]	1.38 [35.1]	0.73 [18.5]	0.89 [22.7]	0.27 [6.8]	1.02 [25.9]
PSL-6BU-LS	1.72 [43.7]	1.38 [35.1]	0.73 [18.5]	2.13 [54.2]	0.27 [6.8]	1.02 [25.9]
PSL-6ABU	1.40 [35.6]	1.25 [31.8]	0.60 [15.2]	0.69 [17.5]	0.20 [5.1]	0.86 [22.0]
PSL-6ABU-LS	1.40 [35.6]	1.25 [31.8]	0.60 [15.2]	1.89 [48.0]	0.20 [5.1]	0.86 [22.0]
PSL-6CBU	1.90 [48.3]	1.47 [37.3]	0.80 [20.3]	0.86 [25.4]	0.33 [8.4]	1.07 [27.1]
PSL-6CBU-LS	1.90 [48.3]	1.47 [37.3]	0.80 [20.3]	1.95 [49.4]	0.33 [8.4]	1.07 [27.1]
PSL-6DBU	2.10 [53.3]	1.55 [39.4]	0.89 [22.7]	0.97 [25.4]	0.36 [9.1]	1.17 [29.8]
PSL-6DBU-LS	2.10 [53.3]	1.55 [39.4]	0.89 [22.7]	2.00 [50.8]	0.36 [9.1]	1.17 [29.8]

REV	DATE	BY	CHK	APR	DESCRIPTION	ECN	TITLE				SIZE	
							PSL-6 Series Padlocks					
							CUSTOMER DRAWING					
							ITEM REVISION NAME 00220NCV/00				PANDUIT	
							DATASET FILE NAME 00220NCV_C11720/00A					
							UNLESS OTHERWISE SPECIFIED, DIMENSIONAL TOLERANCES ARE: IN [mm] .x ± .25 [6.35] .xxx ± .05 [1.27] .xx ± .15 [3.81] ANGLES ± 5 °					
00	02/08/2018	AUMA	DJW	JHAC	Initial Release	GAECN05192	THIRD ANGLE PROJECTION				MATERIAL: Brass, Steel, & Plastic	
							DRAWING NUMBER: C11720					
							DRAWN BY AUMA	DATE 1/30/18	CHK JHAC	SCALE 1:2	SHT 1 OF 1	A

X-ON Electronics

Largest Supplier of Electrical and Electronic Components

Click to view similar products for [Panduit](#) manufacturer:

Other Similar products are found below :

[CF502550F-Q](#) [PK14-8R-X](#) [PK10-56R-L](#) [PCV-110CY](#) [PSL-SCBD-EI](#) [CBX4AW-AY](#) [CBXS2AW-A](#) [CS25-18SL-CY](#) [CFPFLS2SAW](#) [PK10-10R-X](#) [PUM-925-C0](#) [SICH38-C](#) [SICH25-C](#) [CCS19-S8-X](#) [CCH57-S12-M30](#) [PCMBR-13](#) [PCPA11IW](#) [CRE32](#) [M200X042UPT](#)
[M200X050ACT](#) [M200X080FQT](#) [M200X100ACT](#) [M200X100AIT](#) [CRTW](#) [CSVBP](#) [CT-1000](#) [CT-1004](#) [CT-1104](#) [CT-2550CH](#) [CT-2570CH](#)
[M300X050ACT](#) [M300X100ACT](#) [CT-900HPH](#) [CUFB48BL](#) [CVED32VE](#) [CVED32VEPG](#) [CVED40VEN](#) [CVED40VEPG](#) [CWF400](#)
[CWMPV2340](#) [CWMPV2440](#) [CWMPV3340](#) [CWMPV3440](#) [CWST](#) [MBEH-TLR](#) [MBH-MR](#) [MBH-MR316](#) [MBH-TLR316](#) [MBSH-TR](#) [MBS-MR](#)