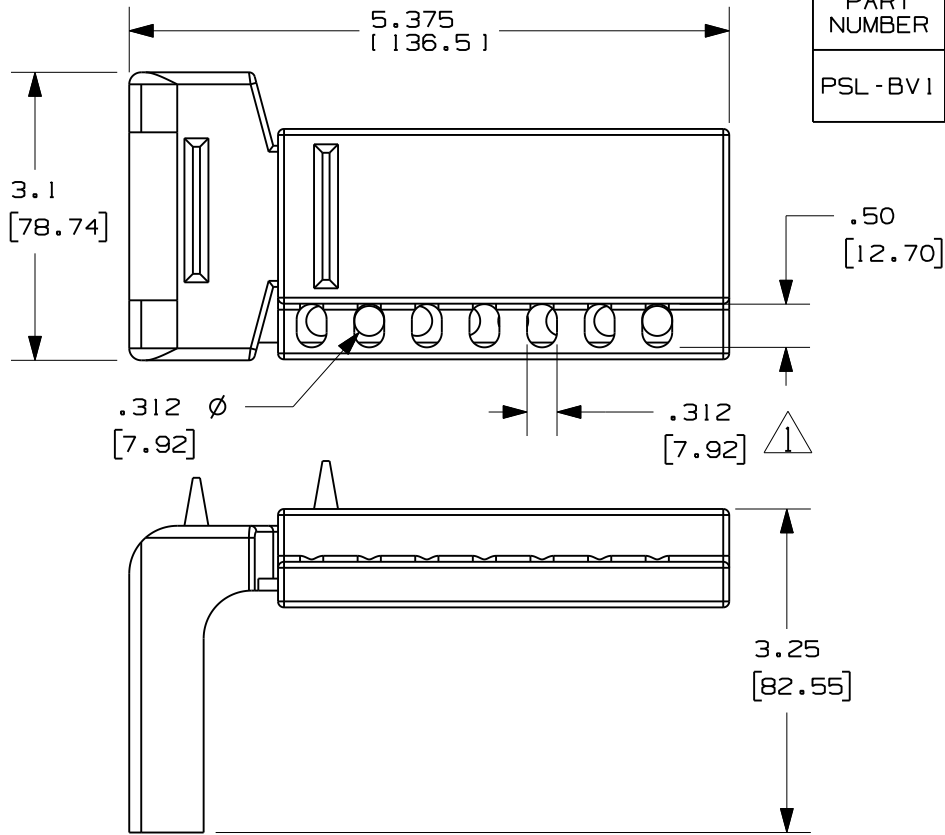


THIS COPY IS PROVIDED ON A RESTRICTED BASIS AND IS NOT TO BE USED IN ANY WAY DETRIMENTAL TO THE INTERESTS OF PANDUIT CORP.



PART NUMBER	VALVE SIZE in. (mm)	STANDARD PKG.	MAX. HANDLE LENGTH	MAX HANDLE WIDTH	OPERATING TEMPERATURE
PSL-BV1	3/8" - 1 1/4" [9.525 - 31.75]	1	7.5" [190.5]	1.0" [25.4]	-40° F (-40° C) TO 215° F (120° C)



NOTES:
1. MILLIMETERS
SHOWN IN ().

CAD FILENAME/LAYERS 100619XK_DC_C10096/01D

PANDUIT CORP. TINLEY PARK, ILLINOIS

PSL-BV1 BALL VALVE LOCKOUT

REV	DATE	BY	CHK	DESCRIPTION	ECN	R	CUST	SUP
2	12-13-10	JHAC		ADDED OPERATING TEMPERATURES AND MAX HANDLE WIDTH	6256			
1	2/6/08	RVU		.312 [7.92] DIA. WAS .285 [7.24], .312 [7.92] WAS .30 [7.62], 3.1 [78.74] WAS 3.00 [76.20], 3.25 [82.55] WAS 3.50 [88.90]. CHANGED TABLE, VALVE SIZE. REMOVED P/N: PSL-BV2.	5282	R		
0	1-24-06	RVU	DWY	ADDED PANTONE COLOR #.	4335	R		
R	9-12-03	RVU	DWY	DRAWING RELEASE	3399	R		

UNLESS OTHERWISE SPECIFIED, DIMENSIONAL TOLERANCES ARE: (.X) ± (.XXX) ± (.XX) ± ANGLES ±		UNLESS OTHERWISE SPECIFIED, ALL DIMENSIONS ARE GIVEN IN INCHES, THIRD ANGLE PROJECTION.	
DRAWN BY RVU	MAT'L: RED POLYPROPYLENE PANTONE PMS 186	SCALE NTS	
DATE 9-12-03	CHK'D	DRAWING NO. C10096	DWG A SIZE

X-ON Electronics

Largest Supplier of Electrical and Electronic Components

Click to view similar products for [PPE Safety Equipment / Lockout Tagout](#) category:

Click to view products by [Panduit](#) manufacturer:

Other Similar products are found below :

[AB12-SF1260](#) [GPSL-6KA](#) [GPSL-8MKEY](#) [35035](#) [50585](#) [70220-1302](#) [740053624](#) [702201756](#) [PSL-PC38-33](#) [7100078986](#) [132231](#) [44-809](#)
[G3000NUV-VI-R](#) [STC1165](#) [CP010006](#) [CP010010](#) [CP010013](#) [CP010702](#) [CP010712](#) [DAF010701](#) [GRP010704S](#) [WC000003](#) [2890S](#)
[SF407XSGAF-BLU-EU](#) [SF202AS/AF-EU](#) [RIMFIMI](#) [RIMFIPO](#) [VULC2NOFU](#) [509-0015](#) [509-0017](#) [509-0019](#) [509-0020](#) [509-0021](#) [509-](#)
[0022](#) [509-0003](#) [509-0004](#) [509-0006](#) [109-0920](#) [109-0917](#) [109-0918](#) [109-0919](#) [DYC200-01-01-9-DYCLEAN-S](#) [109-0027](#) [X2A](#) [26702](#) [28774](#)
[SFTY PADLOCK NYLON 38MM SHA YELLOW 6/PAC](#) [30-551-3040](#) [30-552-6012](#) [30-560-0039](#)