

THIS COPY IS PROVIDED ON A RESTRICTED BASIS AND IS NOT TO BE USED IN ANY WAY DETRIMENTAL TO THE INTERESTS OF PANDUIT CORP.

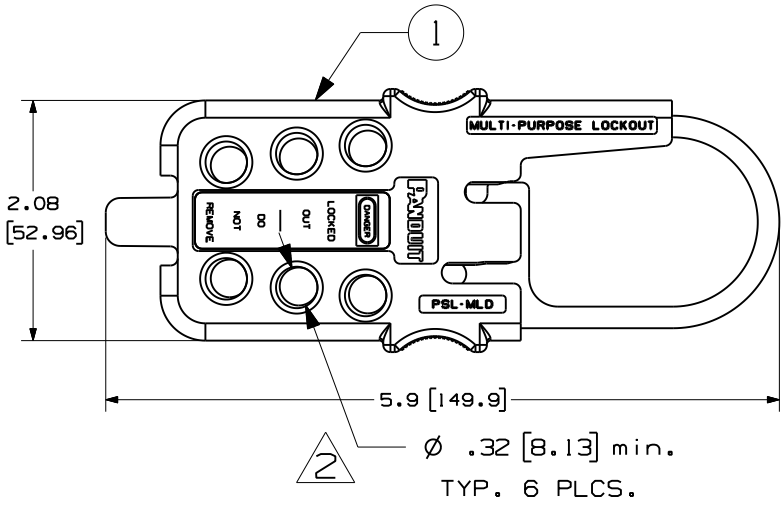
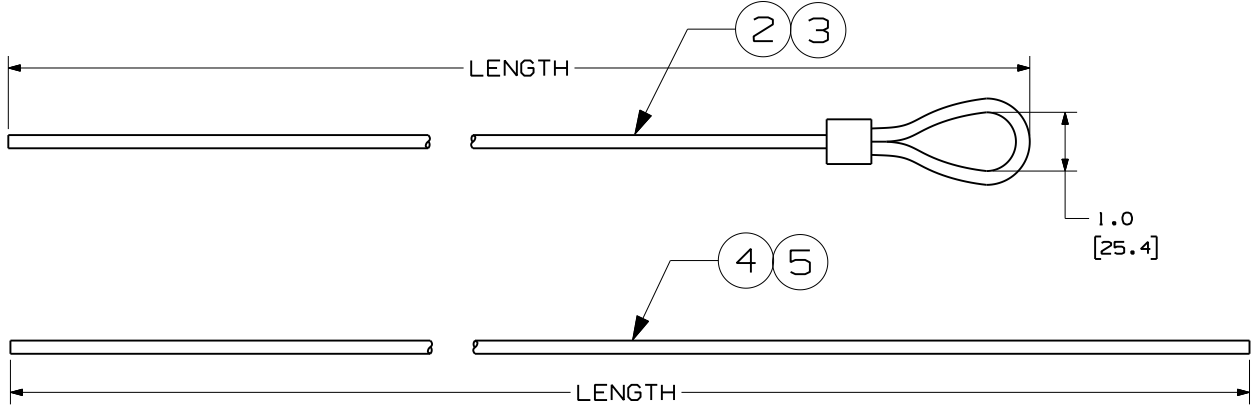


TABLE 1					
ITEM NO.	PART NUMBER	DESCRIPTION	MATERIAL TEMPERATURE RATING	CABLE LENGTH	UNIT QUANTITY
1	PSL-MLDH-X (ASSY)	MULTIPLE LOCKOUT DEVICE: STAINLESS STEEL WITH PLASTIC PIECE	185°F (85°C)	NA	1
2	PSL-MLDC	VINYL COATED GALVANIZED STEEL CABLE WITH LOOPHOLE	176°F (80°C)	6.0' (1.8M)	1
3	PSL-MLDCT	NYLON COATED GALVANIZED STEEL CABLE WITH LOOPHOLE	230°F (110°C)	6.0' (1.8M)	1
1, 2	PSL-MLD	MULTIPLE LOCKOUT DEVICE; INCLUDES LOCKOUT HASP AND VINYL COATED GALVANIZED STEEL CABLE WITH LOOPHOLE	185°F (85°C) DEVICE, 176°F (80°C) CABLE	6.0' (1.8M)	1 OF EACH
1, 3	PSL-MLDT	MULTIPLE LOCKOUT DEVICE; INCLUDES LOCKOUT HASP AND NYLON COATED GALVANIZED STEEL CABLE WITH LOOPHOLE	185°F (85°C) DEVICE, 230°F (110°C) CABLE	6.0' (1.8M)	1 OF EACH
4	PSL-MLDC200	VINYL COATED GALVANIZED STEEL CABLE WITHOUT LOOPHOLE	176°F (80°C)	200' (61M)	1
5	PSL-MLDC200T	NYLON COATED GALVANIZED STEEL CABLE WITHOUT LOOPHOLE	230°F (110°C)	200' (61M)	1

OPERATING TEMPERATURE AT LOW END IS -23° C.



CAD FILENAME/LAYERS 100619ZY\_DC\_C10391/05D

**PANDUIT** CORP. TINLEY PARK, ILLINOIS

CUSTOMER DRAWING PSL-MLD  
MULTI-PURPOSE LOCKOUT  
HASP AND CABLES

UNLESS OTHERWISE SPECIFIED, DIMENSIONAL TOLERANCES ARE:  
(.X) ± .12 (XXX) ± .020  
(.XX) ± .062 ANGLES ±

UNLESS OTHERWISE SPECIFIED, ALL DIMENSIONS ARE GIVEN IN INCHES, THIRD ANGLE PROJECTION.

DRAWN BY RVU MAT'L; SEE TABLE 1.  
DATE 2/2/06  
CHK'D

SCALE NTS  
DRAWING NO. C10391  
DWG SIZE A

REV	DATE	BY	CHK	DESCRIPTION	ECN	R	CUST	SUP
2	3/12/12	RVU		ADDED THE LOCK HOLE DIAMETER.	6734	R		
1	7/8/09	RVU		COMBINE MULTIPLE PARTS ON ONE DWG. REVISED TABLE 1 & ADD LOW END TEMP. NOTE.	5677	R		
0	2/2/06	RVU		DRAWING RELEASE.	4349	R		

## X-ON Electronics

Largest Supplier of Electrical and Electronic Components

*Click to view similar products for [Wire Ducting & Raceways](#) category:*

*Click to view products by [Panduit](#) manufacturer:*

Other Similar products are found below :

[800A-LB](#) [801I-LSP](#) [802A-ECSP](#) [802I-ICSP](#) [923223-000](#) [PRAF6WH-X](#) [A0405538](#) [1301150342](#) [1301160034](#) [1301170070](#) [1301180011](#)  
[1301230083](#) [1301230153](#) [1301240273](#) [1301250006](#) [1302261238](#) [1302261321](#) [1302262552](#) [1302263103](#) [1302263178](#) [1302263259](#)  
[1302263816](#) [1302263860](#) [1302264375](#) [1302264390](#) [1301150343](#) [1301160030](#) [1301170050](#) [1301170051](#) [1301170061](#) [1301180013](#)  
[1301230086](#) [1301230130](#) [1301240054](#) [1302260055](#) [1302260376](#) [1302261343](#) [1302261344](#) [1302262674](#) [1302263095](#) [1302263166](#)  
[1302263209](#) [1302263513](#) [1302263851](#) [1302263870](#) [1302264137](#) [1302264218](#) [DD1/J](#) [AX101472](#) [AX102007](#)