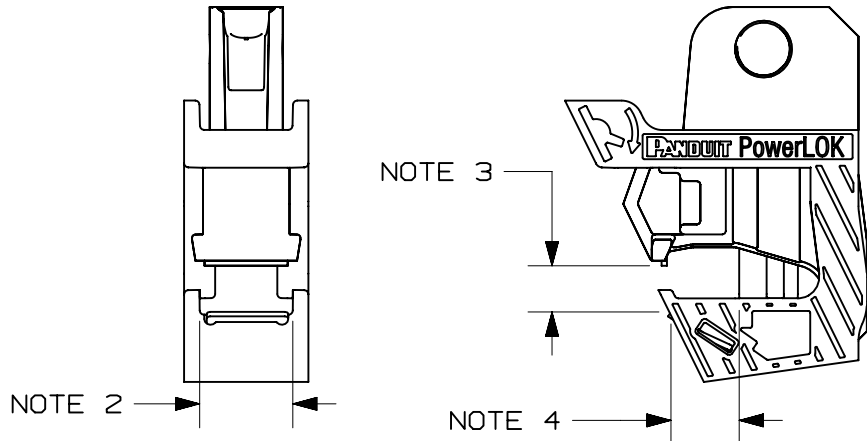
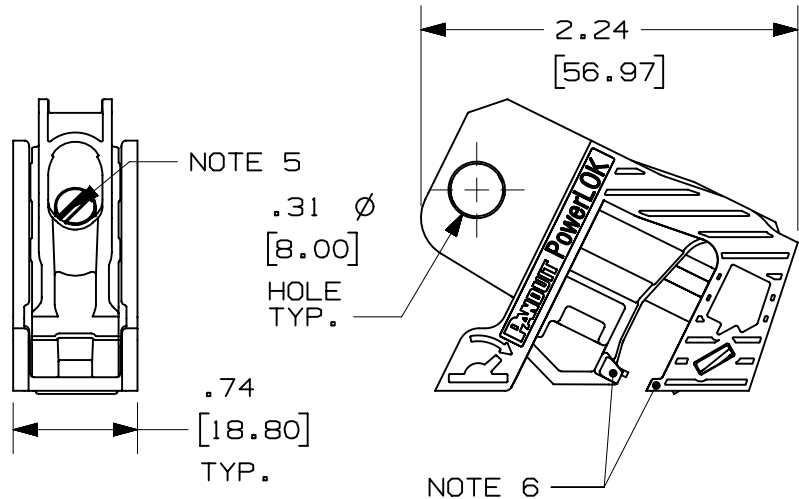


THIS COPY IS PROVIDED ON A RESTRICTED BASIS AND IS NOT TO BE USED IN ANY WAY DETRIMENTAL TO THE INTERESTS OF PANDUIT CORP.



COMPATIBLE PADLOCKS

- PSL-6 SERIES
- PSL-7 SERIES
- PSL-8 SERIES

- NOTES:
1. MILLIMETERS ARE SHOWN IN BRACKETS
  2. MAX SWITCH WIDTH: 0.55 [13.97]
  3. MAX OPENING 0.64 [16.26]  
MIN OPENING 0.18 [4.57]
  4. MAX THROAT DEPTH: 0.40 [10.16]
  5. RECOMMENDED LEAD SCREW TORQUE: 60 IN-OZ
  6. FEATURES INDICATED ALLOW DEVICE TO GRIP EXTERNALLY TIED MULTIPOLE BREAKERS. FEATURES SHOULD BE INSERTED BELOW THE TIE BAR OF EXTERNALLY TIED BREAKERS. ONCE THESE FEATURES ARE POSITIONED, TIGHTEN SET SCREW OF DEVICE TO SECURE BREAKER. DEVICE SHOULD BE CENTERED ON TIE BAR.

01	7/16/13	MROB	MJPF	KLN	REMOVED PCBNT. ADDED NOTES 5 & 6. COMPATIBLE PADLOCKS	GAECN00982
00	3/20/13	MROB	MJPF	KLN	DRAWING RELEASE	GAECN00711
REV	DATE	BY	CHK	APR	DESCRIPTION	ECN

TITLE		<b>PSL-PCB POWERLOK</b>	
ITEM REVISION NAME		CUSTOMER DRAWING	
DATASET FILE NAME		<b>PANDUIT</b>	
UNLESS OTHERWISE SPECIFIED, DIMENSIONAL TOLERANCES ARE: IN [mm]		MATERIAL:	
.X ± - .XX ± .01 [ .25 ]		RED NYLON	
.XXX ± - ANGLES ± -		DRAWING NUMBER:	
THIRD ANGLE PROJECTION		<b>C11044</b>	
DRAWN BY	DATE	CHK	SCALE
MROB	3/25/13	KLN	NTS
SHT 1 OF 1		SIZE	
		<b>A</b>	

## X-ON Electronics

Largest Supplier of Electrical and Electronic Components

*Click to view similar products for [PPE Safety Equipment / Lockout Tagout](#) category:*

*Click to view products by [Panduit](#) manufacturer:*

Other Similar products are found below :

[AB12-SF1260](#) [GPSL-6KA](#) [GPSL-8MKEY](#) [50585](#) [70220-1302](#) [740053624](#) [702201756](#) [PSL-PC38-33](#) [7100078986](#) [132231](#) [44-809](#)  
[G3000NUV-VI-R](#) [CP010006](#) [CP010010](#) [CP010013](#) [CP010702](#) [CP010712](#) [DAF010701](#) [GRP010704S](#) [WC000003](#) [2890S](#) [SF407XSGAF-](#)  
[BLU-EU](#) [SF202AS/AF-EU](#) [RIMFIMI](#) [RIMFIPO](#) [VULC2NOFU](#) [509-0015](#) [509-0017](#) [509-0019](#) [509-0020](#) [509-0021](#) [509-0022](#) [509-0003](#)  
[509-0004](#) [509-0006](#) [109-0028](#) [109-0920](#) [109-0917](#) [109-0918](#) [109-0919](#) [DYC200-01-01-9-DYCLEAN-S](#) [109-0027](#) [X2A](#) [26702](#) [28774](#)  
[SFTY PADLOCK NYLON 38MM SHA YELLOW 6/PAC](#) [30-551-3040](#) [30-552-6012](#) [30-560-0039](#) [CPG1222](#)