

RJ45 Blockout Devices

PANDUIT®

SPECIFICATION SHEET

specifications

The RJ45 jack blockout device shall be compatible with most RJ45 openings to protect and prevent unauthorized access to the network. The device shall snap and lock securely into RJ45 openings and shall only be released with removal tool without interfering with adjacent jacks or hardware. The device shall be utilized in any data application that requires RJ45 type connection. The RJ45 blockout device shall be available in eight color options to enable color identification.



technical information

Material:	Polycarbonate
Temperature range:	-30°F (-35°C) to 200°F (93°C)
RoHS compliant:	Yes
Halogen free:	Yes

key features and benefits

Tamper resistant	Device blocks unauthorized access to jacks and potentially harmful foreign objects, saving time and money associated with data security breaches, network downtime, repair and hardware replacement
TIA/EIA-604 FOCIS-3 compliant (or compatible)	Device fits all RJ45 receptacles to accommodate all retrofit applications and new installations
Versatile functionality	Compatible with most RJ45 jacks to accommodate a variety of applications without interference with jack contacts
Compact, low profile design	Can be installed without interfering with adjacent jacks, plugs or connectors, even in high-density applications
Removal tool	Device may only be released with the special removal tool, ensuring the safety and security of your network infrastructure
Color assortment	Enables color-coding for visual identification or aesthetics

applications

The RJ45 blockout device is designed to protect network integrity and prevent unauthorized access to the network by securing the RJ45 opening. The device saves time and money associated with downtime, data security breaches,

hardware replacement and infrastructure repair. The RJ45 blockout device snaps into the RJ45 opening and can only be released by the removal tool. This ensures safety and security of the network infrastructure.

RJ45 Jack Blockout Devices*

Red:	PSL-DCJB
Black:	PSL-DCJB-BL
Blue:	PSL-DCJB-BU
Green:	PSL-DCJB-GR
Yellow:	PSL-DCJB-YL
Orange:	PSL-DCJB-OR
International White:	PSL-DCJB-IW
International Gray:	PSL-DCJB-IG

Related Products

RJ45 Lock-In Devices

Red:	PSL-DCPLX
Black:	PSL-DCPLX-BL
Blue:	PSL-DCPLX-BU
Green:	PSL-DCPLX-GR
Yellow:	PSL-DCPLX-YL
Orange:	PSL-DCPLX-OR
International White:	PSL-DCPLX-IW
International Gray:	PSL-DCPLX-IG

LC Duplex Adapter Blockout Devices

Red:	PSL-LCAB
Black:	PSL-LCAB-BL
Blue:	PSL-LCAB-BU
Electric Ivory:	PSL-LCAB-EI

LC Duplex Lock-In Clip

International White: FLCCLIW-X

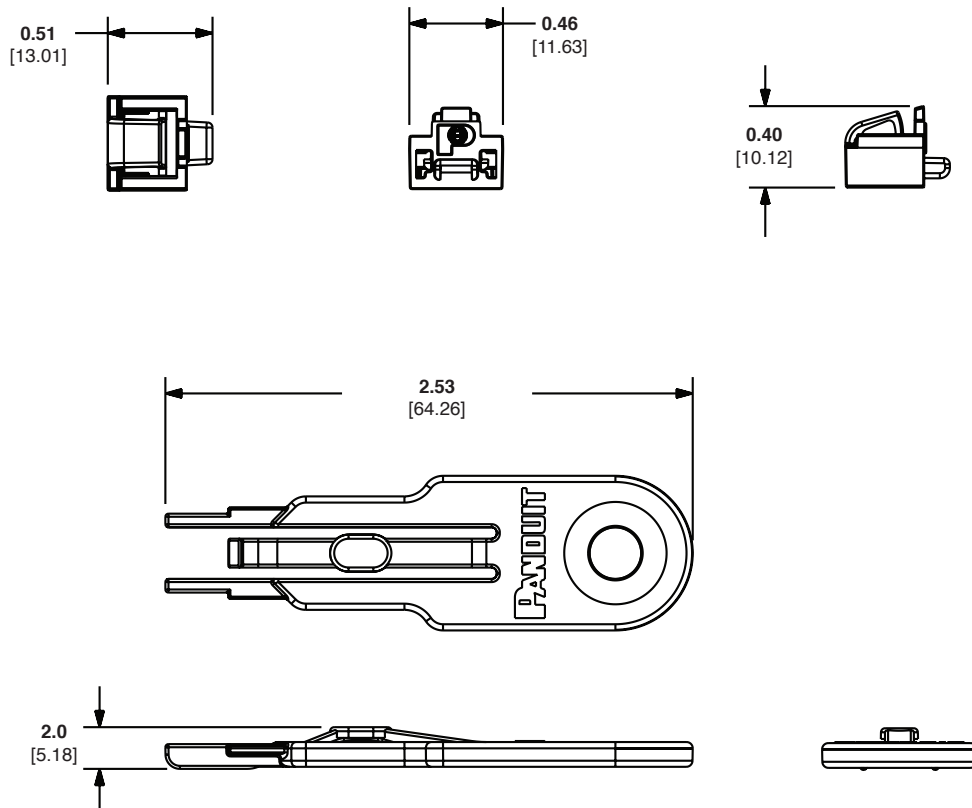
SC Adapter Blockout Devices

Red:	PSL-SCBD
Black:	PSL-SCBD-BL
Blue:	PSL-SCBD-BU
Electric Ivory:	PSL-SCBD-EI
Green:	PSL-SCBD-AG

*Each package contains ten devices and one removal tool. Also available in bulk packages of 100 devices and five removal tools. To order bulk packaging, add -C to the end of the part number.

RJ45 Blockout Devices

PSL – DCJB Jack Module Blockout

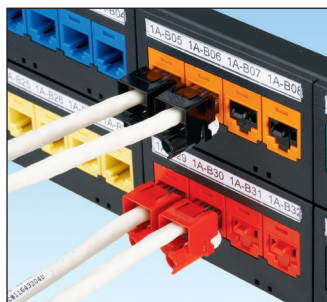


related products

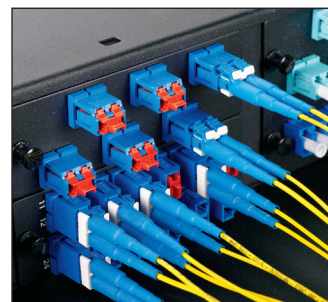
Panduit offers various physical network security products for both copper and fiber applications:



**USB Blockout Device
(PSL-USBA)**



**RJ45 Plug Lock-In Device
(PSL-DCPLX)**



**LC Duplex Adapter
Blockout Device
(PSL-LCAB)**

Dimensions are in inches. [Dimensions in brackets are metric].

WORLDWIDE SUBSIDIARIES AND SALES OFFICES

PANDUIT CANADA
Markham, Ontario
cs-cdn@panduit.com
Phone: 800.777.3300

PANDUIT EUROPE LTD.
London, UK
cs-emea@panduit.com
Phone: 44.20.8601.7200

PANDUIT SINGAPORE PTE. LTD.
Republic of Singapore
cs-ap@panduit.com
Phone: 65.6305.7575

PANDUIT JAPAN
Tokyo, Japan
cs-japan@panduit.com
Phone: 81.3.6863.6000

PANDUIT LATIN AMERICA
Guadalajara, Mexico
cs-la@panduit.com
Phone: 52.33.3777.6000

PANDUIT AUSTRALIA PTY. LTD.
Victoria, Australia
cs-aus@panduit.com
Phone: 61.3.9794.9020

For a copy of Panduit product warranties, log on to www.panduit.com/warranty

For more information

Visit us at www.panduit.com

Contact Customer Service by email: cs@panduit.com
or by phone: 800.777.3300

PANDUIT[®]

©2016 Panduit Corp.
ALL RIGHTS RESERVED.
IDSP26--WW-ENG
10/2016

X-ON Electronics

Largest Supplier of Electrical and Electronic Components

Click to view similar products for [PPE Safety Equipment / Lockout Tagout](#) category:

Click to view products by [Panduit](#) manufacturer:

Other Similar products are found below :

[AB12-SF1260](#) [GPSL-6KA](#) [GPSL-8MKEY](#) [35035](#) [50585](#) [70220-1302](#) [740053624](#) [702201756](#) [PSL-PC38-33](#) [7100078986](#) [132231](#) [44-809](#)
[G3000NUV-VI-R](#) [STC1165](#) [CP010006](#) [CP010010](#) [CP010013](#) [CP010702](#) [CP010712](#) [DAF010701](#) [GRP010704S](#) [WC000003](#) [2890S](#)
[SF407XSGAF-BLU-EU](#) [SF202AS/AF-EU](#) [RIMFIMI](#) [RIMFIPO](#) [VULC2NOFU](#) [509-0015](#) [509-0017](#) [509-0019](#) [509-0020](#) [509-0021](#) [509-](#)
[0022](#) [509-0003](#) [509-0004](#) [509-0006](#) [109-0920](#) [109-0917](#) [109-0918](#) [109-0919](#) [DYC200-01-01-9-DYCLEAN-S](#) [109-0027](#) [X2A](#) [26702](#) [28774](#)
[SFTY PADLOCK NYLON 38MM SHA YELLOW 6/PAC](#) [30-551-3040](#) [30-552-6012](#) [30-560-0039](#)