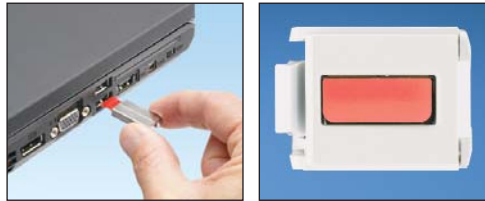


USB Type 'A' Blockout Devices

specifications

The USB Type 'A' blockout devices shall work with USB 2.0 and USB 3.0 Type 'A' ports. There shall be two options available: a removable device and a permanent device. Each design shall block one USB Type 'A' port, keeping it secure and reducing the risk of viruses being loaded and unauthorized data being removed through the USB port. They shall be utilized in any data application, especially with computers, switches, and other hardware that use USB Type 'A' adapters. The permanent blockout device shall only be used if the port is never to be used again; **there is no tool to release this device.**



technical information

Material removable device:	Polycarbonate and Stainless Steel (302)
Material permanent device:	Glass-Filled Nylon
Temperature range:	-30°F to 200°F (-35°C to 93°C)
RoHS compliant:	Compliant
Halogen free:	Yes

key features and benefits

Tamper-resistant	Blockout devices block unauthorized access to USB Type 'A' ports, to provide additional security from viruses being loaded and data being removed through the USB port
Compliant with USB 2.0 & USB 3.0	Device fits USB 2.0 and USB 3.0 Type 'A' ports
Compact, low profile design	Can be installed without interfering with adjacent USB ports
Removal tool	PSL-USBA device may only be released with the special removal tool, ensuring the safety and security of your network infrastructure

applications

The USB Type 'A' blockout devices are inserted into an USB Type 'A' port to block access to prevent damage and unauthorized access to data. These USB 2.0 and USB 3.0 compliant, tamper-resistant devices fit both types of USB Type 'A' ports and will help save time and money associated with data security breaches, network downtime, infrastructure

repair and hardware replacement. Panduit[®] USB Type 'A' blockout devices provide an economical way to block unauthorized access at a physical layer to USB Type 'A' ports in computers, switches, and other hardware devices to reduce the risk of unintentional or intentional damage.

USB Type 'A' Blockout Devices

Standard package[^]: PSL-USBA
Bulk package[^]: PSL-USBA-L

Permanent USB Type 'A' Blockout Device

Standard package[^]: PSL-PERM-USBA

Mini-Com[®] USB Coupler

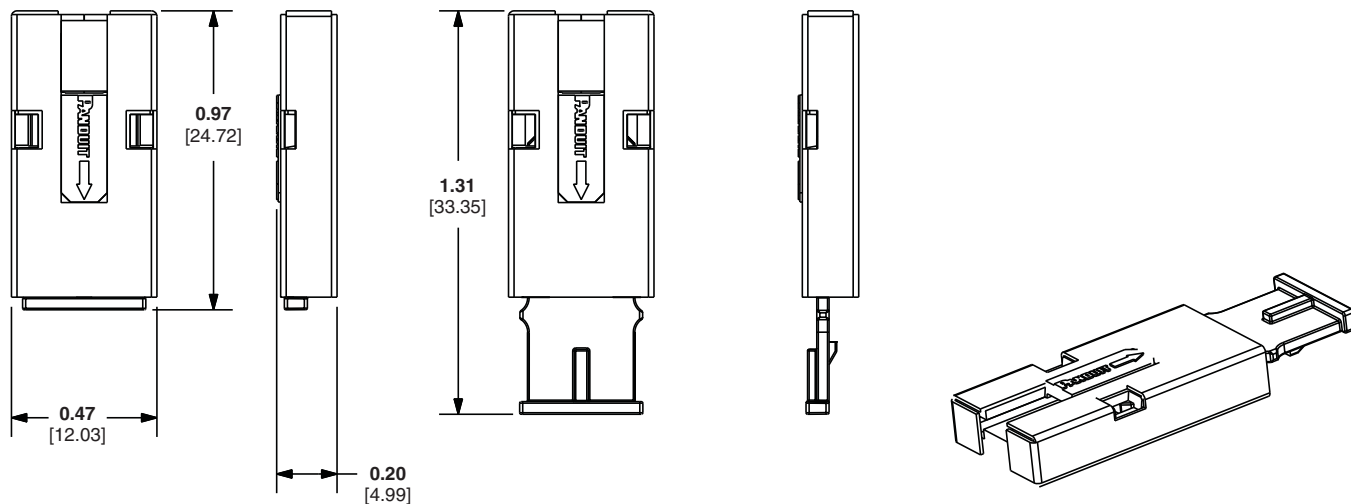
Female A to female A: CMUSBAAIW*

For additional Lock-In and Blockout Devices, visit www.panduit.com, or contact customer service.

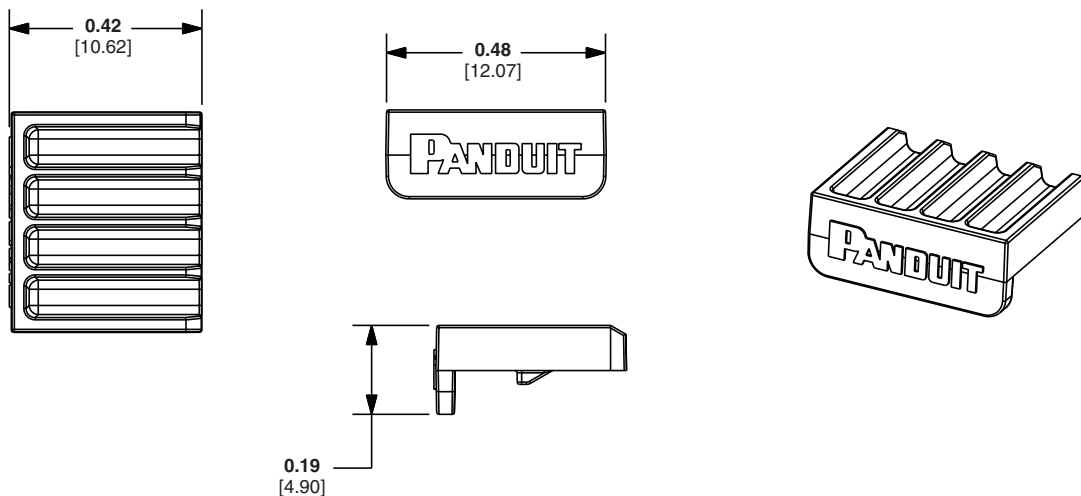
[^]PSL-USBA Standard Package includes five blockout devices and one removal tool. PSL-USBA-L Bulk Package includes 50 blockout devices and five removal tools. PSL-PERM-USBA Standard Package includes ten blockout devices.

*For standard colors other than IW (Off White), replace IW in part number with EI (Electric Ivory), WH (White), IG (International Gray), or BL (Black).

USB Type 'A' Blockout Devices



*Permanent USB Type 'A' Blockout Device



*PSL-PERM-USBA device permanently blocks one USB Type 'A' port; NO REMOVAL TOOL AVAILABLE

Dimensions are in inches. [Dimensions in brackets are metric].

WORLDWIDE SUBSIDIARIES AND SALES OFFICES

PANDUIT CANADA
Markham, Ontario
cs-cdn@panduit.com
Phone: 800.777.3300

PANDUIT EUROPE LTD.
London, UK
cs-emea@panduit.com
Phone: 44.20.8601.7200

PANDUIT SINGAPORE PTE. LTD.
Republic of Singapore
cs-ap@panduit.com
Phone: 65.6305.7575

PANDUIT JAPAN
Tokyo, Japan
cs-japan@panduit.com
Phone: 81.3.6863.6000

PANDUIT LATIN AMERICA
Guadalajara, Mexico
cs-la@panduit.com
Phone: 52.33.3777.6000

PANDUIT AUSTRALIA PTY. LTD.
Victoria, Australia
cs-aus@panduit.com
Phone: 61.3.9794.9020

For a copy of Panduit product warranties, log on to www.panduit.com/warranty

PANDUIT[®]

For more information
Visit us at www.panduit.com
Contact Customer Service by email: cs@panduit.com
or by phone: 800.777.3300

©2012 Panduit Corp.
ALL RIGHTS RESERVED.
IDSP22--WW-ENG
Replaces WW-IDSP19
12/2012

X-ON Electronics

Largest Supplier of Electrical and Electronic Components

Click to view similar products for [PPE Safety Equipment / Lockout Tagout](#) category:

Click to view products by [Panduit](#) manufacturer:

Other Similar products are found below :

[AB12-SF1260](#) [GPSL-6KA](#) [GPSL-8MKEY](#) [35035](#) [50585](#) [70220-1302](#) [740053624](#) [702201756](#) [PSL-PC38-33](#) [7100078986](#) [132231](#) [44-809](#)
[G3000NUV-VI-R](#) [STC1165](#) [CP010006](#) [CP010010](#) [CP010013](#) [CP010702](#) [CP010712](#) [DAF010701](#) [GRP010704S](#) [WC000003](#) [2890S](#)
[SF407XSGAF-BLU-EU](#) [SF202AS/AF-EU](#) [RIMFIMI](#) [RIMFIPO](#) [VULC2NOFU](#) [509-0015](#) [509-0017](#) [509-0019](#) [509-0020](#) [509-0021](#) [509-](#)
[0022](#) [509-0003](#) [509-0004](#) [509-0006](#) [109-0920](#) [109-0917](#) [109-0918](#) [109-0919](#) [DYC200-01-01-9-DYCLEAN-S](#) [109-0027](#) [X2A](#) [26702](#) [28774](#)
[SFTY PADLOCK NYLON 38MM SHA YELLOW 6/PAC](#) [30-551-3040](#) [30-552-6012](#) [30-560-0039](#)