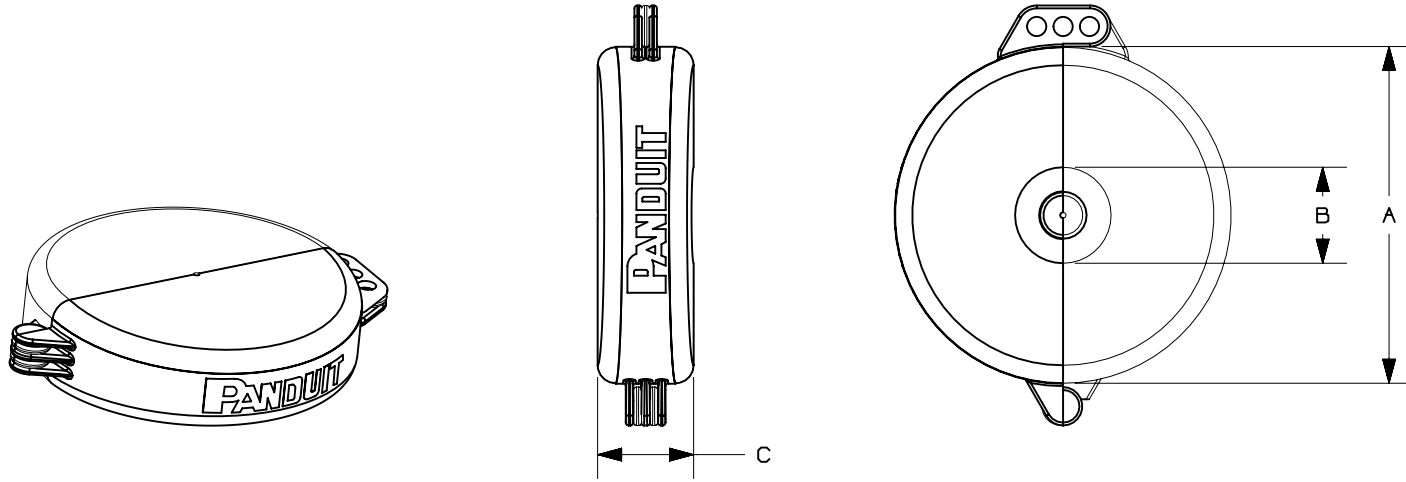


THIS COPY IS PROVIDED ON A RESTRICTED BASIS AND IS NOT TO BE USED IN ANY WAY DETRIMENTAL TO THE INTERESTS OF PANDUIT CORP.

PART NUMBER	COLOR	VALVE HANDLE SIZE IN. [MM]	DIM. "A" IN. [MM]	DIM. "B" IN. [MM]	DIM. "C" IN. [MM]	STANDARD PKG.
PSL-V2A	RED	1.0-3.0 [25-76]	3.5 [89]	.75 [19]	1.5 [38]	1
PSL-V2BLU	BLUE	1.0-2.5 [25-63]	3.0 [76]	.75 [19]	1.5 [38]	
PSL-V2GRN	GREEN	1.0-2.5 [25-63]	3.0 [76]	.75 [19]	1.5 [38]	
PSL-V2YEL	YELLOW	1.0-2.5 [25-63]	3.0 [76]	.75 [19]	1.5 [38]	
PSL-V4	RED	2.5-5.0 [63-127]	5.5 [140]	1.7 [43]	1.75 [44]	
PSL-V4BLU	BLUE	2.5-5.0 [63-127]	5.5 [140]	1.7 [43]	1.75 [44]	
PSL-V4GRN	GREEN	2.5-5.0 [63-127]	5.5 [140]	1.7 [43]	1.75 [44]	
PSL-V4YEL	YELLOW	2.5-5.0 [63-127]	5.5 [140]	1.7 [43]	1.75 [44]	
PSL-V6A	RED	3.0-6.5 [76.2-165]	7.0 [178]	2.0 [51]	2.0 [51]	
PSL-V6BLU	BLUE	3.0-6.5 [76.2-165]	7.0 [178]	2.5 [63]	2.0 [51]	
PSL-V6GRN	GREEN	3.0-6.5 [76.2-165]	7.0 [178]	2.5 [63]	2.0 [51]	
PSL-V6YEL	YELLOW	3.0-6.5 [76.2-165]	7.0 [178]	2.5 [63]	2.0 [51]	
PSL-V9	RED	6.5-10.0 [165-254]	10.5 [267]	3.5 [89]	2.5 [63]	
PSL-V9YEL	YELLOW	6.5-10.0 [165-254]	10.5 [267]	3.5 [89]	2.5 [63]	
PSL-V13	RED	10.0-13.0 [254-330]	14.5 [368]	4.0 [101]	3.0 [76]	
PSL-V13YEL	YELLOW	10.0-13.0 [254-330]	14.5 [368]	4.0 [101]	3.0 [76]	



NOTES:  
 1. [ ] DENOTE MILLIMETERS  
 2. COLOR REQUIREMENTS  
 RED - PMS186  
 BLUE - PMS285  
 GREEN - PMS335  
 YELLOW - PMS109

REV	DATE	BY	CHK	APR	DESCRIPTION	ECN
5	1-7-14	JHAC	KLN	MJPF	UPDATED DIMENSION B FOR PSL-V6GRN, YEL, AND BLU	GAECN01536
4	12-19-13	JHAC	MSAD	CLW	UPDATED VALVE HANDLE SIZES FOR PSL-V2*, CHANGED DRAWING SIZE	GAECN01506
3	3-29-06	RVU			PSL-V2A: 1-2.5 WAS 1-3 PSL-V6A: 2.5-6.5 WAS 3.0-6.5	4429
2	1-24-06	RVU			ADDED PANTONE COLOR #	4335
1	9-8-05	RVU	DWY		PART NO.'S PSL-V2, PSL-V4, AND PSL-V6 OBSOLETE ADDED PART NO.'S PSL-VS2A AND PSL-V6A	4168
R	9-9-03	RVU	DWY		DRAWING RELEASE	3399

TITLE		<b>PSL-V*** GATE VALVE LOCKOUTS</b>	
ITEM REVISION NAME		CUSTOMER DRAWING	
DATASET FILE NAME		G01204NZ/02	
MATERIAL:		<b>PANDUIT</b>	
UNLESS OTHERWISE SPECIFIED, DIMENSIONAL TOLERANCES ARE: IN [mm]		POLYPROPYLENE	
.x ± .032 [.81]      .xxx ± .01 [.25]		DRAWING NUMBER: <b>C10094</b>	
.xx ± .015 [.38]      ANGLES ± 5°			
		THIRD ANGLE PROJECTION	
DRAWN BY	DATE	CHK	SCALE
RVU	9-9-03	MSAD	1:4
SHT 1 OF 1		A	

## X-ON Electronics

Largest Supplier of Electrical and Electronic Components

*Click to view similar products for [Modular Connectors](#) / [Ethernet Connectors](#) category:*

*Click to view products by [Panduit](#) manufacturer:*

Other Similar products are found below :

[8949-H88/06BLKA/SN](#) [74441-0010/BKN](#) [MP1010RX-1000](#) [MP44RX-1000](#) [PHP-6P6C-5](#) [GAX-3-66](#) [GAX-8-62](#) [GDCX-PA-66-50](#) [GDCX-PN-64](#) [GDCX-PN-66](#) [GDCX-PN-66-50](#) [GDLX-A-66](#) [GDLX-N-66](#) [GDLX-S-66](#) [GDLX-S-88K](#) [GDTX-S-88-50](#) [GDX-PA-1010](#) [GLX-N-1010M-BLK](#) [GLX-S-88M-BLK](#) [GMX-N-1010](#) [GMX-S-1010](#) [GMX-S-66](#) [GMX-SMT4-N-88](#) [GPX-2-64](#) [GSGX-N-2-88](#) [GSGX-N-4-88](#) [GSX-NS2-88-3.05](#) [GSX-NS2-88-3.05-50](#) [GSX-NS-88-3.05-50](#) [PT-108A-8C-UL](#) [PT-J951-8C](#) [PTS-J531-8CS-50UL](#) [1-1775629-2](#) [A-2014-0-4](#) [GWLX-S-88-GR](#) [GWLX-S9-88-YG](#) [DC-1021-8-WH-6](#) [1300530003](#) [1324640-4](#) [RJ11FTVC2G](#) [RJ11FTVC2N](#) [RJFTVX2SA1G](#) [132764-001](#) [1413235](#) [MP88X-1000](#) [MPS88RX-5000](#) [E5288-S000K3-L](#) [E5908-15A242-L](#) [155302-001](#) [AX100653](#)