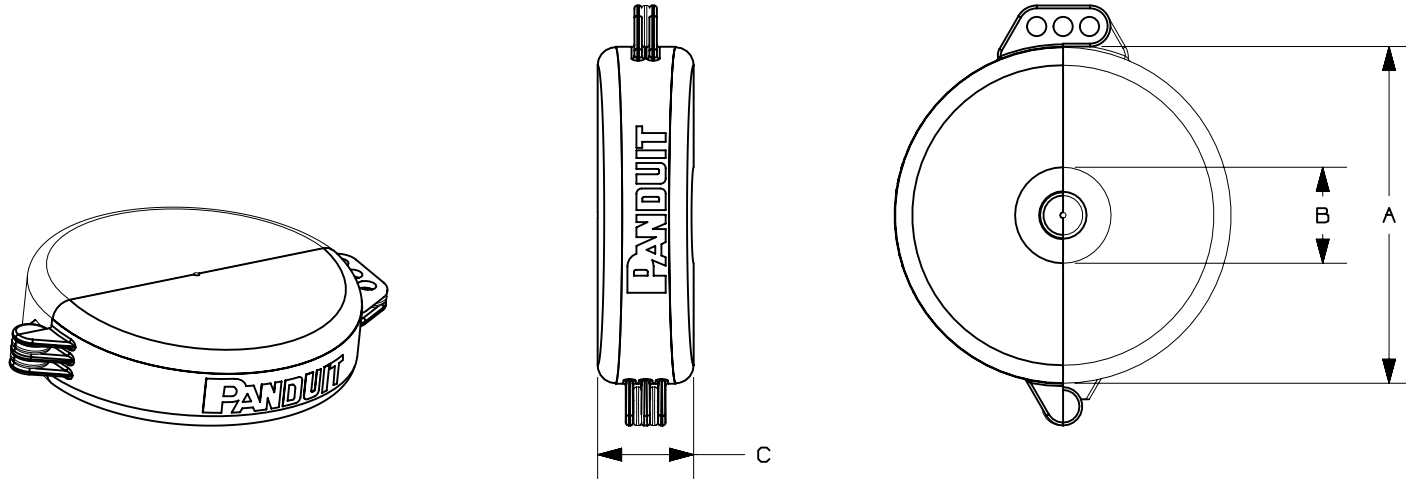


THIS COPY IS PROVIDED ON A RESTRICTED BASIS AND IS NOT TO BE USED IN ANY WAY DETRIMENTAL TO THE INTERESTS OF PANDUIT CORP.

PART NUMBER	COLOR	VALVE HANDLE SIZE IN. [MM]	DIM. "A" IN. [MM]	DIM. "B" IN. [MM]	DIM. "C" IN. [MM]	STANDARD PKG.
PSL-V2A	RED	1.0-3.0 [25-76]	3.5 [89]	.75 [19]	1.5 [38]	1
PSL-V2BLU	BLUE	1.0-2.5 [25-63]	3.0 [76]	.75 [19]	1.5 [38]	
PSL-V2GRN	GREEN	1.0-2.5 [25-63]	3.0 [76]	.75 [19]	1.5 [38]	
PSL-V2YEL	YELLOW	1.0-2.5 [25-63]	3.0 [76]	.75 [19]	1.5 [38]	
PSL-V4	RED	2.5-5.0 [63-127]	5.5 [140]	1.7 [43]	1.75 [44]	
PSL-V4BLU	BLUE	2.5-5.0 [63-127]	5.5 [140]	1.7 [43]	1.75 [44]	
PSL-V4GRN	GREEN	2.5-5.0 [63-127]	5.5 [140]	1.7 [43]	1.75 [44]	
PSL-V4YEL	YELLOW	2.5-5.0 [63-127]	5.5 [140]	1.7 [43]	1.75 [44]	
PSL-V6A	RED	3.0-6.5 [76.2-165]	7.0 [178]	2.0 [51]	2.0 [51]	
PSL-V6BLU	BLUE	3.0-6.5 [76.2-165]	7.0 [178]	2.5 [63]	2.0 [51]	
PSL-V6GRN	GREEN	3.0-6.5 [76.2-165]	7.0 [178]	2.5 [63]	2.0 [51]	
PSL-V6YEL	YELLOW	3.0-6.5 [76.2-165]	7.0 [178]	2.5 [63]	2.0 [51]	
PSL-V9	RED	6.5-10.0 [165-254]	10.5 [267]	3.5 [89]	2.5 [63]	
PSL-V9YEL	YELLOW	6.5-10.0 [165-254]	10.5 [267]	3.5 [89]	2.5 [63]	
PSL-V13	RED	10.0-13.0 [254-330]	14.5 [368]	4.0 [101]	3.0 [76]	
PSL-V13YEL	YELLOW	10.0-13.0 [254-330]	14.5 [368]	4.0 [101]	3.0 [76]	



NOTES:
 1. [] DENOTE MILLIMETERS
 2. COLOR REQUIREMENTS
 RED - PMS186
 BLUE - PMS285
 GREEN - PMS335
 YELLOW - PMS109

REV	DATE	BY	CHK	APR	DESCRIPTION	ECN
5	1-7-14	JHAC	KLN	MJPF	UPDATED DIMENSION B FOR PSL-V6GRN, YEL, AND BLU	GAECN01536
4	12-19-13	JHAC	MSAD	CLW	UPDATED VALVE HANDLE SIZES FOR PSL-V2*, CHANGED DRAWING SIZE	GAECN01506
3	3-29-06	RVU			PSL-V2A: 1-2.5 WAS 1-3 PSL-V6A: 2.5-6.5 WAS 3.0-6.5	4429
2	1-24-06	RVU			ADDED PANTONE COLOR #	4335
1	9-8-05	RVU	DWY		PART NO.'S PSL-V2, PSL-V4, AND PSL-V6 OBSOLETED ADDED PART NO.'S PSL-VS2A AND PSL-V6A	4168
R	9-9-03	RVU	DWY		DRAWING RELEASE	3399

TITLE		PSL-V*** GATE VALVE LOCKOUTS	
ITEM REVISION NAME		CUSTOMER DRAWING	
DATASET FILE NAME		G01204NZ/02	
UNLESS OTHERWISE SPECIFIED, DIMENSIONAL TOLERANCES ARE: IN [mm]		PANDUIT	
.x ± .032 [.81] .xxx ± .01 [.25] .xx ± .015 [.38] ANGLES ± 5 °			
DRAWING NUMBER:		C10094	
DRAWN BY	DATE	CHK	SCALE
RVU	9-9-03	MSAD	1:4
THIRD ANGLE PROJECTION		SHT 1 OF 1	
		A	

X-ON Electronics

Largest Supplier of Electrical and Electronic Components

Click to view similar products for [PPE Safety Equipment / Lockout Tagout](#) category:

Click to view products by [Panduit](#) manufacturer:

Other Similar products are found below :

[GPSL-8MK-3KEY](#) [GPSL-6KA](#) [GPSL-7KA](#) [GPSL-7LSMK](#) [GPSL-8MKEY](#) [35035](#) [35017](#) [70220-1302](#) [70220-1010](#) [35090](#) [35034](#) [PSL-USBB](#) [PSL-1.5A](#) [35067](#) [PSL-BV1](#) [35010](#) [35012](#) [35011](#) [35015](#) [H9A](#) [PSL-USBA](#) [PSL-GLBN](#) [322-2000](#) [2CLF36](#) [2CLF60](#) [35026](#) [35062](#) [X-ON-MOUSERCAT](#) [PSL-1007](#) [PSL-1009](#) [PSL-1012](#) [PSL-1021](#) [PSL-1028](#) [PSL-1059](#) [PSL-1083](#) [PSL-1080](#) [PSL-10SA](#) [PSL-10SWCA](#) [PSL-11BLK-LS](#) [PSL-11ORNG-LS](#) [PSL-20SA](#) [PSL-20SWCA](#) [PSL-3RED](#) [PSL-3RED-LS](#) [PSL-4SWCA](#) [PSL-5RED-LS](#) [PSL-6BL-LS](#) [PSL-6GR-LS](#) [PSL-6WH-LS](#) [PSL-6YL-LS](#)