

THIS COPY IS PROVIDED ON A RESTRICTED BASIS AND IS NOT TO BE USED IN ANY WAY DETRIMENTAL TO THE INTERESTS OF PANDUIT CORP.

| PART NUMBER | MATERIAL               | WIDTH "A"        | HEIGHT "B"        | TAGS & TIES PER PKG. | LAMINATION SIDE | HEADER | HEADER COLOR      | DESCRIPTION                      | LEGEND COLOR |
|-------------|------------------------|------------------|-------------------|----------------------|-----------------|--------|-------------------|----------------------------------|--------------|
| PST-1       | SLCT VINYL             | 2.00<br>( 50.8 ) | 3.00<br>( 76.2 )  | 10                   | FRONT ONLY      | BLANK  | BLANK             | BLANK                            | BLANK        |
| PST-2       | SLCT VINYL             | 3.25<br>( 82.6 ) | 5.75<br>( 146.0 ) | 5                    | FRONT ONLY      | BLANK  | BLANK             | BLANK                            | BLANK        |
| PST-3       | GMV5 AND SEZ-SNC VINYL | 3.00<br>( 76.2 ) | 5.75<br>( 146.0 ) | 5                    | FRONT ONLY      | DANGER | WHITE/RED & BLACK | SEE NOTE 2                       | BLACK/WHITE  |
| PST-4       | GMV5 AND SEZ-SNC VINYL | 3.50<br>( 88.9 ) | 5.75<br>( 146.0 ) | 25                   | FRONT ONLY      | BLANK  | BLANK             | BLANK                            | BLANK        |
| PST-5       | GMV5 AND SEZ-SNC VINYL | 3.50<br>( 88.9 ) | 5.75<br>( 146.0 ) | 25                   | FRONT AND BACK  | BLANK  | BLANK             | BLANK                            | BLANK        |
| PST-12      | GMV5 AND SEZ-SNC VINYL | 3.00<br>( 76.2 ) | 5.75<br>( 146.0 ) | 5                    | FRONT ONLY      | BLANK  | BLANK             | DO NOT THROW SYMBOL (SEE NOTE 3) | BLACK/WHITE  |

NOTES:  
1. MILLIMETER ARE IN ( ).

NOTE 2

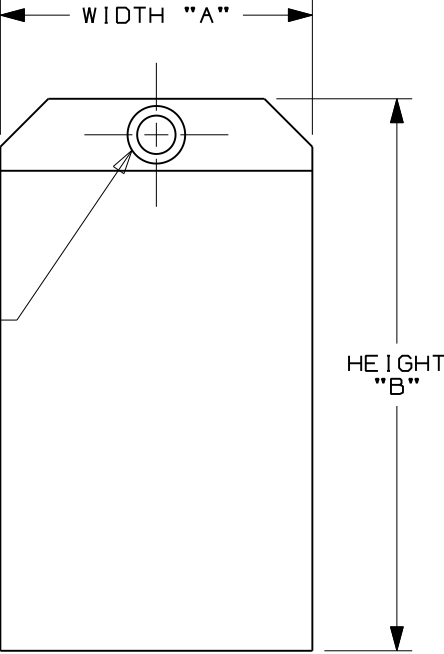
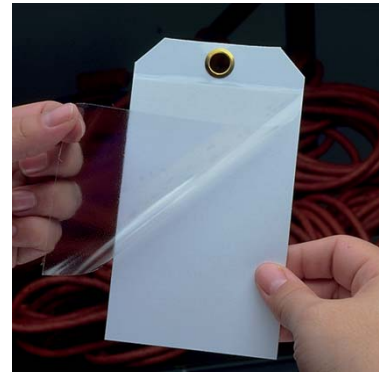
NOTE 3



Front PST-3 Back



Front PST-12 Back



3/8" GROMMET

HEIGHT "B"

CAD FILENAME/LAYERS 100318LX\_DC\_C10679/00A

**PANDUIT** CORP. TINLEY PARK, ILLINOIS

CUSTOMER DRAWING PST - \* INDOOR RIGID VINYL SAFETY TAG CARRIER AND PHOTO TAGS

UNLESS OTHERWISE SPECIFIED, DIMENSIONAL TOLERANCES ARE:  
 (.X) ± .075 (.XXX) ± .020  
 (.XX) ± .050 ANGLES ± 5°

UNLESS OTHERWISE SPECIFIED, ALL DIMENSIONS ARE GIVEN IN INCHES, THIRD ANGLE PROJECTION.

DRAWN BY RVU MAT'L; SCALE NTS  
 DATE 4/4/08 SEE TABLE DRAWING NO. C10679 DWG SIZE A

| REV | DATE   | BY  | CHK | DESCRIPTION      | ECN  | R | CUST | SUP |
|-----|--------|-----|-----|------------------|------|---|------|-----|
| 0   | 4/4/08 | RVU |     | DRAWING RELEASE. | 5382 | R |      |     |

## X-ON Electronics

Largest Supplier of Electrical and Electronic Components

*Click to view similar products for [Wire Labels & Markers](#) category:*

*Click to view products by [Panduit](#) manufacturer:*

Other Similar products are found below :

[89078GBEST](#) [89082GBESR](#) [89082GBEST](#) [PCL025-4](#) [5761-2SF](#) [58400](#) [586R734H02](#) [M1.040.0000.6](#) [CRS-CM5M](#) [CRS-M18M](#) [CS1836-000](#) [CS8626-000](#) [CU6337-000](#) [CU6342-000](#) [CU6343-000](#) [CWD01-0](#) [CWD012-0](#) [CWD012-7](#) [CWD015-3](#) [CWD015-7](#) [CWD02-0](#) [CWD02-3](#) [CWD02-4](#) [CWD02-6](#) [CWD02-8](#) [CWD02-A](#) [CWD02-D](#) [CWD02-H](#) [CWD02-K](#) [CWD02-L](#) [CWD02-M](#) [CWD02-P](#) [CWD02-Q](#) [CWD02-R](#) [CWD02-U](#) [CWD02-W](#) [CWD02-Y](#) [CWD03-+](#) [CWD03-0](#) [CWD03-P](#) [CWD06-0](#) [CWD06-8](#) [CWD06-9](#) [CWD06-L](#) [CWD06-N](#) [CWD09-0](#) [CWD09-5](#) [CWD09-7](#) [6806810001](#) [CZ2857-000](#)