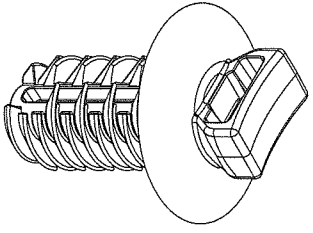
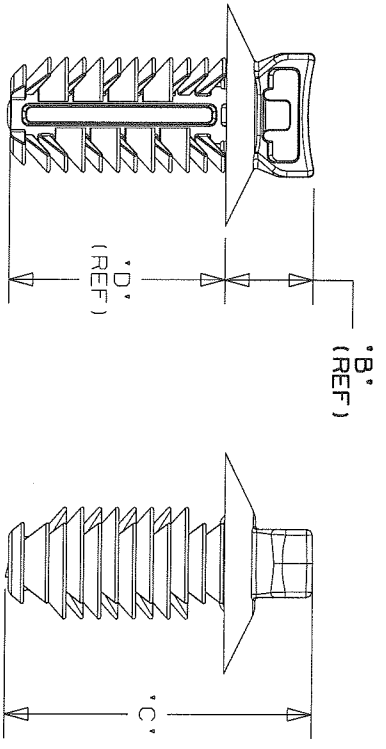
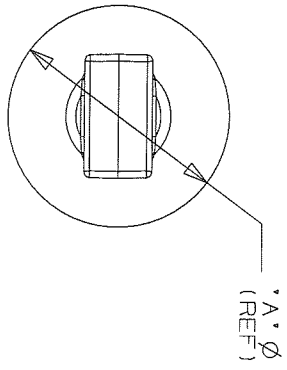


THIS COPY IS PROVIDED ON A RESTRICTED BASIS AND IS NOT TO BE USED IN ANY WAY DETRIMENTAL TO THE INTERESTS OF PANDUIT CORPORATION.

PANDUIT PART NUMBER	USED WITH CABLE TIES	DIMENSIONS					MATERIAL	WEIGHT grams/100pcs
		'A' (REF)	'B' (REF)	'C'	'D' (REF)			
PUM-925--30	M, I, S, LH, H	19.6	6.6	26.7	19.1	HEAT STABILIZED NYLON 6/6 BLACK	116.4	

NOTES:

- SEE CURRENT PRICE SHEET FOR PART NUMBER SUFFIX DESIGNATION FOR PACKAGE SIZE, AND COLOR.
- (\* ) DIMENSIONAL VARIANCE IS POSSIBLE DUE TO MOLDING PROCESS RELATED SINK MARKS.
- APPLICATION SPECIFICATION:  
HOLE DIAMETER: 8.8 - 9.3 mm  
PANEL THICKNESS: 1.0 - 16.0 mm



SCALE 1.5:1

CAD FILENAME/LAYERS  
G03151BC\_DC\_GB0239MO/09B  
**PANDUIT**  
CORP.  
TINLEY PARK, ILLINOIS

PUM-925--30  
PUSH UMBRELLA MOUNT 925

UNLESS OTHERWISE SPECIFIED, ALL DIMENSIONS ARE METRIC TOLERANCE: ±0.5MM

REV	DATE	BY	CHK	DESCRIPTION	ECN	R	CUST	SUP
09B	9-26-08	PSG		ADDED, & RENAMED DIMENSIONS	GB0239MO		09B	
09A	8-22-08	PSG		REMOVED 2 DIM, REMOVED RIB FROM HEAD, UPDATED FILE NAME AND CHANGED REV STYLE	GB0239MO		09A	
R	12-29-06	TMSA		INITIAL RELEASE	GB0239MO	R		

DRAWN BY TMSA  
DATE 12-29-06  
CHK'D **KLN**  
SCALE 1.5:1 UNLESS NOTED  
DRAWING NO. GB0239MO  
DWG SIZE A

SEE TABLE

## X-ON Electronics

Largest Supplier of Electrical and Electronic Components

*Click to view similar products for [Cable Mounting & Accessories](#) category:*

*Click to view products by [Panduit](#) manufacturer:*

Other Similar products are found below :

[582603-1](#) [009333-000](#) [727844N003](#) [747](#) [809090N001](#) [843188-000](#) [8666](#) [967279N002](#) [DB-11](#) [1300840039](#) [1300900096](#) [1301800416](#)  
[1302264450](#) [1300830184](#) [1300830729](#) [1300900039](#) [1301580036](#) [1301850553](#) [1301860939](#) [1302000074](#) [1302261315](#) [1302264431](#)  
[1337706-2](#) [APA18-AK](#) [1724](#) [1-787307-1](#) [185491N001](#) [1868](#) [HP-6N](#) [C-202-C](#) [202C221-13-0](#) [CA7308-000](#) [8S23-75FR-CS8184](#) [2684](#) [9648](#)  
[3089](#) [988382-000](#) [A72821-000](#) [AA401](#) [173506-000](#) [1823](#) [202C292-13-0](#) [202C302-13-0](#) [2109](#) [300625](#) [3330](#) [3412](#) [356247-1](#) [M9142](#)  
[M9143](#)