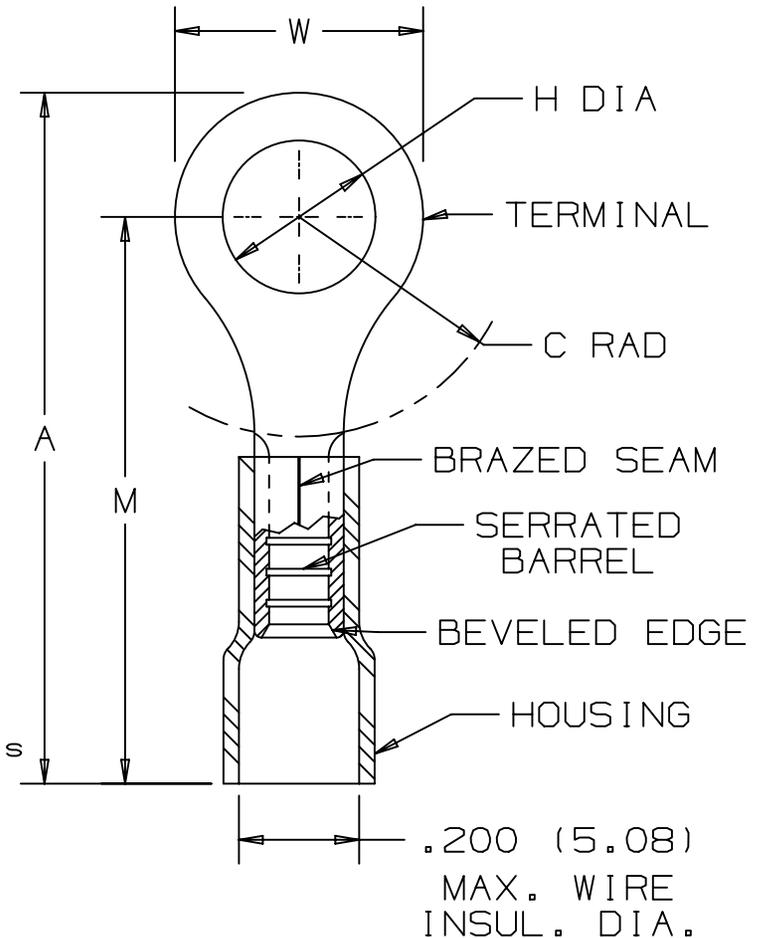


THIS COPY IS PROVIDED ON A RESTRICTED BASIS AND IS NOT TO BE USED IN ANY WAY DETRIMENTAL TO THE INTERESTS OF PANDUIT CORP.

| PANDUIT PART NUMBER | STUD SIZE | DIMENSIONS in. | | | | |
|---------------------|-----------|----------------|---------------|---------------|---------------|--------------|
| | | A ±.03 | W ±.01 | C ±.02 | M ±.03 | H ±.01 |
| PV14-4RX | #4 | .87 (22.0) | .25 (6.4) | .19 (4.8) | .75 (19.1) | .12 (3.0) |
| PV14-6RX | #6 | .96 (24.4) | .31 (7.9) | .25 (6.4) | .81 (20.1) | .15 (3.8) |
| PV14-8RX | #8 | .96 (24.4) | .31 (7.9) | .25 (6.4) | .81 (20.1) | .17 (4.3) |
| PV14-10RX | #10 | .96 (24.4) | .31 (7.9) | .25 (6.4) | .81 (20.1) | .20 (5.1) |
| PV14-14RX | 1/4" | 1.16 (29.5) | .46 (11.7) | .37 (9.4) | .95 (24.1) | .27 (6.9) |
| PV14-56RX | 5/16" | 1.16 (29.5) | .46 (11.7) | .37 (9.4) | .95 (24.1) | .33 (8.4) |
| PV14-38RX | 3/8" | 1.25 (31.8) | .53 (13.5) | .42 (10.7) | .99 (25.1) | .39 (9.9) |



Notes:

- U.L. Listed and CSA Certified for
 - 600v max. voltage rating (1000v in signs, fixtures, and luminaires)
 - 18-14 AWG solid or stranded copper wire and 221°F (105°C) max. temp. rating with the CT-500, CT-550, CT-1551, CT-1550 installation tools
 - 16-14 AWG solid or stranded copper wire and 167°F (75°C) max. temp. rating with the CT-100 installation tools.
- Material:
 - Stamping: .032 (.81) thk copper, tin plated
 - Housing: Vinyl, blue
- Strip length: 5/16 +1/32 -0
- SEE www.panduit.com FOR PART NUMBER SUFFIX DESIGNATION FOR PACKAGE SIZE.
- Dimensions in brackets are in millimeters or mm²



LISTED
587H
E52164



CERTIFIED
LR31212

PANDUIT CORP.

TINLEY PARK, ILLINOIS

#16-14 BARREL VINYL INSULATED RING
TONGUE, .200 (5.08) MAX. WIRE
INSULATION DIAMETER

05 8/11 SHOR MODIFIED NOTE #4, REMOVED PACKAGE SIZES

| REV | DATE | BY | DESCRIPTION | CUST | PM | DRAWN BY | CHK'D | SCALE | DRAWING NO. |
|-----|------|----|-------------|------|----|----------|-------|-------|-------------|
| | | | | | | DAW | CJH | NONE | A41270 |

X-ON Electronics

Largest Supplier of Electrical and Electronic Components

Click to view similar products for [Terminals](#) category:

Click to view products by [Panduit](#) manufacturer:

Other Similar products are found below :

[00-054007-01074-6](#) [00-054007-70206-1](#) [00-054007-70210-8](#) [00-054007-70217-7](#) [00-054007-70226-9](#) [00-054007-70228-3](#) [00-054007-70248-1](#) [00-054007-70256-6](#) [00-054007-70301-3](#) [00-054007-70316-7](#) [0-0320562-0](#) [00-054007-49560-4](#) [00-054007-70209-2](#) [00-054007-70225-2](#) [00-054007-70227-6](#) [00-054007-70231-3](#) [00-054007-70241-2](#) [00-054007-70242-9](#) [00-054007-70244-3](#) [00-054007-70246-7](#) [00-054007-70263-4](#) [00-054007-70288-7](#) [00-054007-70290-0](#) [00-054007-70300-6](#) [00-054007-70304-4](#) [01-2065-1-0216](#) [01-2900-1-04412](#) [00581P0075](#) [600TS-10](#) [60205-1](#) [604200-1](#) [605601-1](#) [60598-1-CUT-TAPE](#) [61314-6-C](#) [61810-3](#) [61-S](#) [61-SN](#) [626-0194](#) [62-NBM-A](#) [62-SN](#) [62-SP](#) [63-S](#) [640179-1](#) [M55155/059I03](#) [M55155/079C01](#) [M55155/099H02](#) [M55155/109H01](#) [M55155/109H02](#) [M55155/12XH05](#) [M55155/16XH02](#)