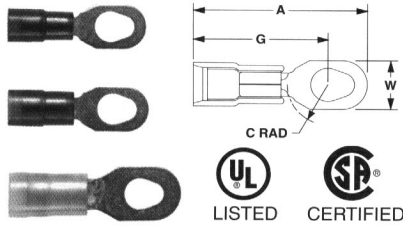


MULTIPLE STUD TERMINALS

Nylon Insulated

- Insulation Grip Sleeve
- Single Terminal for #6, #8 and #10 Size Studs

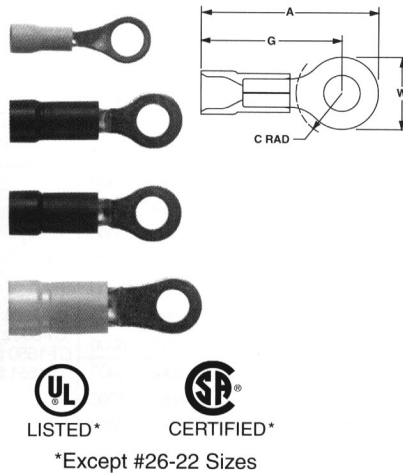


PANDUIT® Part Number	Wire Range	Color Code	Max. Ins.	Stud Size	Dimensions (In.)				Std. Pkg. Qty.	Std. Ctn. Qty.	Bulk Pkg. Qty.	Bulk Ctn. Qty.	Crimp Tools
					A	W	C	G					
PN18-610R-C	22-18 .03" Thick Stock	Red	.145	#6, #8, #10	.95	.31	.25	.70	100	500	1000	6000	CT-100‡ CT-600‡ CT-1550‡ CT-1551‡
PN14-610R-C	16-14 .03" Thick Stock	Blue	.162	#6, #8, #10	.95	.31	.25	.70	100	500	1000	6000	
PN10-610R-L	12-10 .04" Thick Stock	Yellow	.225	#6, #8, #10	1.15	.37	.31	.87	50	500	500	3000	
PV22-2R-C	26-22 .02" Thick Stock	Yellow	.110	#2	.68	.21	.18	.58	100	1000	1000	6000	CT-100 CT-600 CT-1525
PV22-4R-C				#4	.68	.21	.18	.58	100	1000	1000	6000	
PV22-6R-C				#6	.68	.21	.18	.58	100	1000	1000	6000	
PV22-8R-C				#8	.78	.26	.26	.65	100	1000	1000	6000	
PV22-10R-C				#10	.78	.32	.24	.62	100	1000	1000	6000	
PV18-4R-C	22-18 .03" Thick Stock	Red	.150	#4	.84	.25	.22	.69	100	500	1000	6000	CT-100‡ CT-600‡ CT-1550‡ CT-1551‡
PV18-6R-C				#6	.86	.25	.22	.70	100	500	1000	6000	
PV18-8R-C				#8	.91	.31	.26	.78	100	500	1000	6000	
PV18-10R-C				#10	.94	.31	.27	.78	100	500	1000	6000	
PV18-14R-C				1/4"	1.11	.46	.37	.88	100	500	1000	6000	
PV18-56R-C				5/16"	1.11	.46	.39	.88	100	500	1000	6000	
PV18-38R-C	3/8"	1.19	.53	.42	.96	100	500	1000	6000				
PV14-4R-C	16-14 .03" Thick Stock	Blue	.170	#4	.84	.25	.19	.71	100	500	1000	6000	CT-100‡ CT-600‡ CT-1550‡ CT-1551‡
PV14-6RN-C				#6	.84	.25	.19	.71	100	500	1000	6000	
PV14-6R-C				#6	.92	.31	.25	.76	100	500	1000	6000	
PV14-8R-C				#8	.92	.31	.25	.76	100	500	1000	6000	
PV14-10R-C				#10	.92	.31	.25	.76	100	500	1000	6000	
PV14-14R-C				1/4"	1.12	.46	.38	.89	100	500	1000	6000	
PV14-56R-C	5/16"	1.12	.46	.38	.89	100	500	1000	6000				
PV14-38R-L	3/8"	1.21	.53	.43	.94	50	500	1000	6000				
PV10-6R-L	12-10 .04" Thick Stock	Yellow	.225	#6	1.05	.31	.31	.89	50	500	500	3000	CT-100‡ CT-600‡ CT-1550‡ CT-1551‡
PV10-8R-L				#8	1.05	.31	.31	.89	50	500	500	3000	
PV10-10R-L				#10	1.05	.31	.31	.89	50	500	500	3000	
PV10-14R-L				1/4"	1.23	.52	.38	.97	50	500	500	3000	
PV10-56R-L				5/16"	1.23	.52	.38	.97	50	500	500	3000	
PV10-38R-L				3/8"	1.31	.58	.41	1.02	50	500	500	3000	
PV18-4RX-C	22-18 .03" Thick Stock	Red	.170	#4	.88	.25	.22	.76	100	500	1000	6000	CT-100‡ CT-600‡ CT-1550‡ CT-1551‡
PV18-6RX-C				#6	.89	.25	.22	.76	100	500	1000	6000	
PV18-8RX-C				#8	.97	.31	.27	.81	100	500	1000	6000	
PV18-10RX-C				#10	.96	.31	.27	.80	100	500	1000	6000	
PV18-14RX-C				1/4"	1.17	.46	.40	.92	100	500	1000	6000	
PV18-56RX-C				5/16"	1.17	.46	.40	.92	100	500	1000	6000	
PV18-38RX-C	3/8"	1.25	.53	.45	.95	100	500	1000	6000				
PV14-4RX-C	16-14 .03" Thick Stock	Blue	.200	#4	.87	.25	.19	.75	100	500	1000	6000	CT-100‡ CT-600‡ CT-1550‡ CT-1551‡
PV14-6RX-C				#6	.96	.31	.25	.81	100	500	1000	6000	
PV14-8RX-C				#8	.96	.31	.25	.81	100	500	1000	6000	
PV14-10RX-C				#10	.96	.31	.25	.81	100	500	1000	6000	
PV14-14RX-C				1/4"	1.16	.46	.37	.95	100	500	1000	6000	
PV14-56RX-C				5/16"	1.16	.46	.37	.95	100	500	1000	6000	
PV14-38RX-L	3/8"	1.25	.53	.42	.99	50	500	1000	6000				
PV10-6RX-L	12-10 .04" Thick Stock	Yellow	.250	#6	1.10	.31	.30	.93	50	500	500	3000	CT-100‡ CT-600‡ CT-1550‡ CT-1551‡
PV10-8RX-L				#8	1.10	.31	.30	.93	50	500	500	3000	
PV10-10RX-L				#10	1.10	.31	.30	.93	50	500	500	3000	
PV10-14RX-L				1/4"	1.29	.52	.39	1.00	50	500	500	3000	
PV10-56RX-L				5/16"	1.29	.52	.42	1.00	50	500	500	3000	
PV10-38RX-L				3/8"	1.39	.58	.46	1.08	50	500	500	3000	

RING TERMINALS

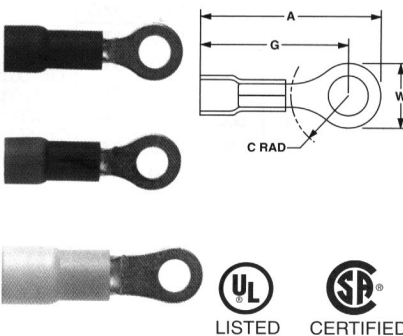
Vinyl Insulated Funnel Entry

- Insulation Support
- Brazed Seam



Vinyl Insulated Expanded Insulation

- For Large Wire Insulation O.D.
- Insulation Support
- Brazed Seam



‡ UL and CSA approved tooling/product combinations. Order the number of pieces required in multiples of standard package quantities. L = 50 pcs., C = 100 pcs., D = 500 pcs. and M = 1000 pcs. Prime items appear in **BOLD**.

X-ON Electronics

Largest Supplier of Electrical and Electronic Components

Click to view similar products for [Terminals](#) category:

Click to view products by [Panduit](#) manufacturer:

Other Similar products are found below :

[00-054007-01074-6](#) [00-054007-70206-1](#) [00-054007-70210-8](#) [00-054007-70217-7](#) [00-054007-70226-9](#) [00-054007-70228-3](#) [00-054007-70248-1](#) [00-054007-70256-6](#) [00-054007-70301-3](#) [00-054007-70316-7](#) [0-0320562-0](#) [00-054007-49560-4](#) [00-054007-70209-2](#) [00-054007-70225-2](#) [00-054007-70227-6](#) [00-054007-70231-3](#) [00-054007-70241-2](#) [00-054007-70242-9](#) [00-054007-70244-3](#) [00-054007-70246-7](#) [00-054007-70263-4](#) [00-054007-70288-7](#) [00-054007-70290-0](#) [00-054007-70300-6](#) [00-054007-70304-4](#) [01-2065-1-0216](#) [01-2900-1-04412](#) [00581P0075](#) [600TS-10](#) [60205-1](#) [604200-1](#) [605601-1](#) [60598-1-CUT-TAPE](#) [61314-6-C](#) [61810-3](#) [61-S](#) [61-SN](#) [626-0194](#) [62-NBM-A](#) [62-SN](#) [62-SP](#) [63-S](#) [640179-1](#) [M55155/059I03](#) [M55155/079C01](#) [M55155/099H02](#) [M55155/109H01](#) [M55155/109H02](#) [M55155/12XH05](#) [M55155/16XH02](#)