

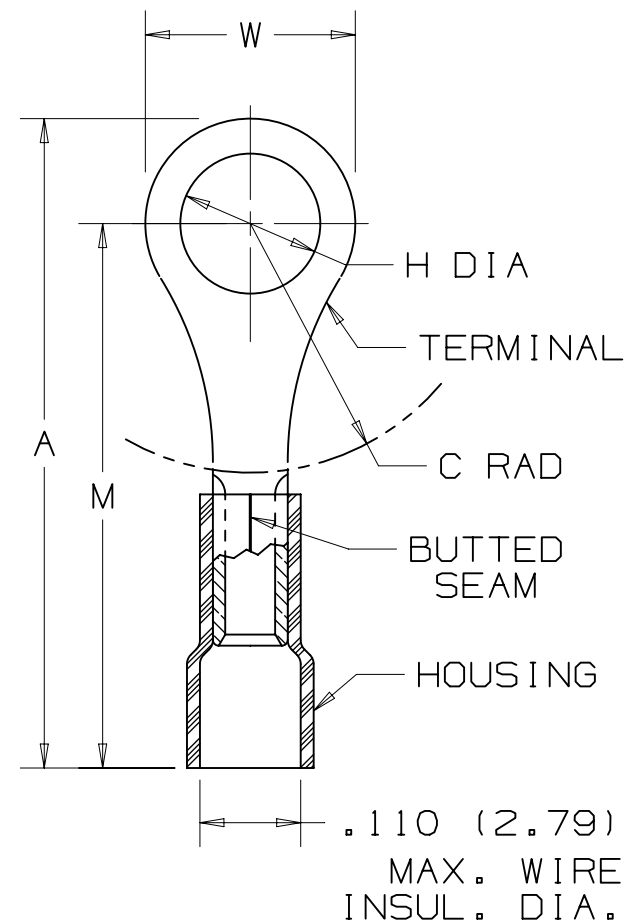
2

1

THIS COPY IS PROVIDED ON A RESTRICTED BASIS AND IS NOT TO BE USED IN ANY WAY DETRIMENTAL TO THE INTERESTS OF PANDUIT CORP.

PANDUIT PART #	STUD SIZE	DIMENSIONS in [mm]				
		A ± .03 [0,8]	W ± .01 [0,3]	C ± .02 [0,51]	M ± .03 [0,8]	H ± .01 [0,3]
PV22-2R	#2	.68 [17,27]	.21 [5,33]	.18 [4,57]	.58 [14,73]	.10 [2,54]
PV22-4R	#4	.68 [17,27]	.21 [5,33]	.18 [4,57]	.58 [14,73]	.12 [3,05]
PV22-6R	#6	.68 [17,27]	.21 [5,33]	.18 [4,57]	.58 [14,73]	.15 [3,81]
PV22-8R	#8	.78 [19,81]	.26 [6,60]	.26 [6,60]	.65 [16,51]	.17 [4,32]
PV22-10R	#10	.78 [19,81]	.32 [8,13]	.24 [6,10]	.62 [15,75]	.20 [5,08]

INSTALLATION TOOLS
CT-520
CT-1525 (A POCKET)
CT-2500 (CT-2525CH: A PKT)



NOTES:

1. RECOMMENDED FOR:

- A. #26-22 AWG SOLID OR STRANDED COPPER WIRE
- B. 221°F [105°C] MAX TEMP. RATING
- C. 600V MAX VOLTAGE RATING

2. MATERIAL:

- A. STAMPING - .02" [0,5] THK COPPER, TIN PLATED
- B. HOUSING - VINYL, YELLOW

3. SEE [www.panduit.com](http://www.panduit.com) FOR PACKAGE QUANTITIES

4. DIMENSIONS IN BRACKETS ARE IN MILLIMETERS

5. WIRE STRIP LENGTH: 3/16" <sup>+1/32</sup><sub>-0</sub> [4,8mm <sup>+0,8</sup><sub>-0</sub>]

TITLE	
<b>RING TERMINAL, VINYL INSULATED #26-22 AWG CUSTOMER DRAWING</b>	
ITEM REVISION NAME	N41230BA/11
DATASET FILE NAME	N41230BA/11
UNLESS OTHERWISE SPECIFIED, DIMENSIONAL TOLERANCES ARE: IN [mm]	
$\begin{matrix} .X \pm & .JXX \pm \\ .JXX \pm & .AMLES \pm \end{matrix}$	
<b>THIRD ANGLE PROJECTION</b>	
DRAWN BY	DAW
DATE	
CHK	CJH
SCALE	NONE
<b>PANDUIT</b>	
MATERIAL: SEE NOTES	
DRAWING NUMBER: A41230	
REV	DATE
BY	CHK
APR	
DESCRIPTION	
ECN	
SHT 1 OF 1	
SIZE <b>A</b>	

2

1

D10100DA/16

## X-ON Electronics

Largest Supplier of Electrical and Electronic Components

*Click to view similar products for [Terminals](#) category:*

*Click to view products by [Panduit](#) manufacturer:*

Other Similar products are found below :

[00-054007-01074-6](#) [00-054007-70206-1](#) [00-054007-70210-8](#) [00-054007-70217-7](#) [00-054007-70226-9](#) [00-054007-70228-3](#) [00-054007-70248-1](#) [00-054007-70256-6](#) [00-054007-70301-3](#) [00-054007-70316-7](#) [0-0320562-0](#) [00-054007-49560-4](#) [00-054007-70209-2](#) [00-054007-70225-2](#) [00-054007-70227-6](#) [00-054007-70231-3](#) [00-054007-70241-2](#) [00-054007-70242-9](#) [00-054007-70244-3](#) [00-054007-70246-7](#) [00-054007-70263-4](#) [00-054007-70288-7](#) [00-054007-70290-0](#) [00-054007-70300-6](#) [00-054007-70304-4](#) [01-2065-1-0216](#) [01-2900-1-04412](#) [00581P0075](#) [600TS-10](#) [60205-1](#) [604200-1](#) [605601-1](#) [60598-1-CUT-TAPE](#) [61314-6-C](#) [61810-3](#) [61-S](#) [61-SN](#) [626-0194](#) [62-NBM-A](#) [62-SN](#) [62-SP](#) [63-S](#) [640179-1](#) [M55155/059I03](#) [M55155/079C01](#) [M55155/099H02](#) [M55155/109H01](#) [M55155/109H02](#) [M55155/12XH05](#) [M55155/16XH02](#)