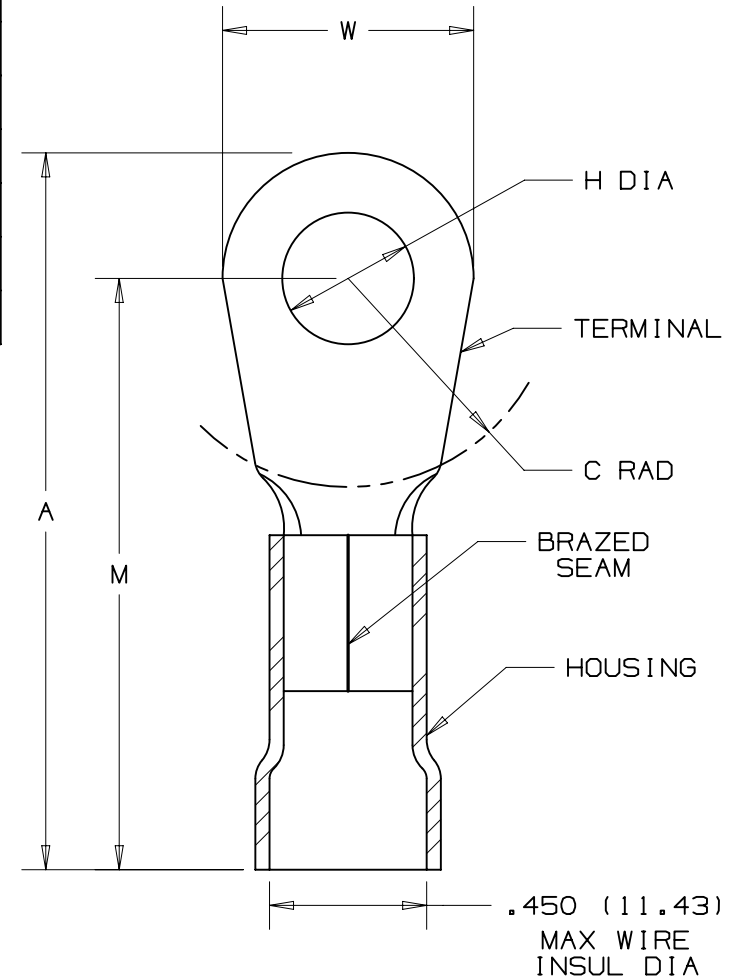


THIS COPY IS PROVIDED ON A RESTRICTED BASIS AND IS NOT TO BE USED IN ANY WAY DETRIMENTAL TO THE INTERESTS OF PANDUIT CORP.

PANDUIT PART NUMBER	STUD SIZE	DIMENSIONS - in.					TOOLS
		A ± .03	W ± .01	C ± .02	M ± .03	H ± .01	
PV4-10R	#10	1.88 (47.75)	.55 (13.97)	.50 (12.7)	1.61 (40.89)	.20 (5.08)	CT-720 (CD-720PV8-2) CT-2600 (CD-2600-PV4)
PV4-14R	1/4"	1.88 (47.75)	.55 (13.97)	.50 (12.7)	1.61 (40.89)	.27 (6.86)	
PV4-56R	5/16"	1.95 (49.53)	.68 (17.27)	.50 (12.7)	1.61 (40.89)	.33 (8.38)	
PV4-38R	3/8"	1.95 (49.53)	.68 (17.27)	.50 (12.7)	1.61 (40.89)	.39 (9.91)	
PV4-12R	1/2"	2.04 (51.82)	.86 (21.84)	.50 (12.7)	1.61 (40.89)	.52 (13.21)	



NOTES:

- cULus LISTED FOR:
 - 600V MAX VOLTAGE RATING
 - 221° F (105° C) MAX TEMP RATING
 - #4 AWG STRANDED COPPER WIRE
- SEE WWW.PANDUIT.COM FOR PACKAGE QUANTITIES
- MATERIAL:
 - STAMPING - .050" (1.27) THK, COPPER TIN PLATED
 - HOUSING - VINYL, YELLOW
- DIMENSIONS IN BRACKETS ARE IN MILLIMETERS
- WIRE STRIP LENGTH: $1/2 + 1/32$ (12.7 + .8) - 0



TITLE
#4 BARREL VINYL INSULATED RING TONGUE
.450 (11.43) MAX. WIRE INSUL. DIAMETER
CUSTOMER DRAWING

ITEM REVISION NAME N41217BB/06	PANDUIT
DATASET FILE NAME N41217BB/06 A41217	
UNLESS OTHERWISE SPECIFIED, DIMENSIONAL TOLERANCES ARE: IN [mm] .X ± .XXX ± .XX ± ANGLES ±	MATERIAL: SEE NOTE 3
THIRD ANGLE PROJECTION	DRAWING NUMBER: A41217
DRAWN BY DAW	DATE
CHK	SCALE NONE
DESCRIPTION	SHT 1 OF 1
ECN	SIZE A

D10100DA/16

X-ON Electronics

Largest Supplier of Electrical and Electronic Components

Click to view similar products for [Terminals](#) category:

Click to view products by [Panduit](#) manufacturer:

Other Similar products are found below :

[00-054007-01074-6](#) [00-054007-70206-1](#) [00-054007-70210-8](#) [00-054007-70217-7](#) [00-054007-70226-9](#) [00-054007-70228-3](#) [00-054007-70248-1](#) [00-054007-70256-6](#) [00-054007-70301-3](#) [00-054007-70316-7](#) [0-0320562-0](#) [00-054007-49560-4](#) [00-054007-70209-2](#) [00-054007-70225-2](#) [00-054007-70227-6](#) [00-054007-70231-3](#) [00-054007-70241-2](#) [00-054007-70242-9](#) [00-054007-70244-3](#) [00-054007-70246-7](#) [00-054007-70263-4](#) [00-054007-70288-7](#) [00-054007-70290-0](#) [00-054007-70300-6](#) [00-054007-70304-4](#) [01-2065-1-0216](#) [01-2900-1-04412](#) [00581P0075](#) [600TS-10](#) [60205-1](#) [604200-1](#) [605601-1](#) [60598-1-CUT-TAPE](#) [61314-6-C](#) [61810-3](#) [61-S](#) [61-SN](#) [626-0194](#) [62-NBM-A](#) [62-SN](#) [62-SP](#) [63-S](#) [640179-1](#) [M55155/059I03](#) [M55155/079C01](#) [M55155/099H02](#) [M55155/109H01](#) [M55155/109H02](#) [M55155/12XH05](#) [M55155/16XH02](#)