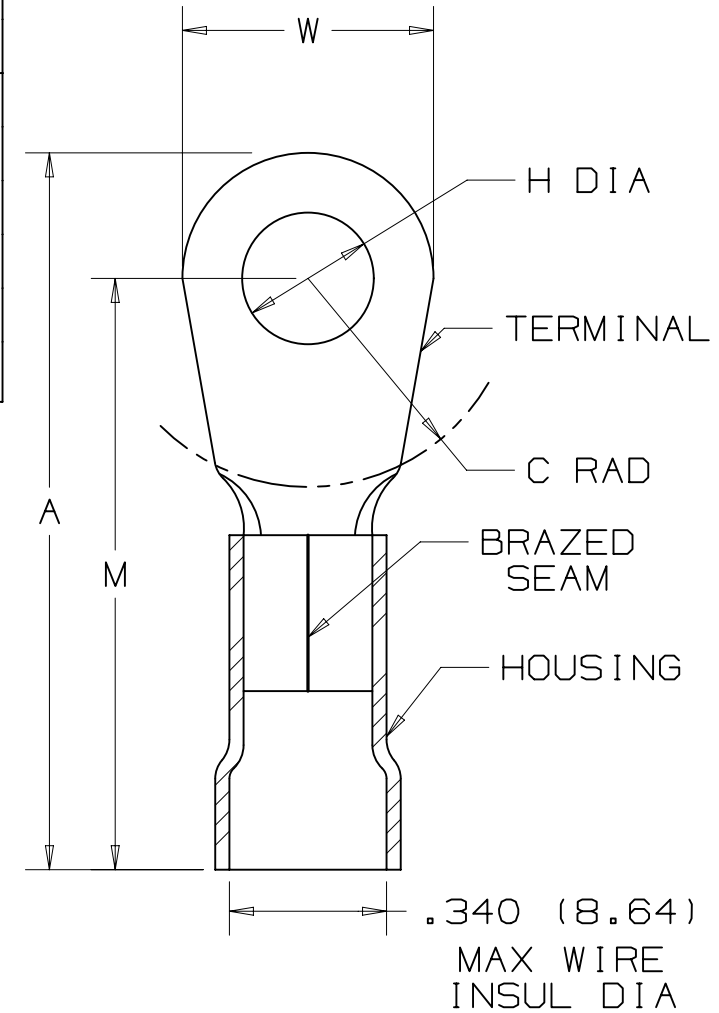


THIS COPY IS PROVIDED ON A RESTRICTED BASIS AND IS NOT TO BE USED IN ANY WAY DETRIMENTAL TO THE INTERESTS OF PANDUIT CORP.

PANDUIT PART NUMBER	STUD SIZE	DIMENSIONS - in.					TOOLS
		A	W	C	M	H	
PV6-8R	#8	1.61 (40.89)	.47 (11.94)	.43 (10.92)	1.38 (35.05)	.18 (4.57)	CT-720 (CD-720PV8-2)  CT-2600 (CD-2600-PV6)
PV6-10R	#10	1.62 (41.15)	.47 (11.94)	.43 (10.92)	1.38 (35.05)	.20 (5.08)	
PV6-14R	1/4"	1.65 (41.91)	.47 (11.94)	.48 (12.19)	1.38 (35.05)	.27 (6.86)	
PV6-56R	5/16"	1.74 (44.20)	.62 (15.75)	.53 (13.46)	1.44 (36.58)	.33 (8.38)	
PV6-38R	3/8"	1.74 (44.20)	.62 (15.75)	.51 (12.95)	1.44 (36.58)	.40 (10.16)	
PV6-12R	1/2"	1.84 (46.74)	.82 (20.83)	.51 (12.95)	1.44 (36.58)	.52 (13.21)	



NOTES:

- cULus LISTED FOR:
  - A. 600V MAX VOLTAGE RATING
  - B. 221° F (105° C) MAX TEMP RATING
  - C. #6 AWG STRANDED COPPER WIRE
- SEE WWW.PANDUIT.COM FOR PACKAGE QUANTITIES
- MATERIAL:
  - A. STAMPING - .045" (1.14) THK, COPPER TIN PLATED
  - B. HOUSING - VINYL, BLUE
- DIMENSIONS IN BRACKETS ARE IN MILLIMETERS
- WIRE STRIP LENGTH: 7/16 + 1/32 (11.1 + .8) - 0



LISTED  
587H  
E52164

07	06/14	MBY	JHNU	RGB	REVISED UL LOGO TO cULus LOGO, REVISED NOTES, MOVED TOOLS TO TABLE, UPDATED BORDER				N41218BB-A41218

TITLE		#6 BARREL VINYL INSULATED RING TONGUE .340 [ 8.64 ] MAX. WIRE INSUL. DIAMETER	
ITEM REVISION NAME		N41218BB/07	
DATASET FILE NAME		N41218BB/07	
UNLESS OTHERWISE SPECIFIED, DIMENSIONAL TOLERANCES ARE: IN [ mm ]		MATERIAL: SEE NOTE 3	
.X ± .XX ±		.XXX ± ANGLES ±	
THIRD ANGLE PROJECTION		DRAWING NUMBER: A41218	
DRAWN BY	DATE	CHK	SCALE
DAW			NONE
SHT 1 OF 1		SIZE A	

D10100DA/16

## X-ON Electronics

Largest Supplier of Electrical and Electronic Components

*Click to view similar products for [Terminals](#) category:*

*Click to view products by [Panduit](#) manufacturer:*

Other Similar products are found below :

[00-054007-01074-6](#) [00-054007-70206-1](#) [00-054007-70210-8](#) [00-054007-70217-7](#) [00-054007-70226-9](#) [00-054007-70228-3](#) [00-054007-70248-1](#) [00-054007-70256-6](#) [00-054007-70301-3](#) [00-054007-70316-7](#) [0-0320562-0](#) [00-054007-49560-4](#) [00-054007-70209-2](#) [00-054007-70225-2](#) [00-054007-70227-6](#) [00-054007-70231-3](#) [00-054007-70241-2](#) [00-054007-70242-9](#) [00-054007-70244-3](#) [00-054007-70246-7](#) [00-054007-70263-4](#) [00-054007-70288-7](#) [00-054007-70290-0](#) [00-054007-70300-6](#) [00-054007-70304-4](#) [01-2065-1-0216](#) [01-2900-1-04412](#) [00581P0075](#) [600TS-10](#) [60205-1](#) [604200-1](#) [605601-1](#) [60598-1-CUT-TAPE](#) [61314-6-C](#) [61810-3](#) [61-S](#) [61-SN](#) [626-0194](#) [62-NBM-A](#) [62-SN](#) [62-SP](#) [63-S](#) [640179-1](#) [M55155/059I03](#) [M55155/079C01](#) [M55155/099H02](#) [M55155/109H01](#) [M55155/109H02](#) [M55155/12XH05](#) [M55155/16XH02](#)