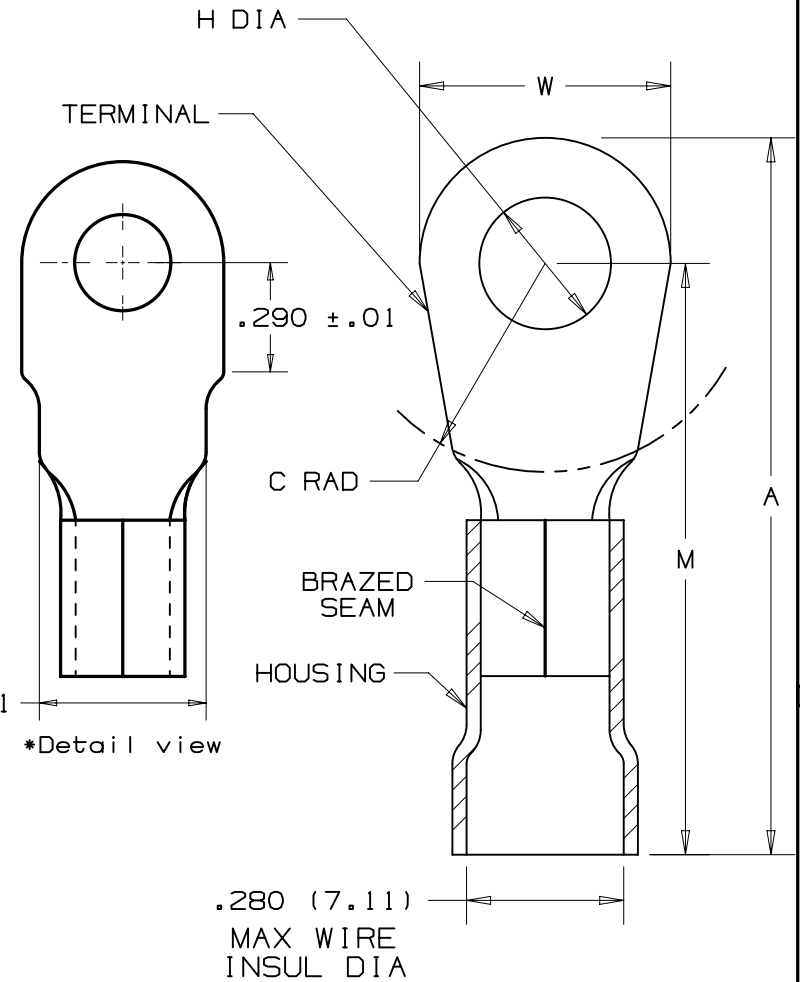


THIS COPY IS PROVIDED ON A RESTRICTED BASIS AND IS NOT TO BE USED IN ANY WAY DETRIMENTAL TO THE INTERESTS OF PANDUIT CORP.

PANDUIT PART NUMBER	STUD SIZE	DIMENSIONS - in.					TOOLS
		A ± .03	W ± .01	C ± .02	M ± .03	H ± .01	
*PV8-8RN	#8	1.48 (37.59)	.36 (9.14)	.43 (10.92)	1.30 (33.02)	.17 (4.32)	CT-720 (CD-720PV8-2) CT-2600 (CD-2600-PV8)
PV8-8R	#8	1.51 (38.86)	.42 (10.67)	.43 (10.92)	1.30 (33.02)	.17 (4.32)	
PV8-10R	#10	1.53 (38.86)	.47 (11.94)	.43 (10.92)	1.30 (33.02)	.20 (5.08)	
PV8-14R	1/4"	1.53 (38.86)	.47 (11.94)	.43 (10.92)	1.30 (33.02)	.27 (6.86)	
PV8-56R	5/16"	1.64 (41.66)	.59 (14.99)	.51 (12.95)	1.35 (34.29)	.33 (8.38)	
PV8-38R	3/8"	1.64 (41.66)	.59 (14.99)	.51 (12.95)	1.35 (34.29)	.39 (9.91)	
PV8-12R	1/2"	1.74 (44.20)	.82 (20.83)	.51 (12.95)	1.35 (34.29)	.52 (13.21)	



NOTES:

- cULus LISTED FOR:
 A. 600V MAX VOLTAGE RATING
 B. 221° F (105° C) MAX TEMP RATING
 C. #8 AWG STRANDED COPPER WIRE
- SEE WWW.PANDUIT.COM FOR PACKAGE QUANTITIES
- MATERIAL:
 A. STAMPING - .040" (1.02) THK, COPPER TIN PLATED
 B. HOUSING - VINYL, RED
- DIMENSIONS IN BRACKETS ARE IN MILLIMETERS
- WIRE STRIP LENGTH: $3/8 + 1/32$ (9.5 + .8)
 - 0 - 0



TITLE					
#8 BARREL VINYL INSULATED RING TONGUE .280 [7.11] MAX. WIRE INSUL. DIAMETER					
CUSTOMER DRAWING					
ITEM REVISION NAME			N41219BB/12		
DATASET FILE NAME			N41219BB/12		
UNLESS OTHERWISE SPECIFIED, DIMENSIONAL TOLERANCES ARE: IN [mm]				MATERIAL: SEE NOTE 3	
.X ±		.XXX ±		DRAWING NUMBER: A41219	
.XX ±		ANGLES ±			
		THIRD ANGLE PROJECTION			
DRAWN BY	DATE	CHK	SCALE	SIZE	
DAW			NONE	SHT 1 OF 1	A

REV	DATE	BY	CHK	APR	DESCRIPTION	ECN
12	9/14	JHNU	JHNU	RGB	ADDED ASTERISK TO PV8-8RN TO REFERENCE DETAIL VIEW	N41219BA-A41219
11	6/14	MBY	JHNU	RGB	REVISED UL LOGO TO cULus LOGO, REVISED NOTES, MOVED TOOLS TO TABLE, UPDATED BORDER	N41219BB-A41219

D10100DA/16

X-ON Electronics

Largest Supplier of Electrical and Electronic Components

Click to view similar products for [Terminals](#) category:

Click to view products by [Panduit](#) manufacturer:

Other Similar products are found below :

[00-054007-01074-6](#) [00-054007-70206-1](#) [00-054007-70210-8](#) [00-054007-70217-7](#) [00-054007-70226-9](#) [00-054007-70228-3](#) [00-054007-70248-1](#) [00-054007-70256-6](#) [00-054007-70301-3](#) [00-054007-70316-7](#) [0-0320562-0](#) [00-054007-49560-4](#) [00-054007-70209-2](#) [00-054007-70225-2](#) [00-054007-70227-6](#) [00-054007-70231-3](#) [00-054007-70241-2](#) [00-054007-70242-9](#) [00-054007-70244-3](#) [00-054007-70246-7](#) [00-054007-70263-4](#) [00-054007-70288-7](#) [00-054007-70290-0](#) [00-054007-70300-6](#) [00-054007-70304-4](#) [01-2065-1-0216](#) [01-2900-1-04412](#) [00581P0075](#) [600TS-10](#) [60205-1](#) [604200-1](#) [605601-1](#) [60598-1-CUT-TAPE](#) [61314-6-C](#) [61810-3](#) [61-S](#) [61-SN](#) [626-0194](#) [62-NBM-A](#) [62-SN](#) [62-SP](#) [63-S](#) [640179-1](#) [M55155/059I03](#) [M55155/079C01](#) [M55155/099H02](#) [M55155/109H01](#) [M55155/109H02](#) [M55155/12XH05](#) [M55155/16XH02](#)