

# PanView iQ™ (PViQ™) 12V Power Supply

## specifications

The PViQ™ Power Supply shall provide 12V DC power to a single PViQ™ System, consisting of one panel manager and three expansion modules. The power supply shall connect to the Panel Manager, which then branches the power to the expansion modules. Geographic-specific models of the Power Supply are available, provided with an AC power cord specific to each region.



## technical information

<b>Dimensions:</b>	1.32"H x 4.33"W x 2.13"D (34mm x 110mm x 54mm)
<b>Weight:</b>	0.924 lbs. (0.42 kg)
<b>Input voltage:</b>	100 to 250V AC
<b>Input frequency:</b>	47 to 63 Hz
<b>Output voltage:</b>	12V DC +/- 0.6V
<b>DC output power:</b>	30W for -S, -J, and -C 36W for -E, -U, and -UNI
<b>DC output connector:</b>	2.1mm (inside diameter) x 5.5mm (outside diameter) barrel plug right angle (center = positive)
<b>DC output current:</b>	2.5A Max
<b>DC power cord length:</b>	60" (1524mm) Nominal
<b>AC power cord:</b>	Determined by power supply part number (see page 2)
<b>Packaging:</b>	Includes power supply with attached DC output cord and removable region-specific AC power cord

## key features and benefits

<b>Regional power conversion</b>	Five models available with AC power connectors specific to geographic regions
<b>Flexibility</b>	Compact size allows for placement in a variety of zero-RU locations within the cabinet

## applications

Panduit's PViQ™ System Hardware, which includes intelligent patch panels, modules, and cabling, seamlessly feeds information directly into the Physical Infrastructure Manager™ (PIM™) Software Platform to provide continuous real-time patch field monitoring and visibility of physical infrastructure connectivity, for enhanced system reliability and security, and capacity management.

The PViQ™ Power Supply converts local AC power to 12V DC electricity to provide regulated power to a PViQ™ Panel Manager and up to three expansion modules.

### PanView iQ™ Power Supply

<b>Universal:</b>	PVQ-PS12VDC-UNI
<b>North America:</b>	PVQ-PS12VDC-S
<b>Europe:</b>	PVQ-PS12VDC-E
<b>UK:</b>	PVQ-PS12VDC-U
<b>Japan:</b>	PVQ-PS12VDC-J
<b>China:</b>	PVQ-PS12VDC-C

### PanView iQ™ Intelligence Modules

<b>Panel manager (PM):</b>	PVQ-PM
<b>Expansion module (EM):</b>	PVQ-EM

NOTE: PM requires PanView iQ™ Power Supply (not included).

### PanView iQ™ Patch Panels

<b>Modular, intelligent, blank 24-port</b>	
<b>Flat unshielded:</b>	PVQ-MIQPU24
<b>Flat shielded:</b>	PVQ-MIQPS24
<b>Angled unshielded:</b>	
	PVQ-MIQAPU24
<b>Angled shielded:</b>	
	PVQ-MIQAPS24

### PanView iQ™ Hardware Kits

**Kit with (4) PanView iQ™ Patch Panels, (1) PanView iQ™ PM, (3) PanView iQ™ EMs, and accessories**

<b>Flat unshielded kit:</b>	
	PVQ-MIQPS96F
<b>Angled unshielded kit:</b>	
	PVQ-MIQPS96A

NOTE: PM requires PanView iQ™ Power Supply (not included).

### PanView iQ™ Fiber Trays

<b>Open fiber tray:</b>	PVQ-FMT
<b>MTP<sup>^</sup> singlemode fiber tray:</b>	
	PVQ-FMTMTP-9
<b>OM3 MTP<sup>^</sup> multimode fiber tray:</b>	
	PVQ-FMTMTP-ZX
<b>OM4 MTP<sup>^</sup> multimode fiber tray:</b>	
	PVQ-FMTMTP-ZZ

### PanView iQ™ Expansion Port Cables

<b>14":</b>	PVQ-EPC14
<b>20":</b>	PVQ-EPC20
<b>28":</b>	PVQ-EPC28
<b>35":</b>	PVQ-EPC35
<b>43":</b>	PVQ-EPC43

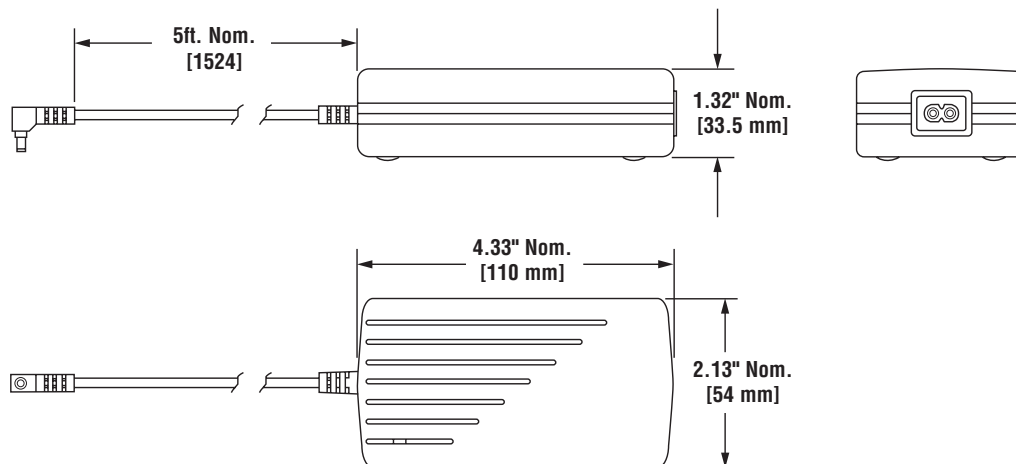
<sup>^</sup>MTP is a registered trademark of US Conec Ltd.

# PanView iQ™ (PViQ™) 12V Power Supply

## AC Power Cord

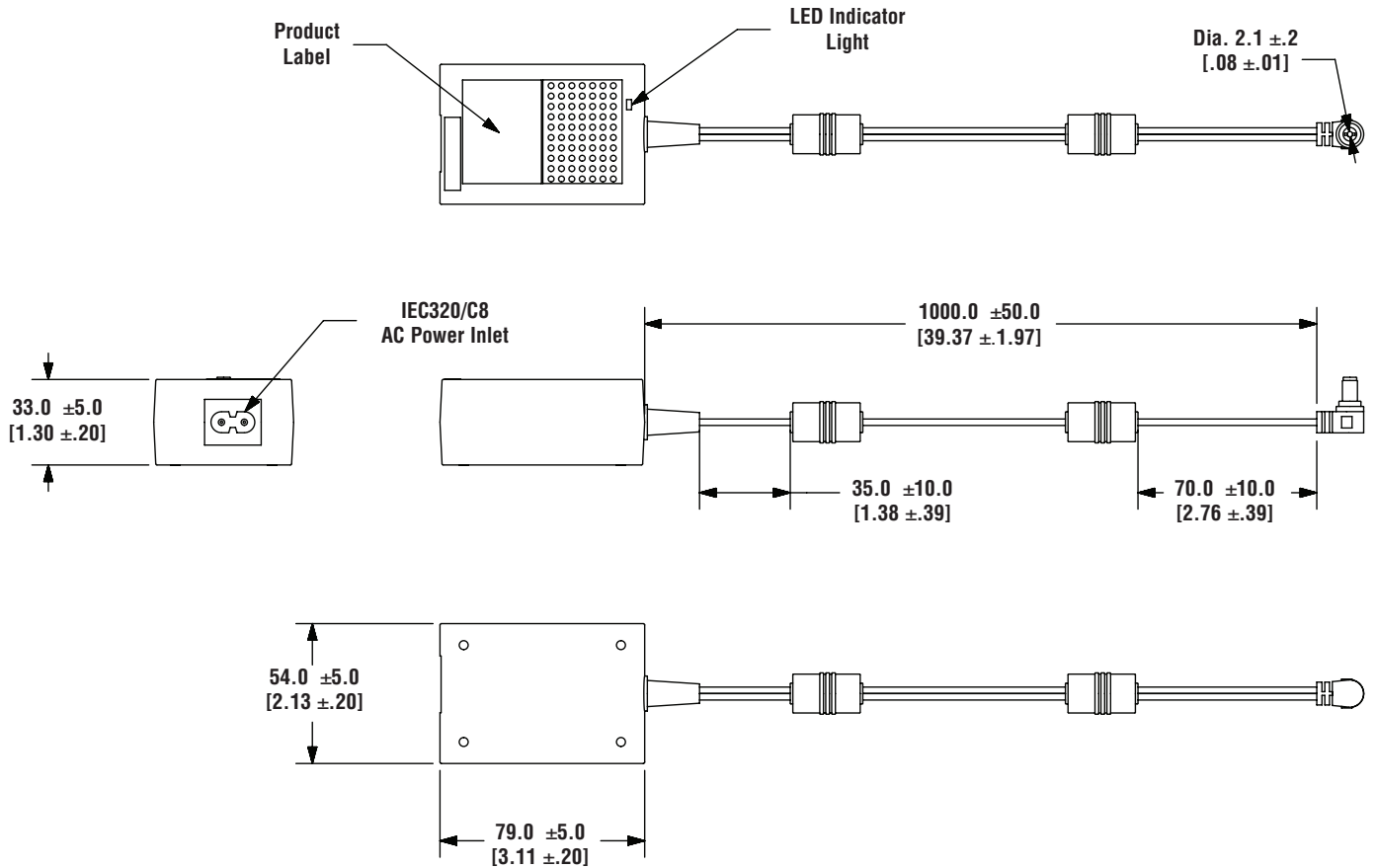
Part Number	Region	Length	AC Power Connectors
PVQ-PS12VDC-S	North America	6 ft. [1830mm]	NEMA 1-15P to IEC 320/C7
PVQ-PS12VDC-E	European Union	6.5 ft. [2000mm]	Schuko CEE 7/16 to IEC 320/C7 and mounting bracket
PVQ-PS12VDC-U	UK	6.5 ft. [2000mm]	BSI1363 (3A) to IEC 320/C7
PVQ-PS12VDC-J	Japan	6 ft. [1830mm]	JIS 8303 to IEC 320/C7
PVQ-PS12VDC-C	China	6 ft. [1830mm]	GB 2099 China 2 to IEC 320/C7
PVQ-PS12VDC-UNI	Universal	6 ft. [1830mm]	IEC 320/C18 to IEC 320/C7 and Schuko CEE 7/16 to IEC 320/C7 to & mounting bracket

Environmental Testing	
<i>Operating Temperature (ambient)</i>	32°F to 122°F (0°C to 50°C)
<i>Operating Humidity</i>	Up to 95%, non-condensing
<i>Storage Temperature</i>	-40°F to 185°F (-40°C to 85°C)
<i>Storage Humidity</i>	Up to 95%, non-condensing
<i>Operating Altitude</i>	-1,000' to 10,000' (-305M to 3,048M)
Regulatory Compliance	
<i>Designed to meet international requirements</i>	USA, Canada, European Union (CE Mark), Japan, China
Electromagnetic Compatibility	
<i>Designed to meet international requirements</i>	USA, Canada, European Union (CE Mark), Japan, China, FCC Part 15 Subpart B Class A limit; ICES-003; CCC CISPR 22; EN 55022 Class A limit; EN 55024
Safety Approvals	
<i>Designed to meet international requirements</i>	USA, Canada, European Union (CE Mark), Japan, China, IEC 60950-1 CB Certificate, UL 60950-1; CAN/CSA c22.2 No. 60950-1; EN 60950-1



The above dimensions are for the 30 W power supply (-S, -J, and -C).  
Dimensions are in inches. [Dimensions in brackets are metric].

# PanView iQ™ (PViQ™) 12V Power Supply



The above dimensions are for the 36 W power supply (-E, -U, and -UNI).  
Dimensions are in inches. [Dimensions in brackets are metric].

## WORLDWIDE SUBSIDIARIES AND SALES OFFICES

PANDUIT CANADA  
Markham, Ontario  
cs@panduit.com  
Phone: 800.777.3300

PANDUIT EUROPE LTD.  
London, UK  
cs-emea@panduit.com  
Phone: 44.20.8601.7200

PANDUIT SINGAPORE PTE. LTD.  
Republic of Singapore  
cs-ap@panduit.com  
Phone: 65.6305.7575

PANDUIT JAPAN  
Tokyo, Japan  
cs-japan@panduit.com  
Phone: 81.3.6863.6000

PANDUIT LATIN AMERICA  
Guadalajara, Mexico  
cs-la@panduit.com  
Phone: 52.33.3777.6000

PANDUIT AUSTRALIA PTY. LTD.  
Victoria, Australia  
cs-aus@panduit.com  
Phone: 61.3.9794.9020

For a copy of Panduit product warranties, log on to [www.panduit.com/warranty](http://www.panduit.com/warranty)

For more information

Visit us at [www.panduit.com](http://www.panduit.com)

Contact Customer Service by email: [cs@panduit.com](mailto:cs@panduit.com)  
or by phone: 800.777.3300

**PANDUIT**®

©2017 Panduit Corp.  
ALL RIGHTS RESERVED.  
PVSP65--WW-ENG  
3/2017

## X-ON Electronics

Largest Supplier of Electrical and Electronic Components

*Click to view similar products for [Wire Ducting & Raceways](#) category:*

*Click to view products by [Panduit](#) manufacturer:*

Other Similar products are found below :

[800A-LB](#) [801I-LSP](#) [802A-ECSP](#) [802I-ICSP](#) [923223-000](#) [PRAF6WH-X](#) [A0405538](#) [1301150342](#) [1301160034](#) [1301170070](#) [1301180011](#)  
[1301230083](#) [1301230153](#) [1301240273](#) [1301250006](#) [1302261238](#) [1302261321](#) [1302262552](#) [1302263103](#) [1302263178](#) [1302263259](#)  
[1302263816](#) [1302263860](#) [1302264375](#) [1302264390](#) [1301150343](#) [1301160030](#) [1301170050](#) [1301170051](#) [1301170061](#) [1301180013](#)  
[1301230086](#) [1301230130](#) [1301240054](#) [1302260055](#) [1302260376](#) [1302261343](#) [1302261344](#) [1302262674](#) [1302263095](#) [1302263166](#)  
[1302263209](#) [1302263513](#) [1302263851](#) [1302263870](#) [1302264137](#) [1302264218](#) [DD1/J](#) [AX102007](#) [AX102411](#)