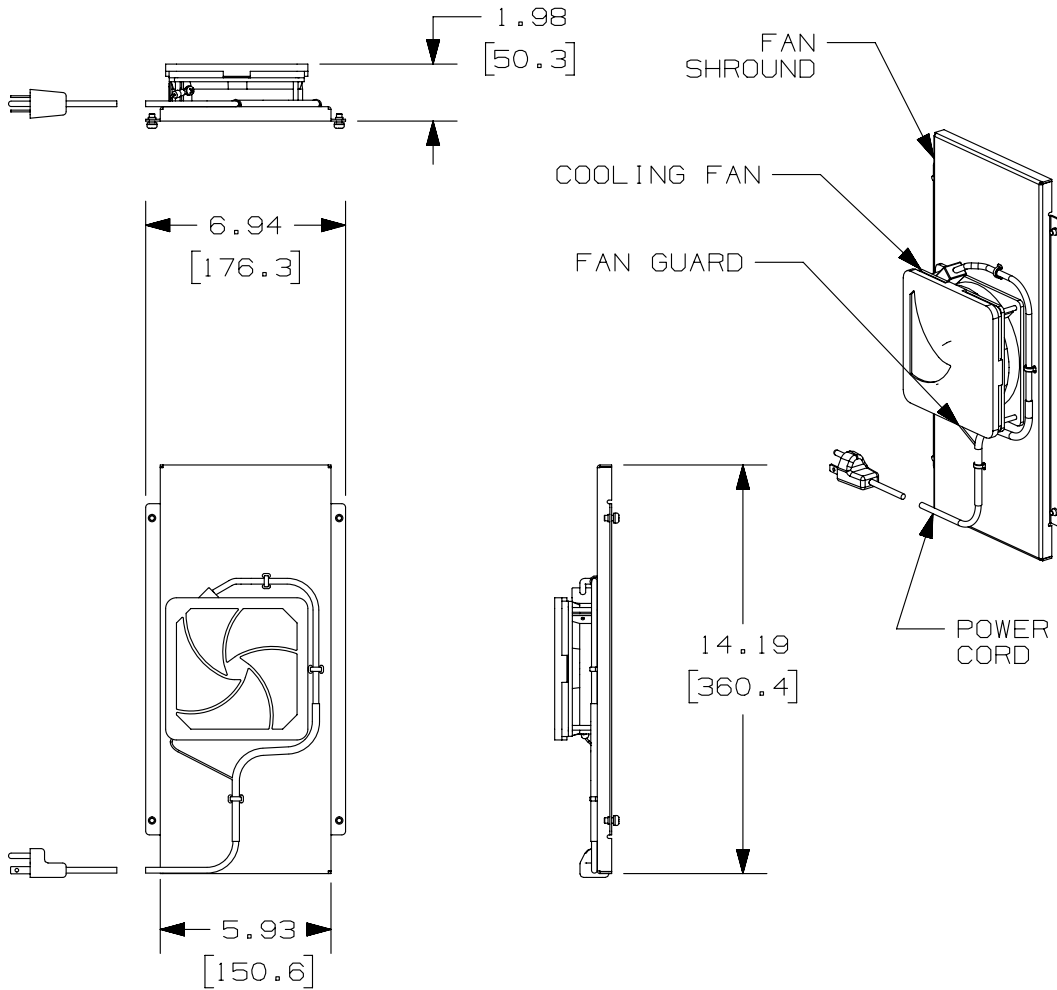


THIS COPY IS PROVIDED ON A RESTRICTED BASIS AND IS NOT TO BE USED IN ANY WAY DETRIMENTAL TO THE INTERESTS OF PANDUIT CORP.

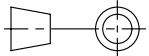


PANDUIT PART NO.	WEIGHT
PZCFK	3.5 LBS/EACH 1.59 Kg/EACH

NOTES:

- VISIT OUR ON-LINE CATALOG AT WWW.PANDUIT.COM FOR A CURRENT LIST OF PRODUCTS APPLICABLE FOR USE WITH THIS PART.
- COMPONENTS:
 - (1) FAN KIT FULLY ASSEMBLED;
 - (1) AC AXIAL FAN
 - (1) FAN SHROUD
 - (1) FAN GUARD
 - (1) POWER CORD WITH SCHUKO PLUG
 - (1) NSCR-KIT;
 - (4) #10-32 SCREWS
 - (4) #10 SPLIT RING LOCK-WASHERS
- DIMENSIONS IN PARENTHESIS ARE METRIC.
- FAN RATING:
 - VOLTAGE - 115V AC
 - CFM - 61 CFM
 - CE MARKED FOR EU LVD

REV	DATE	BY	CHK	APR	DESCRIPTION	ECN
03B	6-23-14	BAME	FGR	TCO	UPDATED TITLE BLOCK	10290-61
03A	11-19-12	RYB	BAME	CMK	ADDED CE MARK	10290-61
00	12-6-06	MAV			RELEASED TO PRODUCTION	10290-61

TITLE PAN ZONE CABINET FAN KIT (PZCFK) CUSTOMER DRAWING					
ITEM REVISION NAME V10290AD/03			PANDUIT		
DATASET FILE NAME V10290AD_DC/03B					
UNLESS OTHERWISE SPECIFIED, DIMENSIONAL TOLERANCES ARE: IN (mm)					MATERIAL: SEE NOTES
.X ± .XX ±			.XXX ± ANGLES ±		
			THIRD ANGLE PROJECTION		
DRAWN BY MAV	DATE 12-6-06	CHK	SCALE NONE	DRAWING NUMBER: 10290-61	
SHT 1 OF 1				SIZE A	

X-ON Electronics

Largest Supplier of Electrical and Electronic Components

Click to view similar products for [Racks & Rack Cabinet Accessories](#) category:

Click to view products by [Panduit](#) manufacturer:

Other Similar products are found below :

[M00-PLN](#) [F2424](#) [8351-832-A-24](#) [9104](#) [9105](#) [PLFF2000](#) [H-9163-B](#) [1427C3](#) [HTS10](#) [PC-79](#) [SC10-3A](#) [SC4-28](#) [CG3-340S/12](#) [CP-001BK](#)
[M6123-4007-SS](#) [TS170](#) [LP40](#) [5261304-07](#) [CG3-160G](#) [7112C-PLN](#) [ALUM](#) [CM10](#) [8610-3124-S-26](#) [TS81](#) [7142](#) [GP134](#) [M6125-4007-A-24](#)
[M6127-4007-SS](#) [PBCOVER](#) [512](#) [AEG-4000G](#) [AEG-3000G](#) [HD99](#) [SR2-66A2](#) [FP10B4HP-1](#) [FP52-2](#) [1406-1006-01](#) [29478](#) [TS2535](#) [TS169-](#)
[6](#) [CAC2](#) [HA19-3U](#) [BR-19-10-1](#) [TS180](#) [CG3-ESD](#) [SC11-1](#) [CFS-1.00/2.20](#) [AX6145WM](#) [HEC0800PB](#) [ZC633R](#) [140PLN](#)