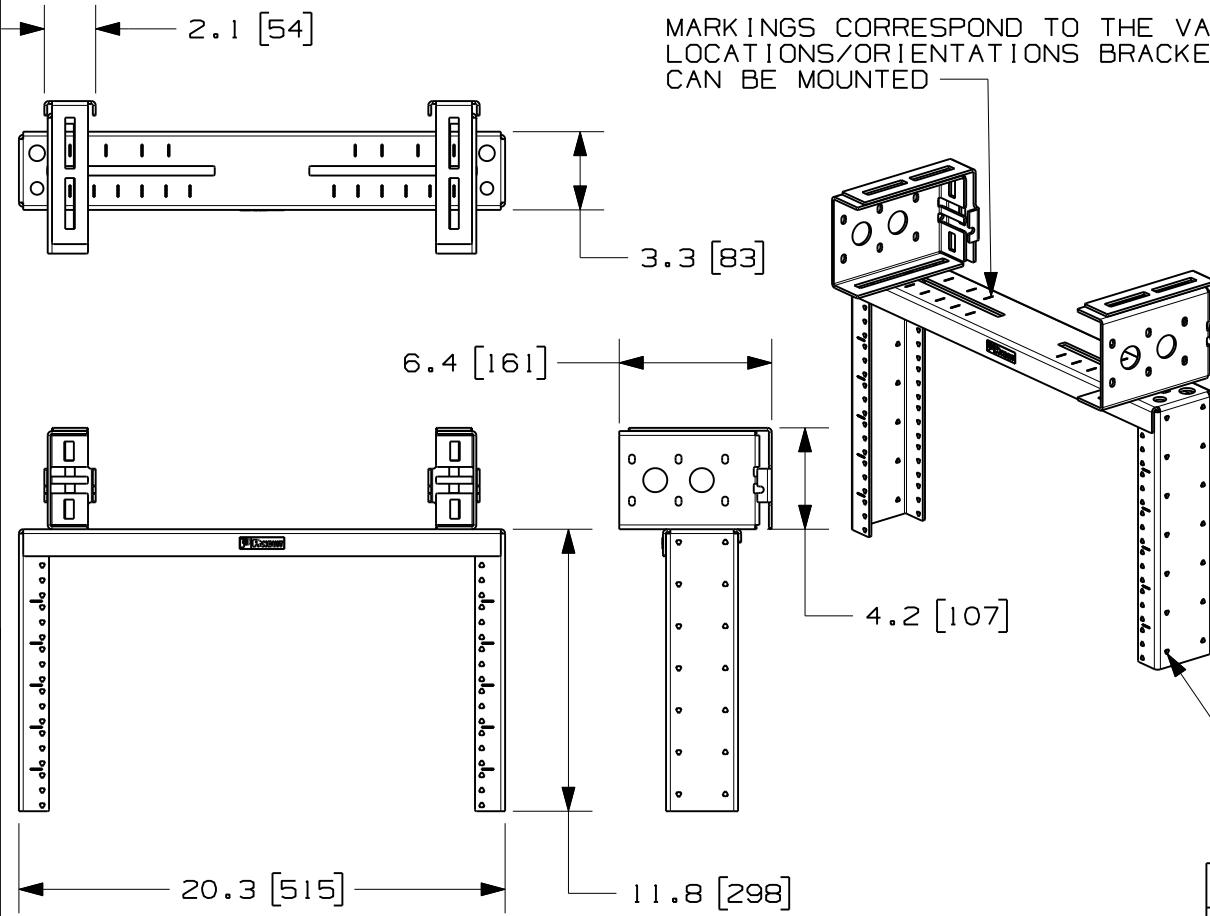


THIS COPY IS PROVIDED ON A RESTRICTED BASIS AND IS NOT TO BE USED IN ANY WAY DETRIMENTAL TO THE INTERESTS OF PANDUIT CORP.



PANDUIT PART NO.	WEIGHT
PZLRB6U	12.86 LBS/EACH 5.84 kgs/EACH

NOTES:

- SEE CURRENT CATALOG FOR ADDITIONAL PART NUMBER SUFFIXES TO INDICATE COLOR AND OR PACKAGE QUANTITY.
- SEE CATALOG FOR COMPLETE LIST OF PARTS APPLICABLE FOR USE WITH THIS PART.
- DIMENSIONS IN PARENTHESES ARE IN METRIC.
- PART INCLUDES:
 - 1- MAIN BRACKET
 - 2- RECTANGULAR BRACKETS
 - 2- L-SHAPED ATTACHMENT BRACKETS
 - 6- 3-8/16 HEX SERRATED FLANGE NUTS
 - 6- 3-8/16 CARRIAGE BOLTS
 - 6- #12-24 SCREWS (4 PACK)
- CABLE MANAGEMENT OPTIONS:
 - BEND RADIUS POSTS (PZBR4)
 - VERTICAL D-RINGS (CMVDR2)

HOLES FOR ATTACHING CABLE MANAGEMENT PRODUCTS (SEE NOTE 5)

MODEL FILENAME	V10521AQ/00
CAD FILENAME/LAYERS	V10521AQ_DC/00A

PANDUIT CORP. TINLEY PARK, ILLINOIS

PANZONE OVERHEAD DISTRIBUTION RACK (PZLRB6U) CUSTOMER DRAWING

UNLESS OTHERWISE SPECIFIED, DIMENSIONAL TOLERANCES ARE:	UNLESS OTHERWISE SPECIFIED, ALL DIMENSIONS ARE GIVEN IN INCHES, THIRD ANGLE PROJECTION.																
<table border="0"> <tr> <td>INCHES</td> <td></td> <td>[METRIC - MILLIMETER]</td> <td>ANGLE</td> </tr> <tr> <td>X.X</td> <td>+/- 0.03</td> <td>X.</td> <td>+/- 0.8</td> </tr> <tr> <td>X.XX</td> <td>+/- 0.015</td> <td>X.X</td> <td>+/- 0.4</td> </tr> <tr> <td>X.XXX</td> <td>+/- 0.005</td> <td>X.XX</td> <td>+/- 0.13</td> </tr> </table>	INCHES		[METRIC - MILLIMETER]	ANGLE	X.X	+/- 0.03	X.	+/- 0.8	X.XX	+/- 0.015	X.X	+/- 0.4	X.XXX	+/- 0.005	X.XX	+/- 0.13	+/- 1°
INCHES		[METRIC - MILLIMETER]	ANGLE														
X.X	+/- 0.03	X.	+/- 0.8														
X.XX	+/- 0.015	X.X	+/- 0.4														
X.XXX	+/- 0.005	X.XX	+/- 0.13														

OOA	6-6-11	PM	RELEASED TO PRODUCTION	V10521AQ-DC						
REV	DATE	BY	CHK	DESCRIPTION	ECN	R	CUST	SUP	OTH	

DRAWN BY	MAT'L:	SCALE
PM	N/A	1:8
DATE		DRAWING NO.
6-6-11		V10521AQ-DC
CHK'D		DWG SIZE
		A

X-ON Electronics

Largest Supplier of Electrical and Electronic Components

Click to view similar products for [Racks & Rack Cabinet Accessories](#) category:

Click to view products by [Panduit](#) manufacturer:

Other Similar products are found below :

[M00-PLN](#) [F2424](#) [8351-832-A-24](#) [9104](#) [9105](#) [PLFF2000](#) [H-9163-B](#) [1427C3](#) [HTS10](#) [PC-79](#) [SC10-3A](#) [SC4-28](#) [CG3-340S/12](#) [CP-001BK](#)
[M6123-4007-SS](#) [TS170](#) [LP40](#) [5261304-07](#) [CG3-160G](#) [7112C-PLN](#) [ALUM](#) [CM10](#) [8610-3124-S-26](#) [TS81](#) [7142](#) [GP134](#) [M6125-4007-A-24](#)
[M6127-4007-SS](#) [PBCOVER](#) [512](#) [AEG-4000G](#) [AEG-3000G](#) [HD99](#) [SR2-66A2](#) [FP10B4HP-1](#) [FP52-2](#) [1406-1006-01](#) [29478](#) [TS2535](#) [TS169-](#)
[6](#) [CAC2](#) [HA19-3U](#) [BR-19-10-1](#) [TS180](#) [CG3-ESD](#) [SC11-1](#) [CFS-1.00/2.20](#) [AX6145WM](#) [HEC0800PB](#) [ZC633R](#) [140PLN](#)