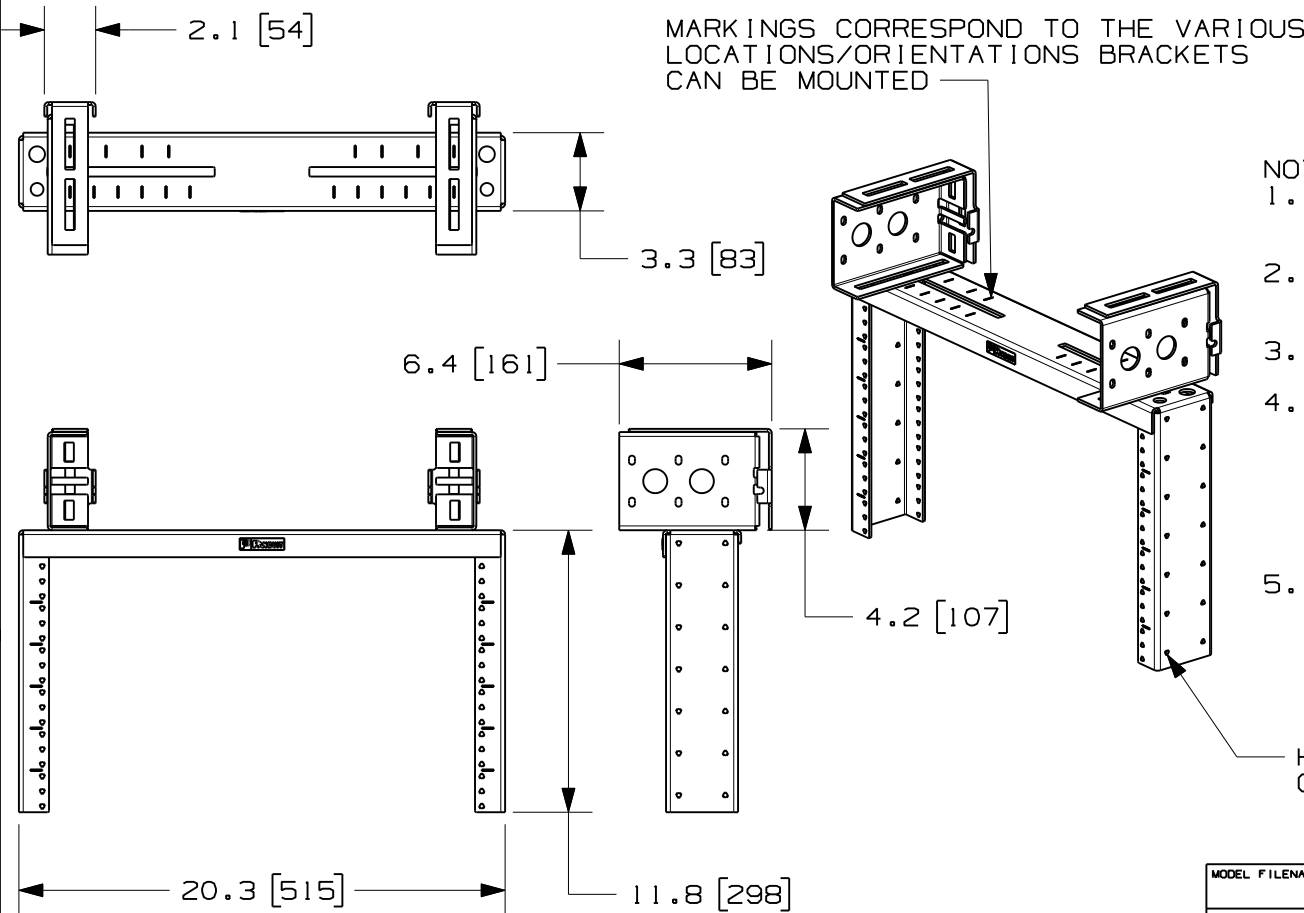


THIS COPY IS PROVIDED ON A RESTRICTED BASIS AND IS NOT TO BE USED IN ANY WAY DETRIMENTAL TO THE INTERESTS OF PANDUIT CORP.



PANDUIT PART NO.	WEIGHT
PZLRB6U	12.86 LBS/EACH 5.84 kgs/EACH

NOTES:

- SEE CURRENT CATALOG FOR ADDITIONAL PART NUMBER SUFFIXES TO INDICATE COLOR AND OR PACKAGE QUANTITY.
- SEE CATALOG FOR COMPLETE LIST OF PARTS APPLICABLE FOR USE WITH THIS PART.
- DIMENSIONS IN PARENTHESES ARE IN METRIC.
- PART INCLUDES:
 - 1- MAIN BRACKET
 - 2- RECTANGULAR BRACKETS
 - 2- L-SHAPED ATTACHMENT BRACKETS
 - 6- 3-8/16 HEX SERRATED FLANGE NUTS
 - 6- 3-8/16 CARRIAGE BOLTS
 - 6- #12-24 SCREWS (4 PACK)
- CABLE MANAGEMENT OPTIONS:
 - BEND RADIUS POSTS (PZBR4)
 - VERTICAL D-RINGS (CMVDR2)

HOLES FOR ATTACHING CABLE MANAGEMENT PRODUCTS (SEE NOTE 5)

MODEL FILENAME	V10521AQ/00
CAD FILENAME/LAYERS	V10521AQ_DC/00A

PANDUIT CORP. TINLEY PARK, ILLINOIS

PANZONE OVERHEAD DISTRIBUTION RACK (PZLRB6U) CUSTOMER DRAWING

UNLESS OTHERWISE SPECIFIED, DIMENSIONAL TOLERANCES ARE:			UNLESS OTHERWISE SPECIFIED, ALL DIMENSIONS ARE GIVEN IN INCHES, THIRD ANGLE PROJECTION.	
INCHES	[METRIC - MILLIMETER]	ANGLE		
X.X +/- 0.03	X. +/- 0.8	+/- 1°		
X.XX +/- 0.015	X.X +/- 0.4			
X.XXX +/- 0.005	X.XX +/- 0.13			

DRAWN BY PM	MAT'L: N/A	SCALE 1:8
DATE 6-6-11		DRAWING NO. V10521AQ-DC
CHK'D		DWG A SIZE

OOA	6-6-11	PM	RELEASED TO PRODUCTION	V10521AQ-DC					
REV	DATE	BY	CHK	DESCRIPTION	ECN	R	CUST	SUP	OTH

X-ON Electronics

Largest Supplier of Electrical and Electronic Components

Click to view similar products for [Racks & Rack Cabinet Accessories](#) category:

Click to view products by [Panduit](#) manufacturer:

Other Similar products are found below :

[M00-PLN](#) [F2424](#) [8351-832-A-24](#) [9104](#) [9105](#) [PLFF2000](#) [H-9163-B](#) [1427C3](#) [HTS10](#) [PC-79](#) [SC10-3A](#) [SC4-28](#) [CG3-340S/12](#) [CP-001BK](#)
[M6123-4007-SS](#) [AX61400TB](#) [TS170](#) [LP40](#) [5261304-07](#) [CG3-160G](#) [7112C-PLN](#) [ALUM](#) [CM10](#) [8610-3124-S-26](#) [TS81](#) [7142](#) [GP134](#)
[M6125-4007-A-24](#) [M6127-4007-SS](#) [PBCOVER](#) [512](#) [AEG-4000G](#) [AEG-3000G](#) [HD99](#) [SR2-66A2](#) [FP10B4HP-1](#) [FP52-2](#) [1406-1006-01](#)
[29478](#) [TS2535](#) [TS169-6](#) [CAC2](#) [HA19-3U](#) [BR-19-10-1](#) [TS180](#) [CG3-ESD](#) [SC11-1](#) [CFS-1.00/2.20](#) [AX6145WM](#) [HEC0800PB](#) [ZC633R](#)