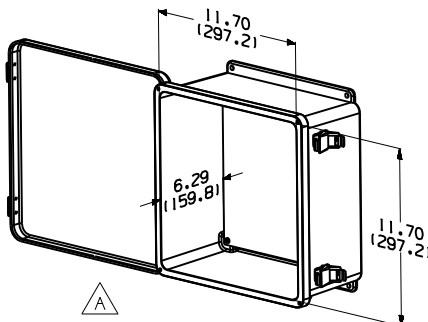
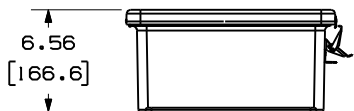
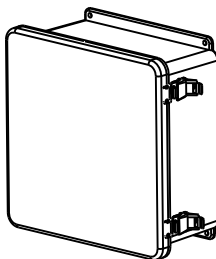
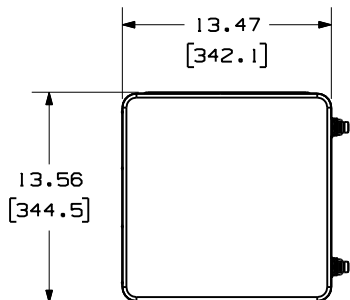


THIS COPY IS PROVIDED ON A RESTRICTED BASIS AND IS NOT TO BE USED IN ANY WAY DETRIMENTAL TO THE INTERESTS OF PANDUIT CORP.

PANDUIT P/N	WEIGHT
PZNWE12 PZNWE12S	4.8 LB/EACH PC (2177.2 g/EACH PC)



**NOTES:**

- SEE CURRENT CATALOG FOR ADDITIONAL PART NUMBER SUFFIXES TO INDICATE COLOR AND OR PACKAGE QUANTITY.
- SEE CATALOG FOR COMPLETE LIST OF PARTS APPLICABLE FOR USE WITH THIS PART.
- DIMENSIONS IN PARENTHESES ARE IN METRIC.
- PART INCLUDES:
  - 1- ENCLOSURE (FIBERGLASS)
  - 1- ALUMINUM MOUNTING PLATE - 10.88" X 10.88"
  - 1- MOUNT TEMPLATE
  - 1- NEMA CONNECTIVITY / HARDWARE KIT CONTAINING:
    - 1- CAT TX 6 PLUS JACK (PZNWE12)
    - 1- CAT TX 6 PLUS SHIELDED JACK (PZNWE12S)
  - 1- 2 POSITION SURFACE MOUNT BOX (CBXJ2WH-A)
  - 1- 2FT TX6 PLUS PATCH CORD (PZNWE12)
  - 1- 1M STP TX6 PLUS PATCH CORD (PZNWE12S)
  - 2- CABLE TIE MOUNTS (ABMM-A-C)
  - 4- PAN-TY (PLT1.5-C)
  - 1- SILICONE SEAL PACK
  - 6- #10 SELF TAPPING SCREW
  - 2 -#6 FLAT HEAD SCREW

DRAWING FILENAME V10396AA_DC_00B.prt (1)		SIZE <b>A</b>
<b>PANZONE™ NEMA 4X / IP66 RATED WIFI ENCLOSURE CUSTOMER DRAWING</b>		
	<b>PANDUIT™</b> CORP. TINLEY PARK, ILL 60477	I.I. NUMBER N/A
		PRODUCT SPEC N/A
	ALL DIMENSIONS ARE GIVEN IN INCHES, UNLESS OTHERWISE SPECIFIED.  DIMENSIONAL TOLERANCES ARE: I.X1 ± I.XXXI ± .010I.3I I.XXI ±.03I.8I ANGLES ±	WORK INSTRUCTION N/A
		SCALE NONE
DRAWN BY RYB	MATERIAL FIBERGLASS	PART NO. PZNWE12 PZNWE12S
DATE 11/14/06	CHK'D BAS	DRAWING NO. 10396-05

REV	DATE	BY	CHK	DESCRIPTION	ECN	R	CUST	SUP	OTH
01	1/16/07	RYB		A. ADDED INTERNAL VIEW & DIMS	10396-05				
00	11/14/06	RYB	BAS	RELEASED TO PRODUCTION	10396-05	BAS	BAS	BAS	BAS

## X-ON Electronics

Largest Supplier of Electrical and Electronic Components

*Click to view similar products for [Enclosures, Boxes & Cases](#) category:*

*Click to view products by [Panduit](#) manufacturer:*

Other Similar products are found below :

[585-R-WH-PK](#) [M-10-PLATED](#) [60221-01](#) [60566-01-000](#) [HPL-9VB BATT DOOR](#) [M18-PLTD](#) [M-21-PLATED](#) [63310-01-000](#) [6711GSKT](#)  
[71884-29-028](#) [LH45-100 Black](#) [72868-510-000](#) [CNS-0000 Black](#) [72883-510-000](#) [CNS-0101 Black](#) [72906-510-000](#) [CNS-0407 Black](#) [73092-](#)  
[510-000](#) [CNM-0101 Black](#) [73105-510-000](#) [CNL-0101 Black](#) [73108-510-000](#) [CNL-0303 Black](#) [73395-510-039](#) [CNS-0006 Bone](#) [74257-510-000](#)  
[CNL-0004](#) [MDC-1183-PLAIN-ALUM](#) [MDC-1183-PTD](#) [MDC-13104-PTD](#) [MDC-321-PTD](#) [MDC-973-PTD](#) [76](#) [77153-01-028](#) [FLX6030](#)  
[83535-01-508](#) [90026-501-000](#) [PS36-200](#) [116-508](#) [120-407](#) [120-910](#) [127-908](#) [130-008](#) [1301170079](#) [1322GSKTEP](#) [1325GSKT3](#) [1434-1210](#)  
[EAS-500 \(BLACK ANO\)](#) [1804RP-RB-PK](#) [190-005](#) [2202307](#) [KAB3321 BLACK](#) [KAB3421](#) [2697466](#) [S52213](#) [2901123](#) [2901699](#) [A0645271](#)  
[A20P20](#) [2106-IR](#) [PERF-850-PLN](#)