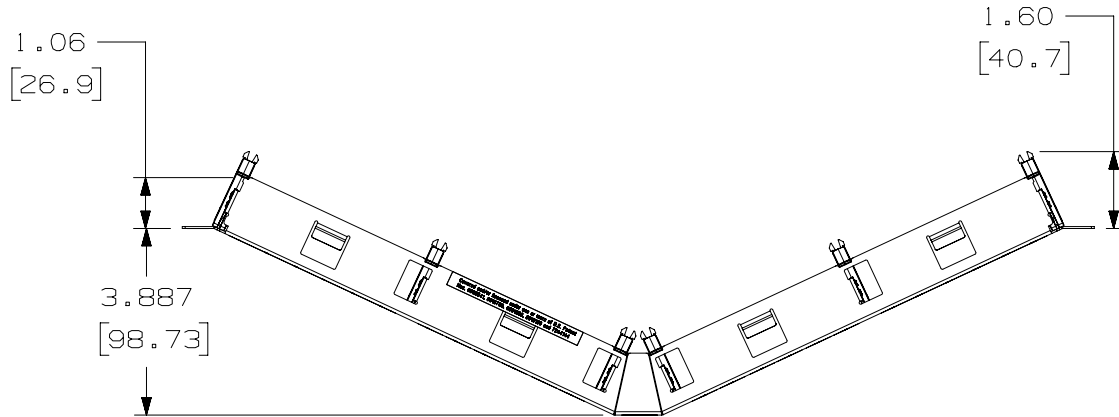


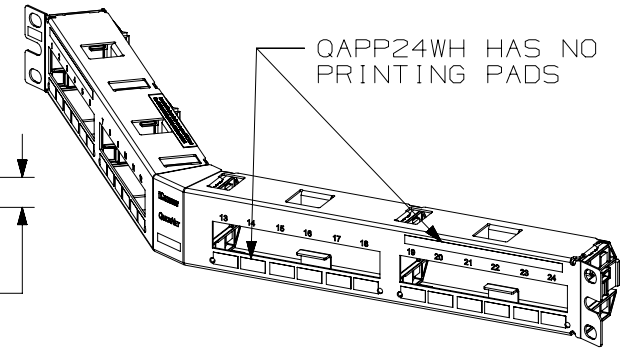
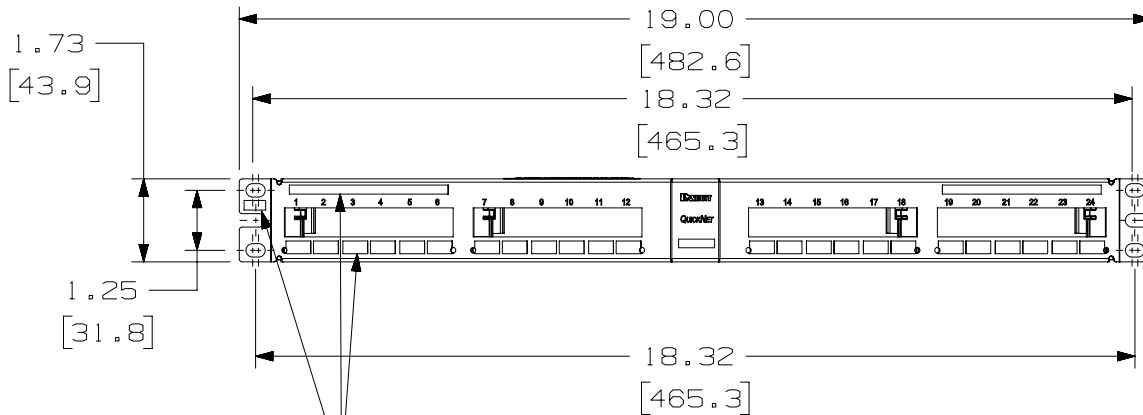
THIS COPY IS PROVIDED ON A RESTRICTED BASIS AND IS NOT TO BE USED IN ANY WAY DETRIMENTAL TO THE INTERESTS OF PANDUIT CORP.



| PANDUIT PART NO. | WEIGHT (APPOX.)   |
|------------------|-------------------|
| QAPP24BL         | 0.80 lb (362.9 g) |
| QAPP24WH         | 0.80 lb (362.9 g) |

NOTES:

- SEE CURRENT CATALOG FOR VARIOUS APPLICATIONS.
- THE PATCH PANEL IS DESIGNED FOR MOUNTING TO 19" UNIVERSAL RACKS.
- DIMENSIONS IN BRACKETS ARE IN METRIC.
- PART INCLUDES:
  - 1- METAL STAMPING WITH SLIDE GUIDES
  - 1- SCREW KIT (INCLUDES FOUR #12-24 SCREWS)
  - 1- SCREW KIT (INCLUDES FOUR M6 SCREWS)
- QAPP24BL IS BLACK WITH WHITE SILKSCREENING. QAPP24WH IS WHITE WITH BLACK SILKSCREENING.



PRINTED RECTANGLES NOT INCLUDED WITH QAPP24WH

|   |  |                              |       |
|---|--|------------------------------|-------|
| PART NUMBER   |  | QAPP24BL ; QAPP24WH          |       |
| TITLE   |  |                              |       |
| QUICKNET 24 PORT ANGLED PATCH PANEL                             |  |                              |       |
| CUSTOMER DRAWING  |  |                              |       |
| ITEM REVISION NAME  |  | M02582BR/07                  |       |
| DATASET FILE NAME   |  | M02582BR_DC19/07A            |       |
| UNLESS OTHERWISE SPECIFIED, DIMENSIONAL TOLERANCES ARE: IN [mm] |  | MATERIAL:                    |       |
| .x ± .xx ± .03 [ .8 ]   |  | PANEL: C.R.S.<br>GUIDES: ABS |       |
| .xxx ± .010 [ .3 ]  |  | DRAWING NUMBER:              |       |
| ANGLES ±  |  | 02582 - 19                   |       |
| THIRD ANGLE PROJECTION  |  | SHT 1 OF 1                   |       |
| DRAWN BY  | DATE   | CHK                          | SCALE |
| MDJr  | 9-01-06  | WFMi                         | NONE  |
| REV   | DATE   | BY                           | CHK   |
| 3   | 12/20/17   | BAME                         | KRKE  |
| 2   | 5/23/14  | JSP                          | REFR  |
| APR   | DESCRIPTION  | ECN                          |       |
|   | ADDED P/N QAPP24WH   | M09000HA                     |       |
|   | REVISED AND REDRAWN, PREVIOUS REVISIONS HAVE BEEN OMITTED. | 02582-19                     |       |

D10100DA/14

## X-ON Electronics

Largest Supplier of Electrical and Electronic Components

*Click to view similar products for [Patch Panels](#) category:*

*Click to view products by [Panduit](#) manufacturer:*

Other Similar products are found below :

[MMVP96K2N75T](#) [MMVP96K2NNT](#) [MMVP96K2NT](#) [MMVP96K3NNT](#) [QGPK1LCM](#) [QGPK3CAT5E](#) [QGPK3CAT5ES](#) [QGPK3LC](#)  
[QGPK3LCM](#) [QGPK3ST](#) [QGPK3STM](#) [DS303](#) [DS311](#) [DS317](#) [JS-16](#) [JSH-24](#) [QGPK1CAT5ES](#) [QGPK1CAT6S](#) [QGPK1LC](#) [QGPK1SC](#)  
[QGPK1SCM](#) [QGPK1ST](#) [QGPK1STM](#) [QGPK3CAT6](#) [QGPK3CAT6S](#) [QGPK3SC](#) [TT91202](#) [TT91402](#) [MMVP48K275T](#) [MMVP48K2NNT](#)  
[MMVP48K2NT](#) [MMVP96K275T](#) [MMVP96K375T](#) [MMVP96K3N75T](#) [JSIS-72](#) [K576](#) [DS385](#) [Switchcraft TT518](#) [TT95DC](#) [TT91002](#)  
[DS368](#) [JS-36A](#) [JSI-8D2SF24](#) [JSIX-64S](#) [JS-52W](#) [JSI-40S](#) [K6004B](#) [314DI](#) [K6002D](#) [MMVPTL](#)