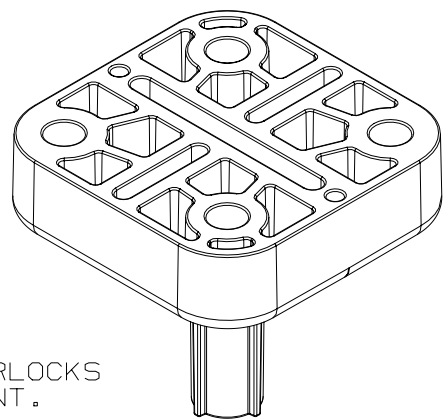
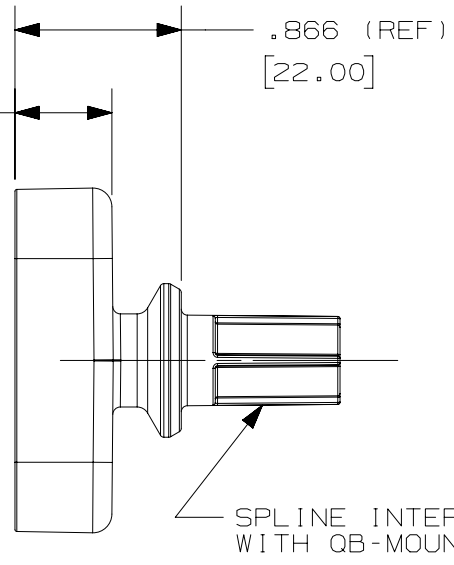
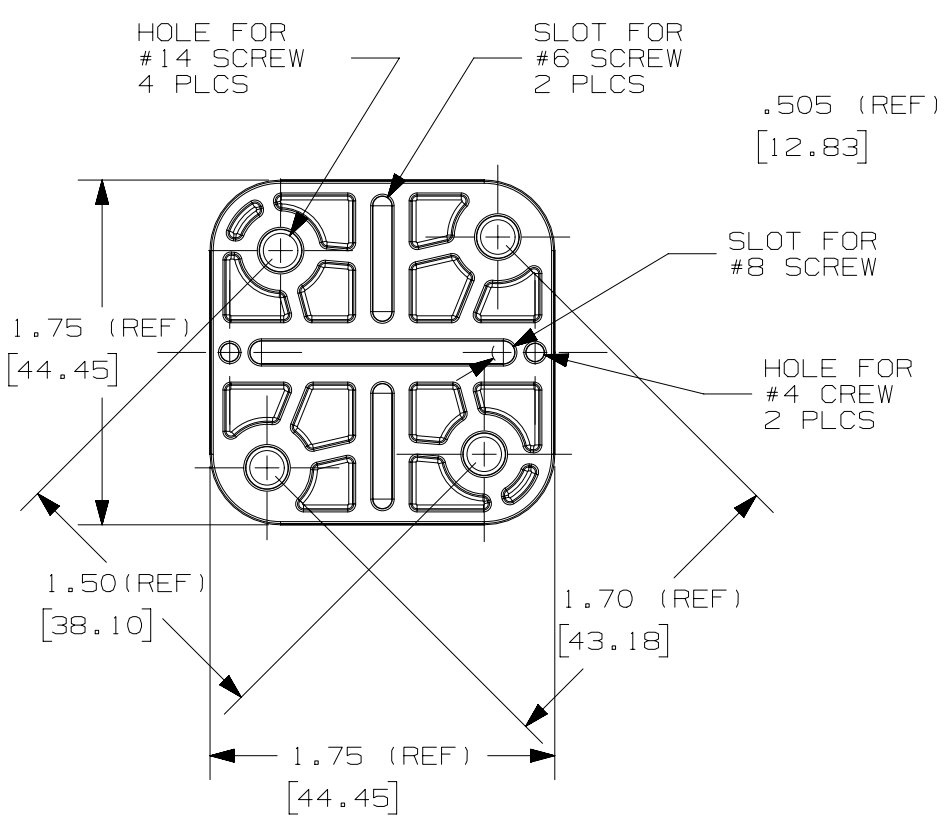


THIS COPY IS PROVIDED ON A RESTRICTED BASIS AND IS NOT TO BE USED IN ANY WAY DETRIMENTAL TO THE INTERESTS OF PANDUIT CORP.

NOTES:

1. DIMENSIONS IN BRACKETS [] ARE METRIC [mm]
2. PRODUCT DESIGNED TO LOCK INTO PANDUIT PART: QB-MOUNT.
3. PRODUCT DESIGNED TO SUPPORT A MAX STATIC LOAD OF 5 LBS.
4. PRODUCT IS RATED FOR ENVIRONMENTAL CONDITIONS OF 40-100°F IN ALL HUMIDITY CONDITIONS.
5. REFER TO PANDUIT CATALOG FOR LIST OF COMPATIBLE ACCESSORIES.



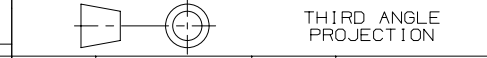
TITLE
QUICK-BUILD MOUNTING BASE; 1.75" X 1.75"; ACCEPTS #4, #6, #8, AND #14 SCREWS; 25 PER PACKAGE
QB-BASE175-Q
 CUSTOMER DRAWING

ITEM REVISION NAME
14L203CK/05
 DATASET FILE NAME
14L203CK_CS/05A



UNLESS OTHERWISE SPECIFIED,
 DIMENSIONAL TOLERANCES ARE: IN [mm]
 .x ± .1 [2.54] .xxx ± .005 [.127]
 .xx ± .01 [.25] ANGLES ± 5 °

MATERIAL:
NYLON



DRAWING NUMBER:
14L203CK-DC

ANF	06-15-15	ANF	DJW	MSAD	DRAWING RELEASE		GAECN03010
REV	DATE	BY	CHK	APR	DESCRIPTION		ECN

DRAWN BY	DATE	CHK	SCALE	SHT 1 OF 1	SIZE
ANF	6/09/15	DJW	1:1		A

X-ON Electronics

Largest Supplier of Electrical and Electronic Components

Click to view similar products for [Cable Mounting & Accessories](#) category:

Click to view products by [Panduit](#) manufacturer:

Other Similar products are found below :

[582603-1](#) [009333-000](#) [727844N003](#) [747](#) [809090N001](#) [843188-000](#) [8666](#) [967279N002](#) [DB-11](#) [1300840039](#) [1300900096](#) [1301800416](#)
[1302264450](#) [1300830184](#) [1300830729](#) [1300900039](#) [1301580036](#) [1301850553](#) [1301860939](#) [1302000074](#) [1302261315](#) [1302264431](#)
[1337706-2](#) [APA18-AK](#) [1724](#) [1-787307-1](#) [185491N001](#) [1868](#) [HP-6N](#) [C-202-C](#) [202C221-13-0](#) [CA7308-000](#) [8S23-75FR-CS8184](#) [2684](#) [9648](#)
[3089](#) [988382-000](#) [A72821-000](#) [AA401](#) [173506-000](#) [1823](#) [202C292-13-0](#) [202C302-13-0](#) [2109](#) [300625](#) [3330](#) [3412](#) [M9142](#) [M9143](#) [529732-000](#)