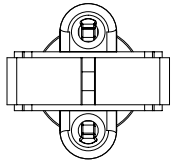
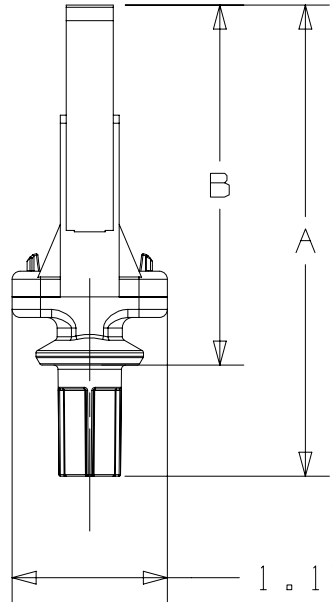
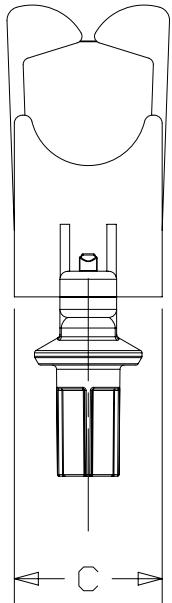


THIS COPY IS PROVIDED ON A RESTRICTED BASIS AND IS NOT TO BE USED IN ANY WAY DETRIMENTAL TO THE INTERESTS OF PANDUIT CORP.



P/N	'A' ± .02	'B' ± .02	'C' ± .02	MAX WIRE BUNDLE DIA.
QB-RER.5-X	3.20	2.42	.87	.5"
QB-RER.75-X	3.52	2.74	1.10	.75"
QB-RER1.25-X	4.19	3.40	1.59	1.25"



NOTES:

- HOLDS BUNDLES OF WIRES USING MOVEABLE GRIPS WITH ELASTIC SUPPORT WHICH ALSO AIDS IN BUNDLE REMOVAL.
- QB-RER COMPONENTS INSERT INTO QB-MOUNT-L TO PROVIDE A MODULAR HARNESS BOARD SYSTEM WHEN USED WITH QUICK-BUILD TILES (QB-TILE).
- SEE CUSTOMER PRICE SHEET FOR PART NUMBER SUFFIX DESIGNATION FOR PACKAGE SIZE.
- TABLE DIMENSIONS ARE IN INCHES.

PRODUCT SPEC	PACKAGING SPEC
PART NUMBER QB-RER.5; .75; 1.25	WORK INSTRUCTION
INSPECTION INSTRUCTION NUMBER	FMEA & CONTROL PLAN NUMBER

TITLE QUICK BUILD ELASTIC BUNDLE RETAINER	
CUSTOMER DRAWING	
ITEM REVISION NAME 14L203EE/04	PANDUIT
DATASET FILE NAME 14L203EE_DC/04	
UNLESS OTHERWISE SPECIFIED, DIMENSIONAL TOLERANCES ARE: IN [mm] .x ± .1 [2.54] .xxx ± .005 [.127] .xx ± .01 [.25] ANGLES ± 5 °	MATERIAL: VARIOUS
THIRD ANGLE PROJECTION	DRAWING NUMBER: 14L203EE_DC

0	2/7/17	DFA	DJW	JHAC	INITIAL RELEASE	GAECN03993
---	--------	-----	-----	------	-----------------	------------

REV	DATE	BY	CHK	APR	DESCRIPTION	ECN	DRAWN BY	DATE	CHK	SCALE	SHT 1 OF 1	SIZE
							DFA	2/7/17	JHAC	NONE		A

D10100DA/20

X-ON Electronics

Largest Supplier of Electrical and Electronic Components

Click to view similar products for [Cable Mounting & Accessories](#) category:

Click to view products by [Panduit](#) manufacturer:

Other Similar products are found below :

[582603-1](#) [009333-000](#) [727844N003](#) [747](#) [809090N001](#) [843188-000](#) [8666](#) [967279N002](#) [DB-11](#) [1300840039](#) [1300900096](#) [1301800416](#)
[1302264450](#) [1300830184](#) [1300830729](#) [1300900039](#) [1301580036](#) [1301850553](#) [1301860939](#) [1302000074](#) [1302261315](#) [1302264431](#)
[1337706-2](#) [APA18-AK](#) [1724](#) [1-787307-1](#) [185491N001](#) [1868](#) [HP-6N](#) [C-202-C](#) [202C221-13-0](#) [CA7308-000](#) [8S23-75FR-CS8184](#) [2684](#) [9648](#)
[3089](#) [988382-000](#) [A72821-000](#) [AA401](#) [173506-000](#) [1823](#) [202C292-13-0](#) [202C302-13-0](#) [2109](#) [300625](#) [3330](#) [3412](#) [356247-1](#) [M9142](#)
[M9143](#)