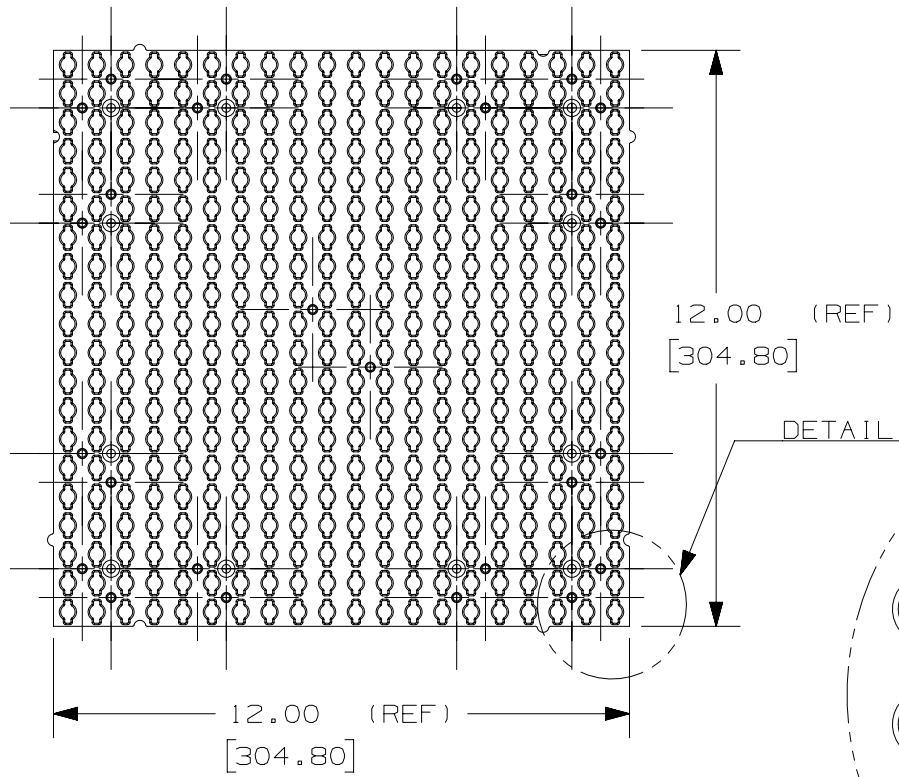
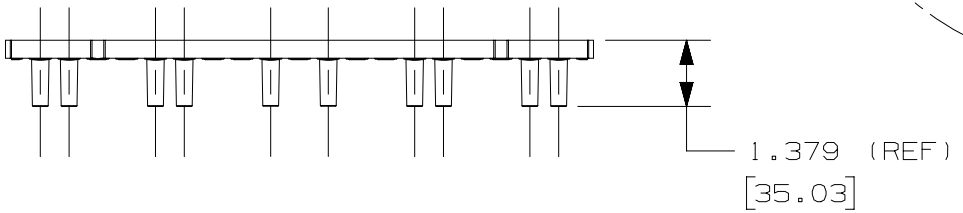
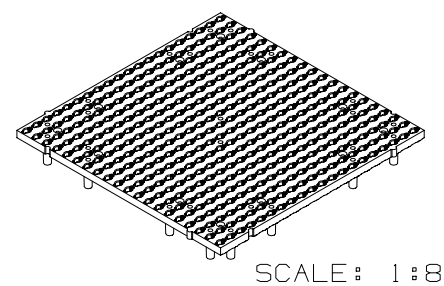
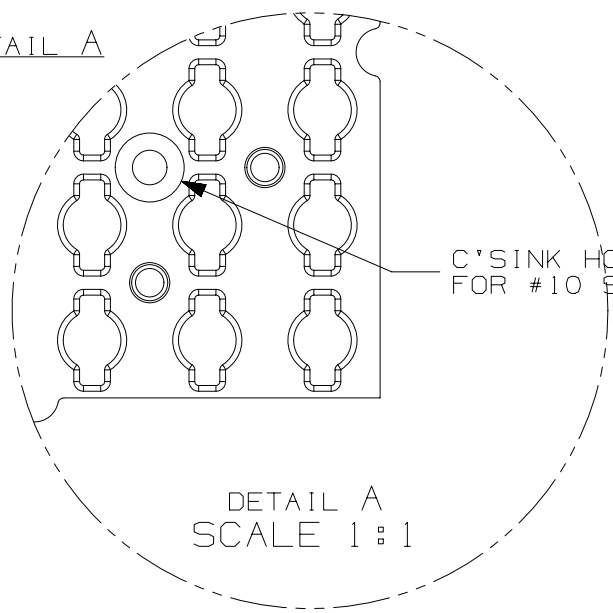


THIS COPY IS PROVIDED ON A RESTRICTED BASIS AND IS NOT TO BE USED IN ANY WAY DETRIMENTAL TO THE INTERESTS OF PANDUIT CORP.



NOTES:

- 1. DIMENSIONS IN BRACKETS [] ARE METRIC [mm].
- 2. COLOR: BLACK
- 3. PRODUCT DESIGNED TO SUPPORT A MAXIMUM STATIC LOAD OF 5 LBS WITH COMPATIBLE PARTS.
- 4. PRODUCT IS RATED FOR ENVIRONMENTAL CONDITIONS OF 40-100°F IN ALL HUMIDITY RANGES.
- 5. FOR INSTALLATION INTO PLYWOOD, #8 OR #10 COARSE THREAD FLAT HEAD WOOD SCREWS WITH A MIN LENGTH OF 1.75" ARE RECOMMENDED.



TITLE		QUICK-BUILD GRID TILE; 1' X 1'; 8 PER PACKAGE (QB-TILE)			CUSTOMER DRAWING	
ITEM REVISION NAME		13L179EK/09			PANDUIT	
DATASET FILE NAME		13L179EK_DC/09				
UNLESS OTHERWISE SPECIFIED, DIMENSIONAL TOLERANCES ARE: IN [mm]		.x ± .1 [2.54] .xxx ± .005 [.127]			MATERIAL: ABS	
		.xx ± .01 [.25] ANGLES ± 5 °			DRAWING NUMBER: 13L179EK-DC	
DRAWN BY		DATE	CHK	SCALE	SIZE	
ANF		06-10-2015		1:4	A	

00	6/10/15	ANF	DJW	MSAD	DRAWING RELEASED	GAECN02965
REV	DATE	BY	CHK	APR	DESCRIPTION	ECN

X-ON Electronics

Largest Supplier of Electrical and Electronic Components

Click to view similar products for [Cable Mounting & Accessories](#) category:

Click to view products by [Panduit](#) manufacturer:

Other Similar products are found below :

[582603-1](#) [009333-000](#) [727844N003](#) [747](#) [809090N001](#) [843188-000](#) [8666](#) [967279N002](#) [DB-11](#) [1300840039](#) [1300900096](#) [1301800416](#)
[1302264450](#) [1300830184](#) [1300830729](#) [1300900039](#) [1301580036](#) [1301850553](#) [1301860939](#) [1302000074](#) [1302261315](#) [1302264431](#)
[1337706-2](#) [APA18-AK](#) [1724](#) [1-787307-1](#) [185491N001](#) [1868](#) [HP-6N](#) [C-202-C](#) [202C221-13-0](#) [CA7308-000](#) [8S23-75FR-CS8184](#) [2684](#) [9648](#)
[3089](#) [988382-000](#) [A72821-000](#) [AA401](#) [173506-000](#) [1823](#) [202C292-13-0](#) [202C302-13-0](#) [2109](#) [300625](#) [3330](#) [3412](#) [356247-1](#) [M9142](#)
[M9143](#)