

QuickNet™ SD Switch Harnesses with Category 6 28AWG Cabling

QuickNet™ SD Switch Harnesses bring unprecedented levels of installation speed, consistency, and clean aesthetics to the cabling in network racks and IDFs/MDFs. Built using Panduit's Category 6 Small Diameter cable, QuickNet™ SD Switch Harnesses have a small bundle size and are highly flexible for excellent routability in network rack configurations.

Two basic types of QuickNet™ SD Switch Harnesses meet the needs of common switch-to-panel cabling approaches. Harnesses are readily available in popular lengths and configurations, and can also be ordered in a range of customer-specified lengths and alternate configurations.

For quick and easy switch port replication, 12-cable Switch Port Harnesses are available to provide the same vertically numbered port layout at the patch panel as on the switch ports.



**12-Cable Switch Patching Harness
(Plugs at Panel End)**



**12-Cable Switch Port Harness
(Jacks at Panel End)**

Key Features

Benefits

Quick install capability	Reduces network rack cabling installation time by 85% or more compared to loose cord cabling
Factory-dressed, labeled, and pre-bundled cabling	Ensures cleanly dressed IDF/MDF cabling and facilitates consistent cabling standard across regional and global sites
Small bundle size	Allows increased airflow and reduced cable manager size
Lightweight and highly flexible	Enables easy and quick routing within tight spaces
Multiple standard configurations	Harnesses are readily available for common switch-to-panel cabling approaches, cable bundle counts, and length requirements

Application Information



Network Rack (IDF/MDF) Example

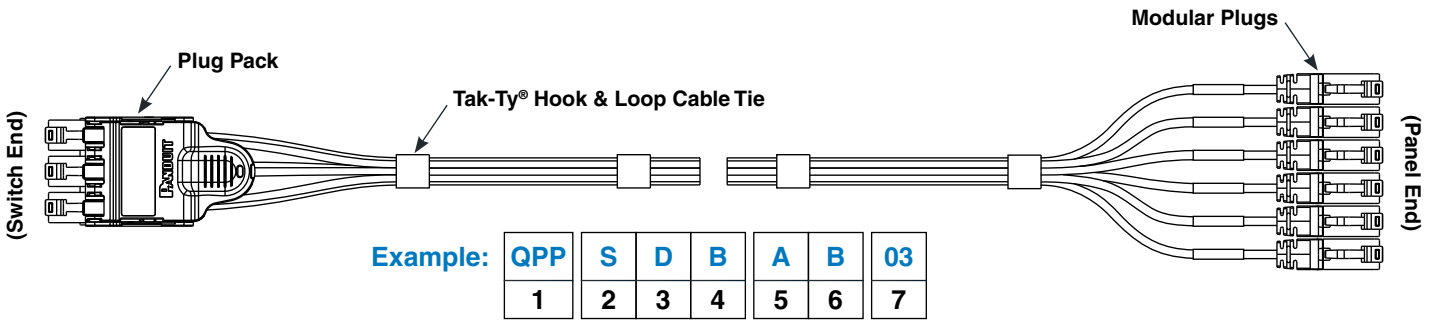
QuickNet™ SD Switch Harnesses provide an ideal solution in network racks (or IDFs/MDFs) where they replace the loose cord cabling between switches and patch panels. Depending on the type of cord connection used at the patch panel end, two basic types of harnesses are available:

Switch Port Harnesses provide a plug-to-jack connection – also known as “switch port replication” – between switch ports and the patch panels, and replace individual equipment cords. On the panel end of the harness the modular jacks (either loose or contained in a cassette) are inserted into the patch panel from behind.

Note: Cassette-ended switch port harnesses (all QPC part numbers) require the use of QuickNet™ Patch Panels.

Switch Patching Harnesses provide a “plug-to-plug” connection between the switch ports and patch panel ports, and replace individual patch cords. The panel end of the harness has plugs which are inserted into the front of the patch panel.

Switch Patching Harnesses (Plug-To-Plug Type)



Part Number Example – QPPSDBAB03 is a 3-foot QuickNet™ SD Switch Patching Harness with Category 6 UTP 28AWG CM/LSZH blue cable, a 6-position blue plug pack on one end, and modular plugs on the other end.

Note – Standard part numbers are listed on the back page. for all other part numbers an "N" is required at the end of the part number.

1 – QuickNet™ Switch Harness Type

QPP = QuickNet™ Plug-To-Plug

2 – Performance Level

S = Category 6 SD UTP (28 AWG)

3 – Flame/Smoke Rating

D = Dual rated CM and LSZH

4 – Cable Color*

B = Blue
W = White

5 – Switch End Configuration

A = 6-position plug pack
B = 12-position plug pack
D = 8-position plug pack
R = 6 position recessed plug pack
6 = 6 cables (loose plug)
8 = 8 cables (loose plug)
W = 12 cables (loose plug)

6 – Plug Pack Color

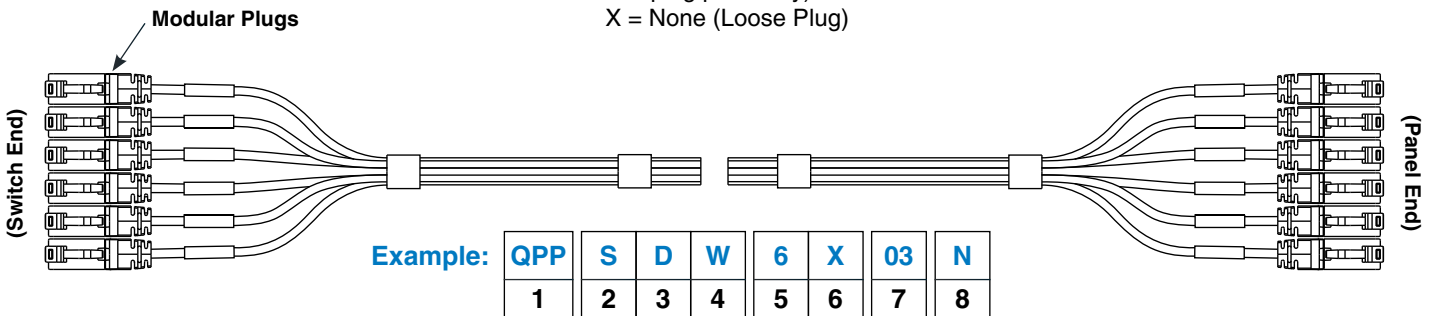
B = Blue
W = White
R = Red
L = Black
S = Silver (recessed plug pack only)
X = None (Loose Plug)

7 – Assembly Length*

03 = 3 feet
05 = 5 feet
07 = 7 feet
10 = 10 feet
14 = 14 feet

8 – N = Non-Standard Part

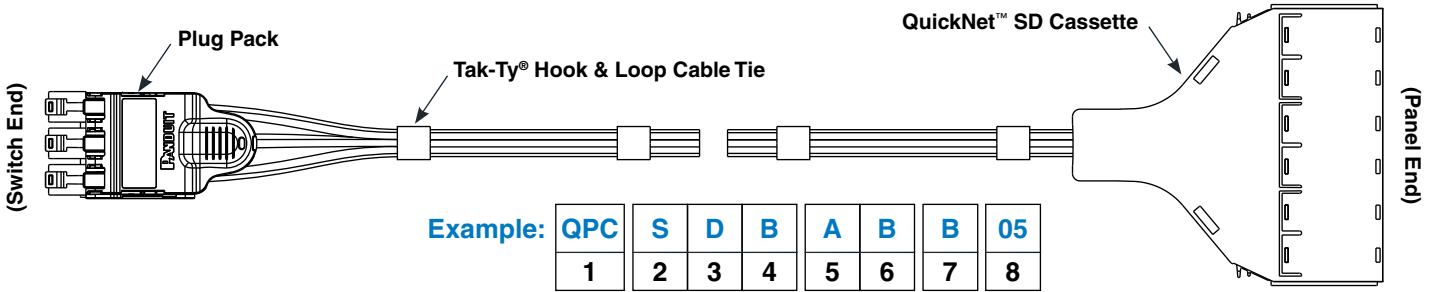
(Required only for non-standard parts)



Part Number Example – QPPSDW6X03N is a 3-foot QuickNet™ SD Switch Patching Harness with Category 6 UTP 28AWG CM/LSZH white cable and modular plugs on both ends.

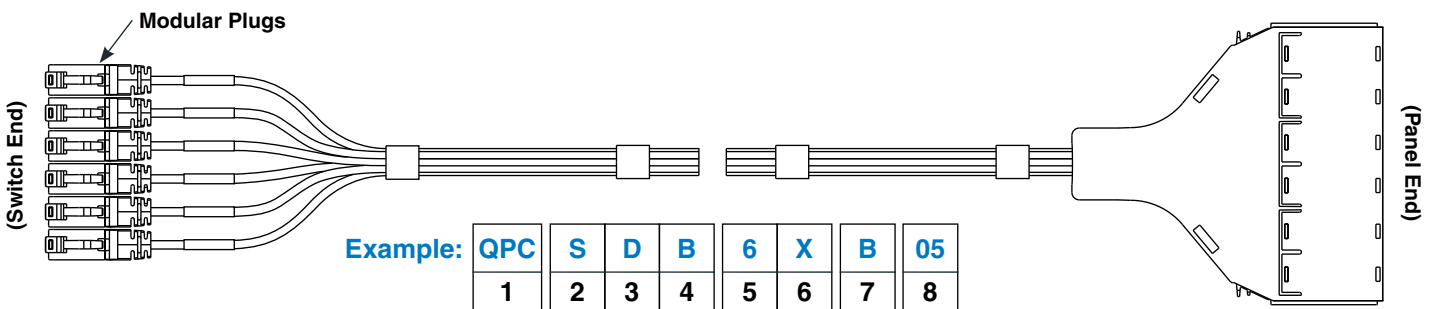
*For other harness lengths, cable colors, or custom labeling, contact Panduit Customer Service.

Switch Port Harnesses (Plug-To-Jack Type)



Part Number Example – **QPCSDBABB05** is a 5-foot QuickNet™ SD Switch Port Harness with Category 6 UTP 28AWG CM/LSZH blue cable, a 6-position blue plug pack on one end, and cassette with blue modular jacks on the other end.

Note – Standard part numbers are listed on the back page. for all other part numbers an "N" is required at the end of the part number.



Part Number Example – **QPCSDB6XB05** is a 5-foot QuickNet™ SD Switch Port Harness with Category 6 UTP 28AWG CM/LSZH blue cable, modular plugs on one end, and cassette with blue modular jacks on the other end.

1 – QuickNet™ Switch Harness Type

QPC = QuickNet™ Plug-To-Cassette
QPJ = QuickNet™ Plug-To-Jack

2 – Performance Level

S = Category 6 SD UTP (28 AWG)

3 – Flame/Smoke Rating

D = Dual rated CM and LSZH

4 – Cable Color*

B = Blue
W = White

5 – Switch End Configuration

A = 6-position plug pack
B = 12-position plug pack
D = 8-position plug pack
R = 6-position recessed plug pack
6 = 6 cables (loose plug)
8 = 8 cables (loose plug)
W = 12 cables (loose plug)

6 – Plug Pack Color

B = Blue
W = White
R = Red
L = Black
S = Silver (recessed plug pack only)
X = None (loose plug)

7 – Jack Color*

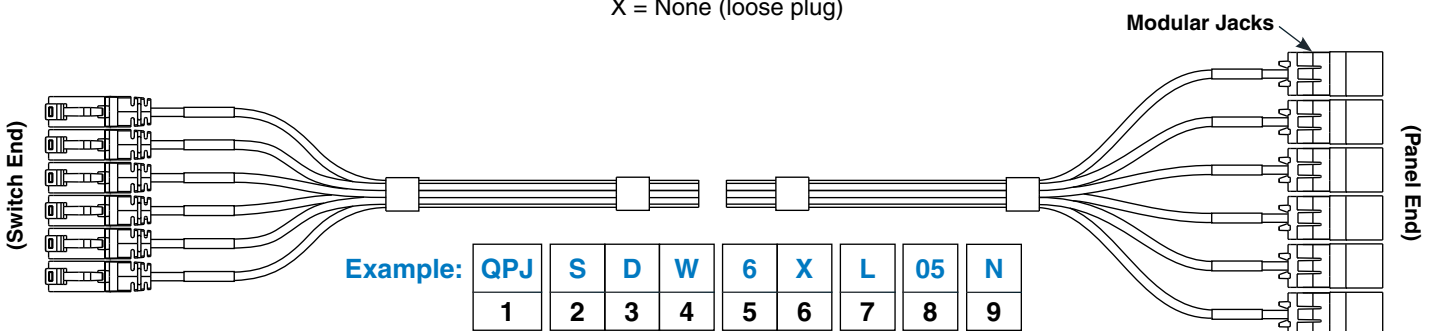
B = Blue
W = White
R = Red
L = Black

8 – Assembly Length*

05 = 5 feet
07 = 7 feet
10 = 10 feet
14 = 14 feet
20 = 20 feet

9 – N = Non-Standard Part

(Required only for non-standard parts)



Part Number Example – **QPJSDW6XL05N** is a 5-foot QuickNet™ SD Switch Port Harness with Category 6 UTP 28AWG CM/LSZH white cable, modular plugs on one end, and black modular jacks on the other end.

*For other harness lengths, cable colors, jack colors, or custom labeling, contact Panduit Customer Service.

QuickNet™ SD Switch Harnesses

Note: All standard parts below have blue cable and (if applicable) blue plug pack and/or blue modular jacks.

Standard Parts – Switch Patching Harnesses (Plug-To-Plug Type)



Plug Pack to Loose Plug

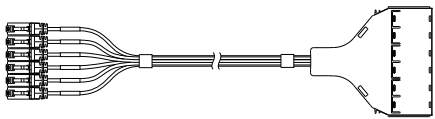
Length	6-Cable with Plug Pack	6-Cable with Recessed Plug Pack	8-Cable with Plug Pack	12-Cable with Plug Pack
3 feet	QPPSDBAB03	QPPSDBRS03	QPPSDBDB03	QPPSDBBB03
5 feet	QPPSDBAB05	QPPSDBRS05	QPPSDBDB05	QPPSDBBB05
7 feet	QPPSDBAB07	QPPSDBRS07	QPPSDBDB07	QPPSDBBB07
10 feet	QPPSDBAB10	QPPSDBRS10	QPPSDBDB10	QPPSDBBB10
14 feet	QPPSDBAB14	QPPSDBRS14	QPPSDBDB14	QPPSDBBB14

Standard Parts – Switch Port Harnesses (Plug-To-Jack Type)



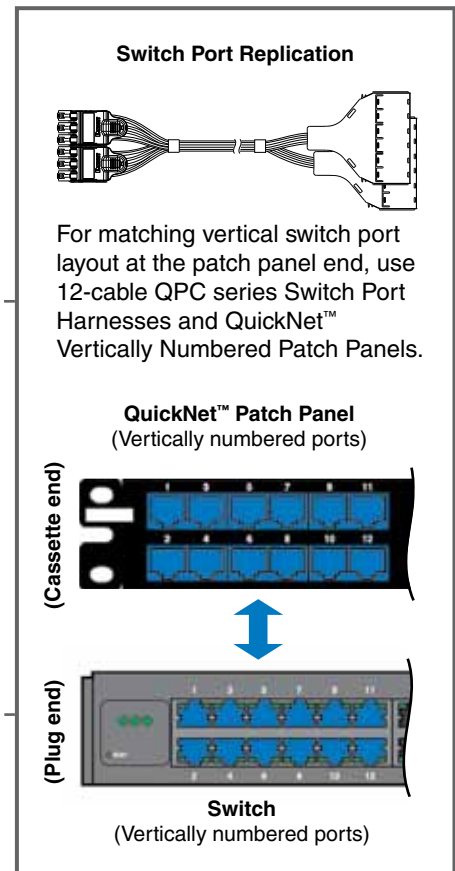
Plug Pack to Cassette

Length	6-Cable with Plug Pack	6-Cable with Recessed Plug Pack	12-Cable with Plug Pack
5 feet	QPCSDABB05	QPCSDBRB05	QPCSDBBB05
7 feet	QPCSDABB07	QPCSDBRB07	QPCSDBBB07
10 feet	QPCSDABB10	QPCSDBRB10	QPCSDBBB10
14 feet	QPCSDABB14	QPCSDBRB14	QPCSDBBB14
20 feet	QPCSDABB20	QPCSDBRB20	QPCSDBBB20



Loose Plug to Cassette

Length	6-Cable with Plug Pack	12-Cable with Loose Plug
5 feet	QPCSDB6XB05	QPCSDBWXB05
7 feet	QPCSDB6XB07	QPCSDBWXB07
10 feet	QPCSDB6XB10	QPCSDBWXB10
14 feet	QPCSDB6XB14	QPCSDBWXB14
20 feet	QPCSDB6XB20	QPCSDBWXB20



WORLDWIDE SUBSIDIARIES AND SALES OFFICES

PANDUIT CANADA
Markham, Ontario
cs-cdn@panduit.com
Phone: 800.777.3300

PANDUIT EUROPE LTD.
London, UK
cs-emea@panduit.com
Phone: 44.20.8601.7200

PANDUIT SINGAPORE PTE. LTD.
Republic of Singapore
cs-ap@panduit.com
Phone: 65.6305.7575

PANDUIT JAPAN
Tokyo, Japan
cs-japan@panduit.com
Phone: 81.3.6863.6000

PANDUIT LATIN AMERICA
Guadalajara, Mexico
cs-la@panduit.com
Phone: 52.33.3777.6000

PANDUIT AUSTRALIA PTY. LTD.
Victoria, Australia
cs-aus@panduit.com
Phone: 61.3.9794.9020

For a copy of Panduit product warranties, log on to www.panduit.com/warranty

For more information

Visit us at www.panduit.com

Contact Customer Service by email: cs@panduit.com
or by phone: 800.777.3300

PANDUIT®

©2014 Panduit Corp.
ALL RIGHTS RESERVED.
COCB21--SA-ENG
6/2014

X-ON Electronics

Largest Supplier of Electrical and Electronic Components

Click to view similar products for [Ethernet Cables / Networking Cables](#) category:

Click to view products by [Panduit](#) manufacturer:

Other Similar products are found below :

[73-6670-7](#) [73-6680-15](#) [73-7797-25](#) [MCJB2-10P6Q7-120](#) [84909-0204](#) [1200700174](#) [1200860368](#) [E16A06002M030](#) [E200102-009-S1](#)
[AX105346-EW](#) [MT14-187L](#) [17-103530](#) [ERWPAB3002M005](#) [190-038045-01](#) [NK5EPC18RDY](#) [NK5EPC18VLY](#) [NK5EPC18YLY](#)
[NK5EPC1GRY](#) [NK5EPC4Y](#) [NK5EPC6YLY](#) [NK5EPC8BLY](#) [NK5EPC9YLY](#) [1969343-6](#) [C501100010](#) [C501106002](#) [C501106007](#)
[C501106015](#) [C501106025](#) [C601102010](#) [C601104010](#) [C601106007](#) [C601106015](#) [2142758-2](#) [2168427-2](#) [CAT1106007](#) [21949-1](#) [2J1866A](#)
[RJF SFTP 5E 0500](#) [AX100351](#) [MN14CEC/ST](#) [C501100015](#) [C501106004](#) [C501106010](#) [C5F1108007](#) [C601104004](#) [C601106004](#)
[CA21106004](#) [CA21106010](#) [CA21106015](#) [CA21109007](#)