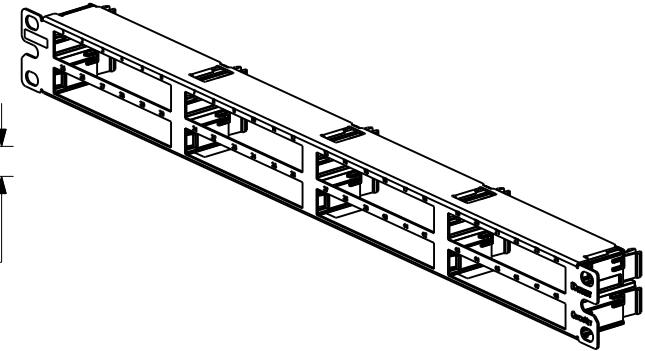
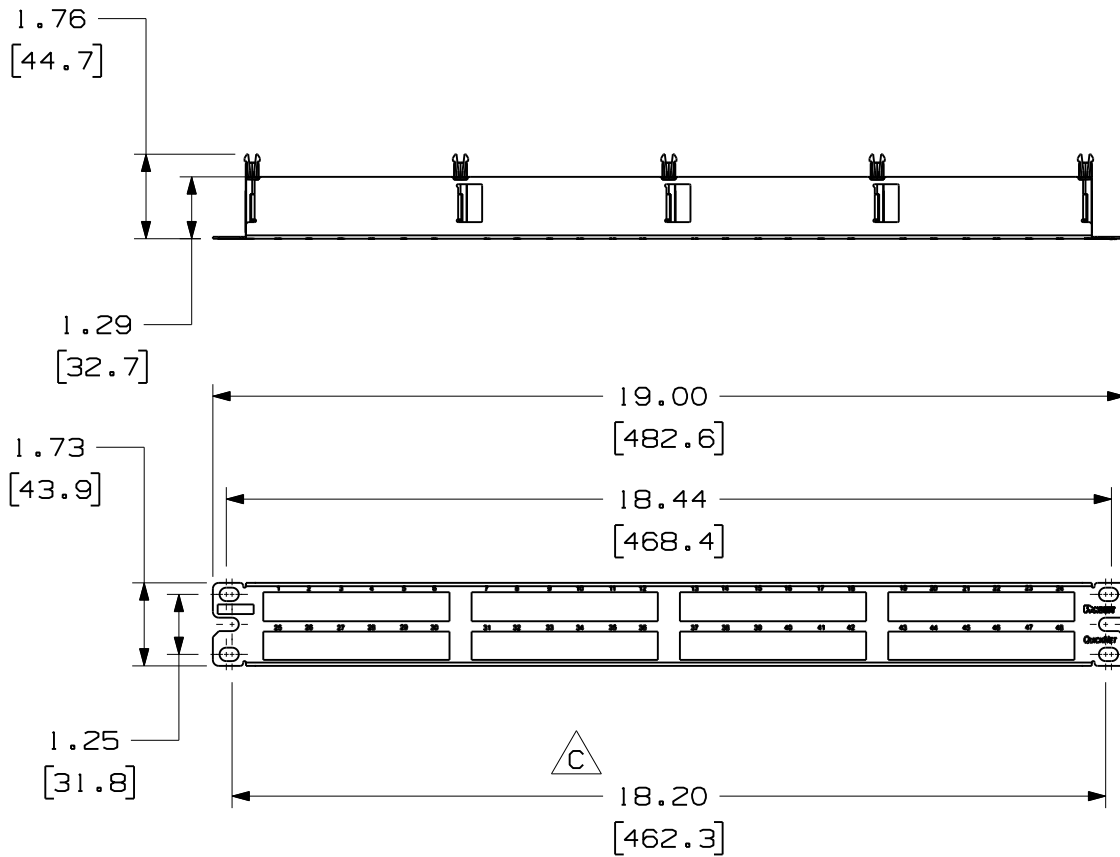


THIS COPY IS PROVIDED ON A RESTRICTED BASIS AND IS NOT TO BE USED IN ANY WAY DETRIMENTAL TO THE INTERESTS OF PANDUIT CORP.

PANDUIT PART NO.	WEIGHT (APPOX.)
QPP48HDBL	0.65 lb (294.8 g)

- NOTES:
- SEE CURRENT CATALOG FOR VARIOUS APPLICATIONS.
  - THE PATCH PANEL IS DESIGNED FOR MOUNTING TO 19" UNIVERSAL RACKS.
  - DIMENSIONS IN BRACKETS ARE IN METRIC.
  - PART INCLUDES:
    - 1- METAL STAMPING WITH SLIDE GUIDES
    - 1- SCREW KIT (INCLUDES FOUR #12-24 SCREWS)
    - 1- SCREW KIT (INCLUDES FOUR M6 SCREWS)



MODEL FILENAME M02582BP_48_PORT_1RU_ST_PANEL_ASSY_06	SIZE A
DRAWING FILENAME M02582BP_DC18_06A.PRT	
TITLE QUICKNET 48 PORT PATCH PANEL CUSTOMER DRAWING	

REV	DATE	BY	CHK	DESCRIPTION	ECN	R	CUST	SUP	OTH
1	6-15-07	BJN	EJH	C. ADDED 18.20 [462.3] DIMENSION B. ADDED .62 [15.9] DIMENSION A. UPDATED MODEL TO REV 06	02582-18		TRW		
R	11-10-06	MDJr	WFM	RELEASED TO PRODUCTION	02582-18	TRW	TRW		

<p>PANDUIT<sup>TM</sup> CORP. TINLEY PARK, ILL 60477</p>	I.I. NUMBER
	PRODUCT SPEC
<p>THIRD ANGLE PROJECTION</p>	WORK INSTRUCTION
	SCALE .25 TO 1
DRAWN BY MDJr	PART NO. QPP48HDBL
DATE 9-01-06	DRAWING NO. 02582-18
CHK'D WFM	
MATERIAL: PANEL: CRS GUIDES: ABS	

ALL DIMENSIONS ARE GIVEN IN INCHES, UNLESS OTHERWISE SPECIFIED.  
DIMENSIONAL TOLERANCES ARE:  
(.X) ±.06 (XXX) ±.010  
(.XX) ±.02 ANGLES ± 2°

## X-ON Electronics

Largest Supplier of Electrical and Electronic Components

*Click to view similar products for [Fibre Optic Connectors](#) category:*

*Click to view products by [Panduit](#) manufacturer:*

Other Similar products are found below :

[0004700001](#) [6100-R](#) [6313](#) [F709722200](#) [F709730000](#) [F718183204](#) [F727403500](#) [F727752800](#) [8119](#) [9440F20-27S-190](#) [944-120-6001](#)  
[9441F10SL-3S](#) [9444W28-21S](#) [9444W36-10S](#) [9446F10SL-4S](#) [9446W20-16S](#) [953-101-5310-P](#) [954-101-57202B](#) [A0270169](#) [12-9122](#) [12-5702](#)  
[AX101713](#) [AX102420](#) [AX103923](#) [AX104024](#) [AX104193](#) [AX104230](#) [AX104562](#) [AX105203-B25](#) [AX105205-S1](#) [EHSC2M](#) [17-300800](#)  
[181-011-126](#) [181-011-S](#) [181-057-126](#) [HRFC-R2\(40\)](#) [NKSOPBUY](#) [20500002116](#) [2064996-1](#) [20800001065](#) [2170](#) [9132](#) [2612](#) [2620](#) [9291](#)  
[9440F16-10S](#) [9440F20-18S](#) [9446F16-10S-190](#) [953-106-50231](#) [953-120-5003](#)