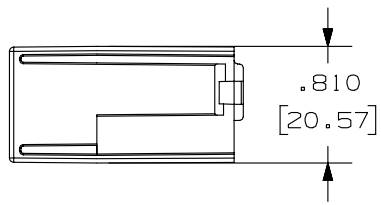
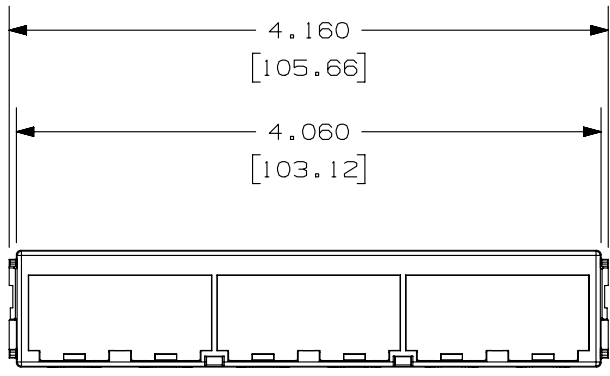


2

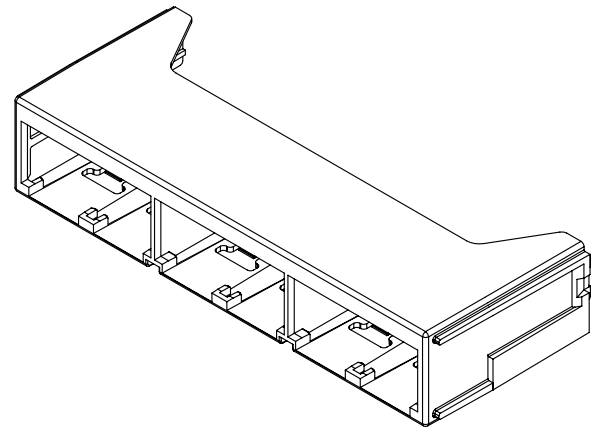
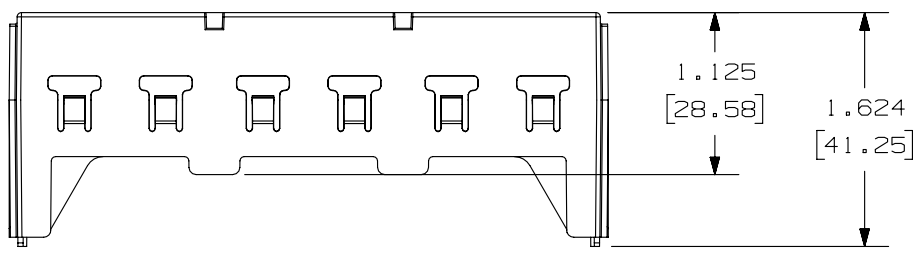
1

THIS COPY IS PROVIDED ON A RESTRICTED BASIS AND IS NOT TO BE USED IN ANY WAY DETRIMENTAL TO THE INTERESTS OF PANDUIT CORP.



PANDUIT PART NUMBER	WEIGHT (APPOX.)
QPPABL	0.06 lbs (3.2 g)

- NOTES:
1. SEE CURRENT CATALOG FOR VARIOUS APPLICATIONS.
 2. THE ADAPTER IS DESIGNED FOR USE WITH QUICKET PATCH PANELS.
 3. DIMENSIONS IN BRACKETS ARE IN METRIC.



PART NUMBER		QPPABL	
TITLE			
MINI-COM 6 POSITION QUICKNET PATCH PANEL ADAPTER			
CUSTOMER DRAWING			
ITEM REVISION NAME		M02582BE/09	
DATASET FILE NAME		M02582BE_DC36/08B	
UNLESS OTHERWISE SPECIFIED, DIMENSIONAL TOLERANCES ARE: IN [mm]		MATERIAL:	
.x ± .xxx ± .010 [.3]		ABS	
.xx ± .03 [.8]		DRAWING NUMBER:	
ANGLES ±		02582 - 36	
THIRD ANGLE PROJECTION		SHT 1 OF 1	
DRAWN BY	DATE	CHK	SCALE
KSM	1-03-07	WFM	NONE
REV	DATE	BY	CHK
2	5/23/14	JSP	REFR
APR	TMBA	REVISED AND REDRAWN, PREVIOUS REVISIONS HAVE BEEN OMITTED.	
DESCRIPTION	ECN	02582-36	

D10100DA/14

2

1

X-ON Electronics

Largest Supplier of Electrical and Electronic Components

Click to view similar products for [Fibre Optic Connectors](#) category:

Click to view products by [Panduit](#) manufacturer:

Other Similar products are found below :

[0004700001](#) [6100-R](#) [6313](#) [F709722200](#) [F709730000](#) [F718183204](#) [F727403500](#) [F727752800](#) [8119](#) [9440F20-27S-190](#) [944-120-6001](#)
[9441F10SL-3S](#) [9444W28-21S](#) [9444W36-10S](#) [9446F10SL-4S](#) [9446W20-16S](#) [953-101-5310-P](#) [954-101-57202B](#) [A0270169](#) [12-9122](#) [12-5702](#)
[AX101713](#) [AX102420](#) [AX103923](#) [AX104024](#) [AX104193](#) [AX104230](#) [AX104562](#) [AX105203-B25](#) [AX105205-S1](#) [EHSC2M](#) [17-300800](#)
[181-011-126](#) [181-011-S](#) [181-057-126](#) [HRFC-R2\(40\)](#) [NKSOPBUY](#) [20500002116](#) [2064996-1](#) [20800001065](#) [2170](#) [9132](#) [2612](#) [2620](#) [9291](#)
[9440F16-10S](#) [9440F20-18S](#) [9446F16-10S-190](#) [953-106-50231](#) [953-120-5003](#)