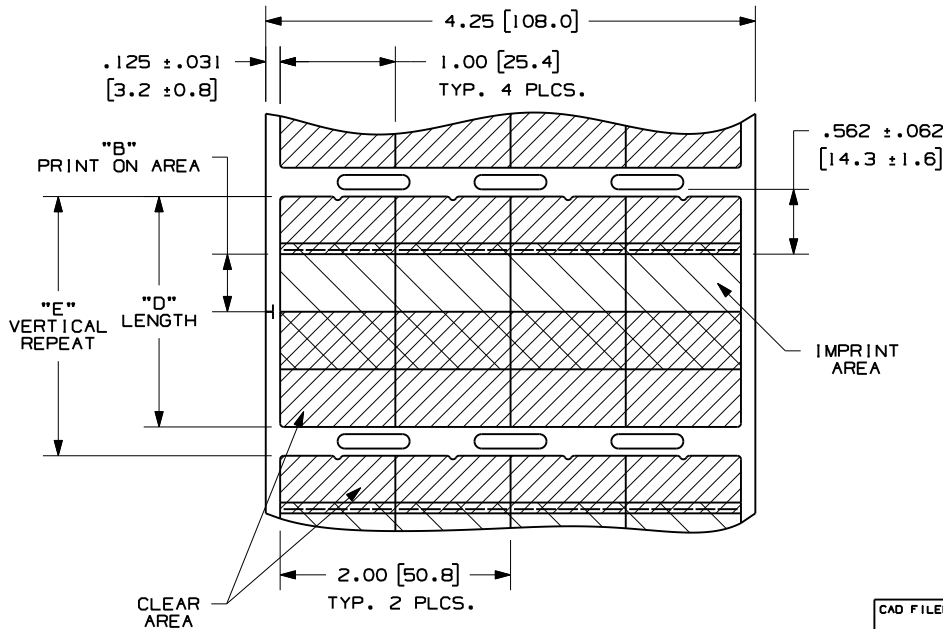


THIS COPY IS PROVIDED ON A RESTRICTED BASIS AND IS NOT TO BE USED IN ANY WAY DETRIMENTAL TO THE INTERESTS OF PANDUIT CORP.

PART NUMBER	APPLICATION DIAMETER RANGE	MATERIAL	"B" +/- .062 PRINT ON AREA	"D" +/- .062 LENGTH	"E" VERTICAL REPEAT	LABELS PER ROW	STANDARD PKG. QTY.
R100X075VIT	.120"-.160"	GMH6	.25 (6.4)	1.25 (31.8)	1.50 (38.1)	4	2500
R100X125VIT	.160"-.220"	GMH6	.38 (9.5)	1.75 (44.5)	2.00 (50.8)	4	2500
R100X150V•T	.220"-.280"	GMH6	.50 (12.7)	2.00 (50.8)	2.25 (57.2)	4	2500
R100X225V•T	.280"-.390"	GMH6	.75 (19.1)	2.75 (69.9)	3.00 (76.2)	4	2500
R100X400VIT	.390"-.950"	GMH6	1.00 (25.4)	4.50 (114.3)	4.75 (120.7)	4	1000
R200X150VIT	.220"-.280"	GMH6	.50 (12.7)	2.00 (50.8)	2.25 (57.2)	2	1000
R200X225VIT	.280"-.390"	GMH6	.75 (19.1)	2.75 (69.9)	3.00 (76.2)	2	1000
R200X400VIT	.390"-.950"	GMH6	1.00 (25.4)	4.50 (114.3)	4.75 (120.7)	2	1000

SEE • COLOR OPTION



\* COLOR OPTION

PART NUMBER	COLOR
R100X150VIT	WHITE
R100X150V2T	TIA BLUE
R100X150V3T	TIA GREEN
5 R100X150V4T	TIA GRAY
R100X150V7T	TIA RED
R100X150V8T	TIA YELLOW
R100X225VIT	WHITE
R100X225V2T	TIA BLUE
R100X225V3T	TIA GREEN
5 R100X225V4T	TIA GRAY
R100X225V7T	TIA RED
R100X225V8T	TIA YELLOW

NOTES:  
 1. MILLIMETERS ARE IN [ ].  
 2. SEE B20392 FOR INSTALLATION INSTRUCTIONS.

CAD FILENAME/LAYERS 100147BD-DC-C10784/10F

PANDUIT CORP. TINLEY PARK, ILLINOIS

CUSTOMER DRAWING  
 TURN TELL ROTATABLE  
 SELF-LAMINATING LABEL, R\*\*\*X\*\*\*V•T

UNLESS OTHERWISE SPECIFIED,  
 DIMENSIONAL TOLERANCES ARE:  
 (.X) ± .12 (.XXX) ± .025  
 (.XX) ± .062 ANGLES ±

UNLESS OTHERWISE SPECIFIED,  
 ALL DIMENSIONS ARE GIVEN  
 IN INCHES, THIRD ANGLE PROJECTION.

DRAWN BY RVU

MAT'L;

SCALE NTS

DATE 9/1/09

SEE TABLE

DRAWING NO.

C10784

DWG  
 A  
 SIZE

CHK'D

REV	DATE	BY	CHK	DESCRIPTION	ECN	R	CUST	SUP
5	8/23/12	RVU		ADD PN, R100X150V4T, TIA GRAY, AND R100X225V4T, TIA GRAY.	GAECN00194		R	
4	3/1/11	RVU		UPDATE DRAWING INTO DATABASE. .220"-.280" was .180"-.280". "B" WAS "A". "E" WAS "F".	6322		R	
3	12/27/10	RVU		ADD NEW PN: R200X150VIT.	6268		R	
2	4/20/10	RVU		ADD COLOR OPTION TABLE.	6025		R	
1	9/24/09	RVU		DRAWING RELEASE.	5845		R	
0	9/10/09	RVU		VOID				

## X-ON Electronics

Largest Supplier of Electrical and Electronic Components

*Click to view similar products for [Wire Labels & Markers](#) category:*

*Click to view products by [Panduit](#) manufacturer:*

Other Similar products are found below :

[89078GBEST](#) [89082GBESR](#) [89082GBEST](#) [PCL025-4](#) [5761-2SF](#) [58400](#) [586R734H02](#) [M1.040.0000.6](#) [CRS-CM5M](#) [CRS-M18M](#) [CS1836-000](#) [CS8626-000](#) [CU6337-000](#) [CU6342-000](#) [CU6343-000](#) [CWD01-0](#) [CWD012-0](#) [CWD012-7](#) [CWD015-3](#) [CWD015-7](#) [CWD02-0](#) [CWD02-3](#) [CWD02-4](#) [CWD02-6](#) [CWD02-8](#) [CWD02-A](#) [CWD02-D](#) [CWD02-H](#) [CWD02-K](#) [CWD02-L](#) [CWD02-M](#) [CWD02-P](#) [CWD02-Q](#) [CWD02-R](#) [CWD02-U](#) [CWD02-W](#) [CWD02-Y](#) [CWD03-+](#) [CWD03-0](#) [CWD03-P](#) [CWD06-0](#) [CWD06-8](#) [CWD06-9](#) [CWD06-L](#) [CWD06-N](#) [CWD09-0](#) [CWD09-5](#) [CWD09-7](#) [6806810001](#) [CZ2857-000](#)