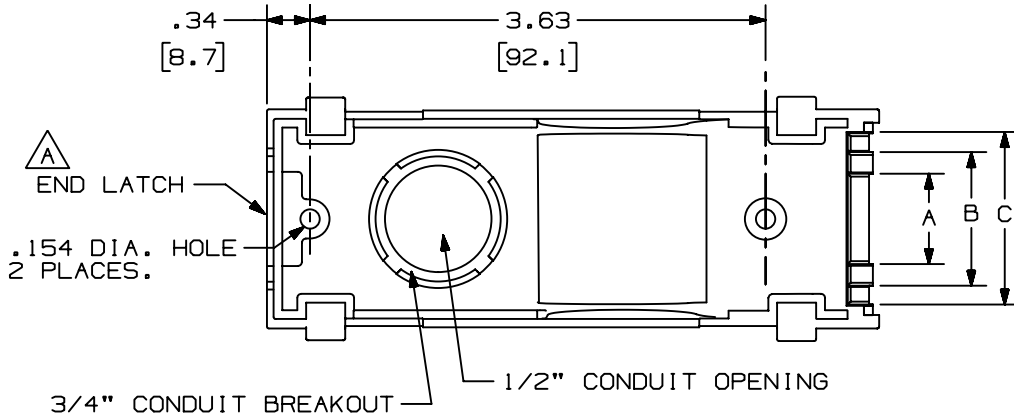
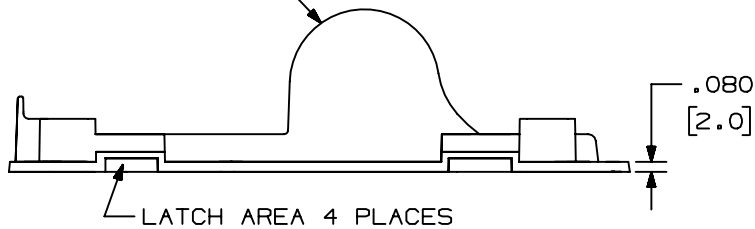


THIS COPY IS PROVIDED ON A RESTRICTED BASIS AND IS NOT TO BE USED IN ANY WAY DETRIMENTAL TO THE INTERESTS OF PANDUIT CORP.



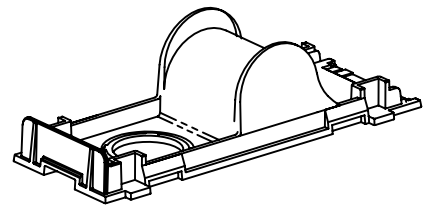
1" BEND RADIUS FOR CATEGORY 5 UTP 4 PAIR CABLE OR EQUIVALENT



PANDUIT PART NO.	WEIGHT	
C RAEFX	BASE	1.65 LB/10 PCS
	COVER	(745.9 g/10 PCS)

NOTES:
1. SEE CURRENT CATALOG FOR ADDITIONAL PART NUMBER SUFFIXES TO INDICATE COLOR AND OR PACKAGE QUANTITY.

RACEWAY BREAKOUT	USED WITH PAN-WAY RACEWAY	ADAPTERS
A	LD3, LDP3, LDS3	CA3
A	PD3	CAP3
B	LD5, LDP5, LDS5	CA5
B	PD6	CAP6
C	LD10, LDP10	N/A



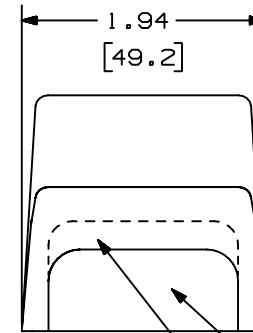
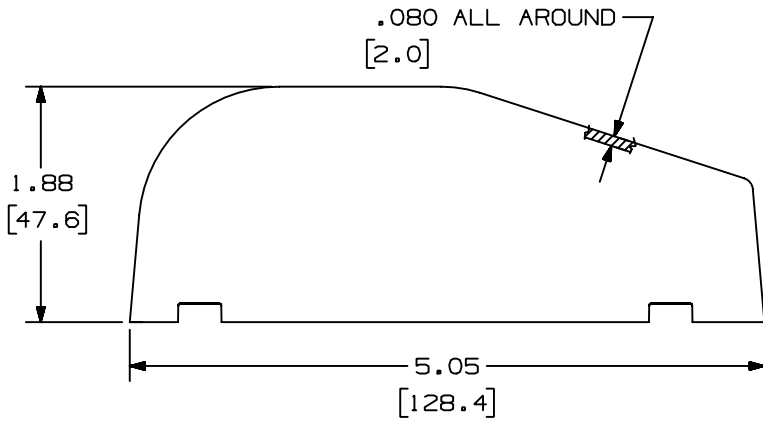
CAD FILENAME/LAYERS D35071AA_RAEFBASE_C_03.PRT

PANDUIT CORP. TINLEY PARK, ILLINOIS
RIGHT ANGLE ENTRANCE END FITTING
BASE (RAEFX)
CUSTOMER DRAWING

REV	DATE	BY	CHK	DESCRIPTION	ECN	CHK	CUST	SUP
4	03-18-04	JHEP	RGRO	H. REMOVED PART NUMBERS CD3, CD5 AND CD10	35071-01	RGRO	RGRO	
---	---	---	---	G. ADDED LDS3 AND LDS5. F. REV'D MATERIAL: WAS PVC.	---	---		
3	09-23-96	JBA	CEF	D. ADDED LDS3 E. ADDED LDS5 C. REV'D P/N: WAS RAEF.	35071-01	CEF	CEF	
2	09-14-95	DW	CEF	B. REVISED MATERIAL WAS ABS.	35071-01	CEF		
1	07-10-95	DW	CEF	A. ADDED END LATCH TO PART.	35071-01	CEF		
R	01-12-95	KRKE	CEF	RELEASED TO PRODUCTION	35071-01	CEF		

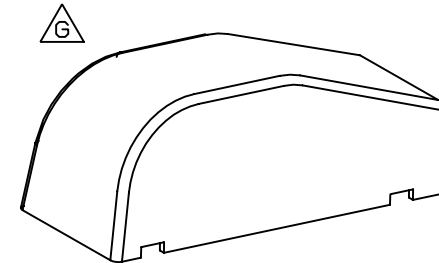
UNLESS OTHERWISE SPECIFIED, DIMENSIONAL TOLERANCES ARE: (.X) ± (.XXX) ±.010 [.3] (.XX) ±.03 [.8] ANGLES ±		UNLESS OTHERWISE SPECIFIED, ALL DIMENSIONS ARE GIVEN IN INCHES, THIRD ANGLE PROJECTION.	
DRAWN BY KRKE	MAT'L: ABS/PC	SCALE NONE	
DATE 01-12-95	B F	DRAWING NO. 35071-01	DWG A
CHECKED BY CEF		SHT 1 OF 2	SIZE

THIS COPY IS PROVIDED ON A RESTRICTED BASIS AND IS NOT TO BE USED IN ANY WAY DETRIMENTAL TO THE INTERESTS OF PANDUIT CORP.



BREAKOUT FOR: LD10, CD10, LDP10

$\triangle H$ OPENING FOR: LD3, PD3, LD5, PD6, LDP3, LDP5, LDS3, LDS5 WITH ADAPTERS



CAD FILENAME/LAYERS D35071AA_RAEFBASE_C_03.PRT

PANDUIT CORP. TINLEY PARK, ILLINOIS

RIGHT ANGLE ENTRANCE END FITTING
BASE (RAEFX)
CUSTOMER DRAWING

UNLESS OTHERWISE SPECIFIED,
DIMENSIONAL TOLERANCES ARE:
(.X) \pm (.XXX) \pm .010(.3)
(.XX) \pm .03 (.8) ANGLES \pm

UNLESS OTHERWISE SPECIFIED,
ALL DIMENSIONS ARE GIVEN
IN INCHES, THIRD ANGLE PROJECTION.

REV	DATE	BY	CHK	DESCRIPTION	ECN	CHK	CUST	SUP
4	03-18-04	JHEP	RGRO	FOR REVISIONS SEE SHT 1 OF 2.	35071-01	RGRO		
3	09-23-98	JBA	CEF	FOR REVISIONS SEE SHT 1 OF 2.	35071-01	CEF		
2	09-14-95	DW	CEF	FOR REVISIONS SEE SHT 1 OF 2.	35071-01	CEF		
1	07-10-95	DW	CEF	FOR REVISIONS SEE SHT 1 OF 2.	35071-01	CEF		
R	01-12-95	KRKE	CEF	FOR REVISIONS SEE SHT 1 OF 2.	35071-01	CEF		

DRAWN BY KRKE	MAT'L: $\triangle F$ ABS/PC
DATE 01-12-95	$\triangle B$
CHECKED BY CEF	

SCALE NONE	DWG A SIZE
DRAWING NO. 35071-01 SHT 2 OF 2	

X-ON Electronics

Largest Supplier of Electrical and Electronic Components

Click to view similar products for [Wire Ducting](#) category:

Click to view products by [Panduit](#) manufacturer:

Other Similar products are found below :

[66200A-10](#) [CVED32VEPG](#) [CVED40VEPG](#) [F512D5-5F140Y](#) [F512D5-5F200Y](#) [F512D5-5F26Y](#) [F512D5-5F30Y](#) [F512D5-5F33Y](#) [F512D5-5F34Y](#) [F512D5-5F45Y](#) [F512D5-5F50Y](#) [F512D5-5F54Y](#) [F512D5-5F66Y](#) [F512D5-5F70Y](#) [F512D5-5F75Y](#) [F512D5-5F90Y](#) [F612D5-5F100Y](#) [F612D5-5F130Y](#) [F612D5-5F50Y](#) [F612D5-5F56Y](#) [F612D5-5F58Y](#) [F6L12D5-5F46](#) [F912D5-5F11Y](#) [F912D5-5F170Y](#) [F912D5-5F175Y](#) [F912D5-5F230Y](#) [F912D5-5F300Y](#) [F912D5-5F55Y](#) [F912D5-5F56Y](#) [F912D5-5F63Y](#) [F912D5-5F6Y](#) [F912D5-5F75Y](#) [F912D5-5F85Y](#) [F912D5-5F86Y](#) [F912D5-5F88Y](#) [F912D5-5F96Y](#) [FAP0047WBLMTP](#) [FAP12WBRDRDDLZ](#) [FAP12WDYLYLDLZ](#) [FAP12WEORORDLZ](#) [FAP6WEORORDLZ](#) [FAP6WFDBDBDLZ](#) [FAP8WEORORDLZ](#) [FCE2UWCL](#) [800A-LB](#) [802A-ECSP](#) [802I-ICSP](#) [FJQADH](#) [FJQFXT](#) [PED10](#)