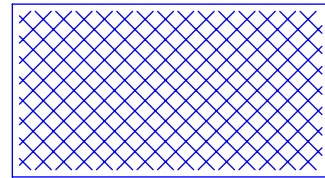


NOTES:

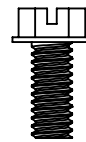
1. RACK GROUNDING EQUIPMENT JUMPER KIT
PART NUMBER: RGEJ1036PFY, RGEJ1096PF
2. ALL COMPONENTS THAT MAKE UP THIS KIT
ARE RoHS COMPLIANT.



CLEANING PAD (QTY. 1)



5cc TUBE ANTI-OXIDANT PASTE (QTY. 1)



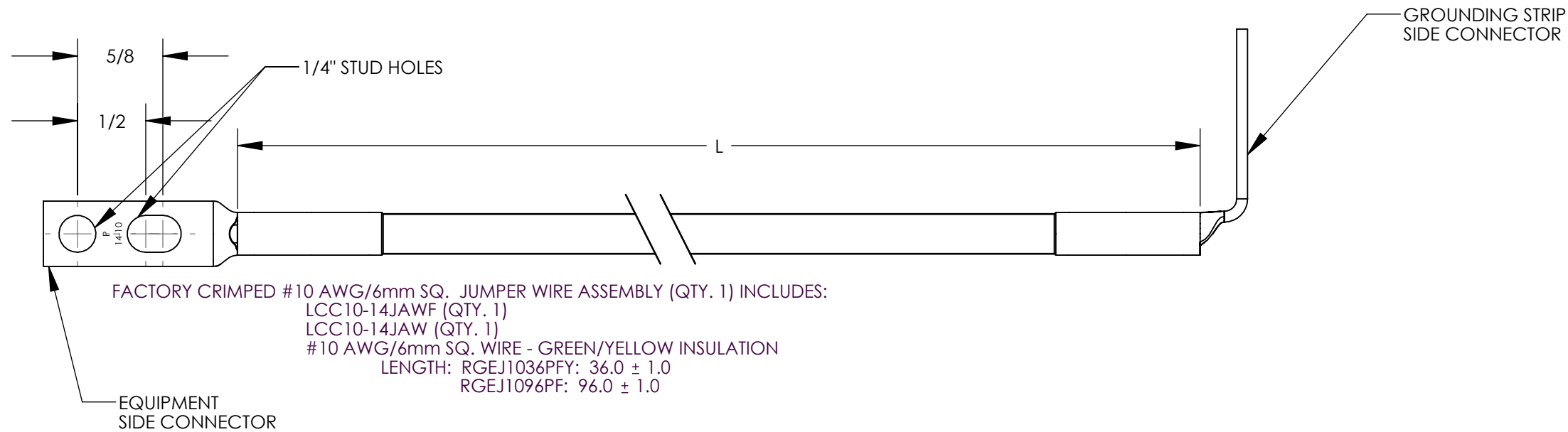
#12-24, M6, #10-32, & M5
SLOTTED HEX-HEAD ZINC PLATED
THREAD-FORMING SCREW (QTY. 2 OF EACH)



LISTED
GROUNDING AND BONDING EQUIPMENT



CERTIFIED



						PANDUIT CORP. TINLEY PARK, ILLINOIS			
						EQUIPMENT JUMPER (RGEJ1036PFY, RGEJ1096PF) CUSTOMER DRAWING			
03	12/12	JHNU	RGB	ADDED RGEJ1096PF	N41645BB-C41645	RGB	RGB	UNLESS OTHERWISE SPECIFIED DIMENSIONAL TOLERANCES ARE: (.X) ± (.XXX) ± (.XX) ± ANGLES ±	UNLESS OTHERWISE SPECIFIED, ALL DIMENSIONS ARE GIVEN IN INCHES, THIRD ANGLE PROJECTION
02	9/06	JHNU	CSH	REVISED NOTE 2: ADDED PACKAGE & CARTON WEIGHT	PC00542				
01	3/06	JHNU	CSH	REMOVED CE SYMBOL FROM DRAWING	PC00362			DRAWN BY JHNU	SCALE NONE
00	2/06	JHNU	CSH	DRAWING RELEASED	PC00325			DATE 2/06	DRAWING NO / CAD FILE C41645_03
REV	DATE	BY	CHK	DESCRIPTION	ECN	-R	SUP	CHK'D	DWG B SIZE

X-ON Electronics

Largest Supplier of Electrical and Electronic Components

Click to view similar products for [Jumper Wires](#) category:

Click to view products by [Panduit](#) manufacturer:

Other Similar products are found below :

[420688201-3](#) [PCIEC-064-1000-EC-EM-P-85](#) [PCIEC-064-0500-EC-EM-P-85](#) [MIKROE-1388](#) [MIKROE-2022](#) [BC-32626](#) [BC-32678](#) [920-0137-01](#) [920-0164-01](#) [920-0163-01](#) [920-0162-01](#) [920-0189-01](#) [920-0195-50](#) [920-0192-50](#) [920-0191-01](#) [920-0190-01](#) [920-0188-01](#) [920-0187-01](#) [920-0183-01](#) [920-0176-01](#) [920-0156-50](#) [920-0085-01](#) [TW-AM-6](#) [ICTC-MP](#) [ICTC-FP](#) [240-006](#) [923345-01-C](#) [923345-02-C](#) [923345-03-C](#) [923345-04-C](#) [923345-05-C](#) [923345-06-C](#) [923345-07-C](#) [923345-08-C](#) [923345-09-C](#) [923345-10-C](#) [923345-20-C](#) [923345-30-C](#) [923345-40-C](#) [923345-50-C](#) [923351-I](#) [BC-32670](#) [BC-32671](#) [BC-32672](#) [920-0143-01](#) [920-0145-01](#) [920-0177-01](#) [920-0178-01](#) [920-0179-01](#) [920-0181-01](#)