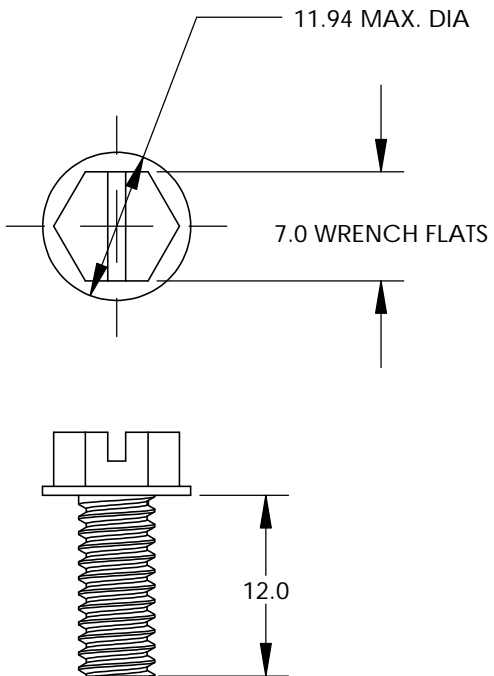


THIS COPY IS PROVIDED ON A RESTRICTED BASIS AND IS NOT TO BE USED IN ANY WAY DETRIMENTAL TO THE INTERESTS OF PANDUIT CORP.

PANDUIT PART NUMBER	QUANTITY
RGTSM5-C	100



NOTES:

1. PAINT PIERCING THREAD DESIGN TO PROVIDE GROUNDING CONNECTION TO THE RACK.
2. M5 SLOTTED HEX HEAD THREAD FORMING SCREW.
3. MATERIAL: CLEAR TRIVALENT ZINC PLATED LOW CARBON STEEL
4. PANDUIT PART NUMBER: RGTSM5-C
5. DIMENSIONS ARE IN MILLIMETERS.
6. ALL COMPONENTS THAT MAKE UP THIS PART ARE RoHS COMPLIANT.

C41616\_00

**PANDUIT CORP.** TINLEY PARK, ILLINOIS

M5 SLOTTED HEX HEAD  
 THREAD FORMING SCREW (RGTSM5)  
 CUSTOMER DRAWING

00	12/05	JHNU	RGB	DRAWING RELEASED	PC00232				DRAWN BY JHNU	CHK'D	SCALE NONE	DRAWING NO / CAD FILE C41616
REV	DATE	BY	CHK	DESCRIPTION	ECN	PM	APP					

## X-ON Electronics

Largest Supplier of Electrical and Electronic Components

*Click to view similar products for [Racks & Rack Cabinet Accessories](#) category:*

*Click to view products by [Panduit](#) manufacturer:*

Other Similar products are found below :

[M00-PLN](#) [F2424](#) [8351-832-A-24](#) [9104](#) [9105](#) [PLFF2000](#) [H-9163-B](#) [1427C3](#) [HTS10](#) [PC-79](#) [SC10-3A](#) [SC4-28](#) [CG3-340S/12](#) [CP-001BK](#)  
[M6123-4007-SS](#) [AX61400TB](#) [TS170](#) [LP40](#) [5261304-07](#) [CG3-160G](#) [7112C-PLN](#) [ALUM](#) [CM10](#) [8610-3124-S-26](#) [TS81](#) [7142](#) [GP134](#)  
[M6125-4007-A-24](#) [M6127-4007-SS](#) [PBCOVER](#) [512](#) [AEG-4000G](#) [AEG-3000G](#) [HD99](#) [SR2-66A2](#) [FP10B4HP-1](#) [FP52-2](#) [1406-1006-01](#)  
[29478](#) [TS2535](#) [TS169-6](#) [CAC2](#) [HA19-3U](#) [BR-19-10-1](#) [TS180](#) [CG3-ESD](#) [SC11-1](#) [CFS-1.00/2.20](#) [AX6145WM](#) [HEC0800PB](#) [ZC633R](#)