

specifications

The temperature sensor will detect and capture air or surface temperatures in and around a rack, cabinet or room in a data center or facility. The temperature sensors will be installed as part of a primary/secondary topology, where the captured temperature data is transmitted to, and retained within, a connected gateway device. This data can be used to display baseline operational data through connected gateway firmware or through the SmartZone™ Software Suite platform.



technical information

Dimensions:	Probe 0.6 in. x 0.3 in. (16mm x 7mm)
Monitoring range:	32°F to 158°F (0°C to 70°C)
Monitoring accuracy:	+/-1°C standard transducer @ 68°F (20°C)
Temperature hysteresis:	Programmable 0.1°C to 9.9°C in 0.1°C increments
Cable length:	Supplied with standard 12 in. (30cm) cable terminated with a RJ45 socket
Mounting:	M3 size fixing tab

key features and benefits

Temperature monitoring	Detects and captures the air or surface temperature in and around a rack, cabinet, or room in a data center or facility as part of a comprehensive environmental monitoring system
RJ45 connection	Utilizes an RJ45 plug socket to allow standard patch cable connection to a SmartZone™ Gateway port, avoiding time delays during deployment
Gateway-hosted IP address	Connects to a SmartZone™ Gateway device that captures sensor and other device data through one single Gateway IP address, reducing the need for separate IP ports, IP capital costs, and management overhead; no setup required; the gateway will automatically recognize this as a temperature sensor and auto-configure itself
Versatile mounting	Offers versatile mounting options to accommodate easy indoor deployment in a rack or within a room
SmartZone™ Software suite integration	Captures environmental data that is consolidated by connected gateways and then utilized by SmartZone™ Software Suite modules for real-time monitoring and display, management, and automated documentation

applications

Panduit® SmartZone™ Solutions enable comprehensive energy and physical infrastructure efficiency in data centers, facility domains, and enterprise estates through intelligent software, hardware, and services that provide granular visibility of power, space, environmental, asset, and connectivity information that is accurate and actionable for operational optimization.

Panduit® SmartZone™ Temperature Sensors enable effective data capture of relative humidity conditions at different IT and facility domain points, simplifying the gathering of intelligence in either new or retrofit installations to better understand true operating parameters within the infrastructure. These sensors are designed for indoor mounting to a rack or cabinet in a data center or facility.

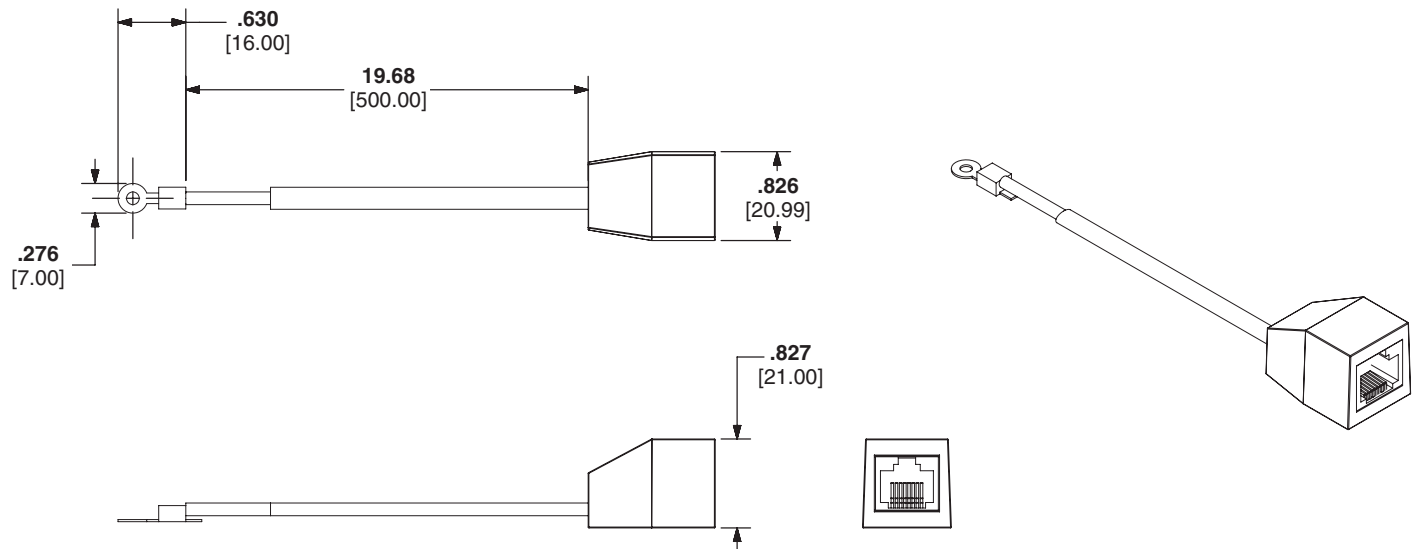
Panduit® SmartZone™ Temperature Sensors connect directly to SmartZone™ Gateways via a supplied standard network patch cable and transmit real-time environmental information through the gateway platforms to SmartZone™ Software to provide notification of exceeded thresholds, quickly identify and resolve issues, and automate collection of real-time and accurate information.

SmartZone™ Temperature Sensor

part number

Item Number	Part Description
ZETHL-14	Temperature sensor module (requires patch lead)

dimensions



Dimensions are in inches. [Dimensions in brackets are metric].

WORLDWIDE SUBSIDIARIES AND SALES OFFICES

PANDUIT CANADA
Markham, Ontario
cs-cdn@panduit.com
Phone: 800.777.3300

PANDUIT EUROPE LTD.
London, UK
cs-emea@panduit.com
Phone: 44.20.8601.7200

PANDUIT SINGAPORE PTE. LTD.
Republic of Singapore
cs-ap@panduit.com
Phone: 65.6305.7575

PANDUIT JAPAN
Tokyo, Japan
cs-japan@panduit.com
Phone: 81.3.6863.6000

PANDUIT LATIN AMERICA
Guadalajara, Mexico
cs-la@panduit.com
Phone: 52.33.3777.6000

PANDUIT AUSTRALIA PTY. LTD.
Victoria, Australia
cs-aus@panduit.com
Phone: 61.3.9794.9020

For a copy of Panduit product warranties, log on to www.panduit.com/warranty

For more information

Visit us at www.panduit.com

Contact Customer Service by email: cs@panduit.com
or by phone: 800.777.3300

PANDUIT®

©2014 Panduit Corp.
ALL RIGHTS RESERVED.
PVSP102--WW-ENG
9/2014

X-ON Electronics

Largest Supplier of Electrical and Electronic Components

Click to view similar products for [Wire Ducting](#) category:

Click to view products by [Panduit](#) manufacturer:

Other Similar products are found below :

[66200A-10](#) [CVED32VEPG](#) [CVED40VEPG](#) [F512D5-5F140Y](#) [F512D5-5F200Y](#) [F512D5-5F26Y](#) [F512D5-5F30Y](#) [F512D5-5F33Y](#) [F512D5-5F34Y](#) [F512D5-5F45Y](#) [F512D5-5F50Y](#) [F512D5-5F54Y](#) [F512D5-5F66Y](#) [F512D5-5F70Y](#) [F512D5-5F75Y](#) [F512D5-5F90Y](#) [F612D5-5F100Y](#) [F612D5-5F130Y](#) [F612D5-5F50Y](#) [F612D5-5F56Y](#) [F612D5-5F58Y](#) [F6L12D5-5F46](#) [F912D5-5F11Y](#) [F912D5-5F170Y](#) [F912D5-5F175Y](#) [F912D5-5F230Y](#) [F912D5-5F300Y](#) [F912D5-5F55Y](#) [F912D5-5F56Y](#) [F912D5-5F63Y](#) [F912D5-5F6Y](#) [F912D5-5F75Y](#) [F912D5-5F85Y](#) [F912D5-5F86Y](#) [F912D5-5F88Y](#) [F912D5-5F96Y](#) [FAP0047WBLMTP](#) [FAP12WBRDRDDLZ](#) [FAP12WDYLYLDLZ](#) [FAP12WEORORDLZ](#) [FAP6WEORORDLZ](#) [FAP6WFDBDBDLZ](#) [FAP8WEORORDLZ](#) [FCE2UWCL](#) [800A-LB](#) [802A-ECSP](#) [802I-ICSP](#) [FJQADH](#) [FJQFXT](#) [PED10](#)