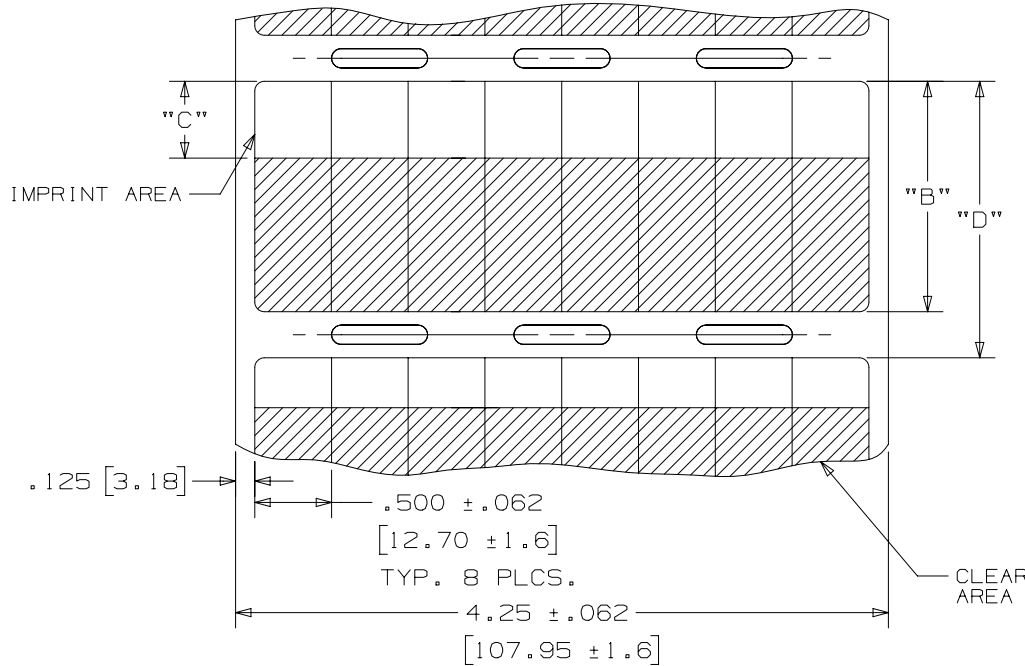


THIS COPY IS PROVIDED ON A RESTRICTED BASIS AND IS NOT TO BE USED IN ANY WAY DETRIMENTAL TO THE INTERESTS OF PANDUIT CORP.

PART NUMBER	MATERIAL	"B" HEIGHT +/- .062	IMPRINT AREA "C" +/- .062	VERTICAL REPEAT "D" +/- .062	LABELS PER ROW	STANDARD PKG. QTY.
S050X075VA1Y	GMV16 OR GMV17	0.75 [19.0]	0.25 [6.35]	1.00 [25.4]	8	5000
S050X125VA1Y		1.25 [31.8]	0.38 [9.65]	1.50 [38.1]		
S050X150VA1Y		1.50 [38.1]	0.50 [12.7]	1.80 [45.7]		



NOTES:
1. MILLIMETERS ARE IN [].



9	12/10/15	RVU	SEWH	JHAC	1.80 [45.7] WAS 1.75 [44.5].	GAECN03279
8	8/19/15	RVU	SEWH	JHAC	UPDATE ON NEW BOARDER WTIH PANDUIT LOGO. 1.75 [44.5] WAS 1.80 [45.7].	GAECN03105
7	10/25/11	RVU	MSAD		"GMV16 OR GMV17" WAS "GMV".	6548
6	10/21/10	RVU	MSAD		MILLIMETER INCORRECT. [38.1] WAS [12.7]. [9.65] WAS [9.53].	6164
5	12/10/09	RVU			GMV16 WAS GMV3. UPDATE ON ALL STANDARD TOLERANCES. ADD +/- .062.	5925
4	4/8/08	RVU			OBSOLETE P/N: S050X075VA1, S050X125VA1, AND S050X150VA1/ GMV3 WAS GMV. TOL. INCREASED.	5390
3	5/4/07	RVU			[38.1] WAS [12.7].	4973
2	8/30/06	RVU			ADDED PART NO. S050X075VA1Y, S050X125VA1Y AND S050X150VA1Y.	4678
1	3/30/06	RVU			38.1 mm WAS 12.7 mm.	4431
0	9/22/04	RVU			DRAWING RELEASED.	0000

TITLE
S050X*VA1Y**
OPTIMUM SELF-LAMINATING
THERMAL TRANSFER PRINTABLE LABELS
CUSTOMER DRAWING

ITEM REVISION NAME
100472SP/08

DATASET FILE NAME
100472SP_DC_C10195/08K

UNLESS OTHERWISE SPECIFIED,
DIMENSIONAL TOLERANCES ARE: IN [mm]
.x ± .12 [3.05] .xxx ± .025 [.635]
.xx ± .062 [1.57] ANGLES ±

MATERIAL:
SEE TABLE

DRAWING NUMBER:
C10195

THIRD ANGLE
PROJECTION

REV	DATE	BY	CHK	APR	DESCRIPTION	ECN

DRAWN BY RVU	DATE 2/6/04	CHK JHAC	SCALE NTS	SHT 1 OF 1	SIZE A
-----------------	----------------	-------------	--------------	------------	-----------

X-ON Electronics

Largest Supplier of Electrical and Electronic Components

Click to view similar products for [Wire Labels & Markers](#) category:

Click to view products by [Panduit](#) manufacturer:

Other Similar products are found below :

[89078GBEST](#) [89082GBESR](#) [89082GBEST](#) [PCL025-4](#) [5761-2SF](#) [58400](#) [586R734H02](#) [M1.040.0000.6](#) [CRS-CM5M](#) [CRS-M18M](#) [CS1836-000](#) [CS8626-000](#) [CU6337-000](#) [CU6342-000](#) [CU6343-000](#) [CWD01-0](#) [CWD012-0](#) [CWD012-7](#) [CWD015-3](#) [CWD015-7](#) [CWD02-0](#) [CWD02-3](#) [CWD02-4](#) [CWD02-6](#) [CWD02-8](#) [CWD02-A](#) [CWD02-D](#) [CWD02-H](#) [CWD02-K](#) [CWD02-L](#) [CWD02-M](#) [CWD02-P](#) [CWD02-Q](#) [CWD02-R](#) [CWD02-U](#) [CWD02-W](#) [CWD02-Y](#) [CWD03-+](#) [CWD03-0](#) [CWD03-P](#) [CWD06-0](#) [CWD06-8](#) [CWD06-9](#) [CWD06-L](#) [CWD06-N](#) [CWD09-0](#) [CWD09-5](#) [CWD09-7](#) [6806810001](#) [CZ2857-000](#)