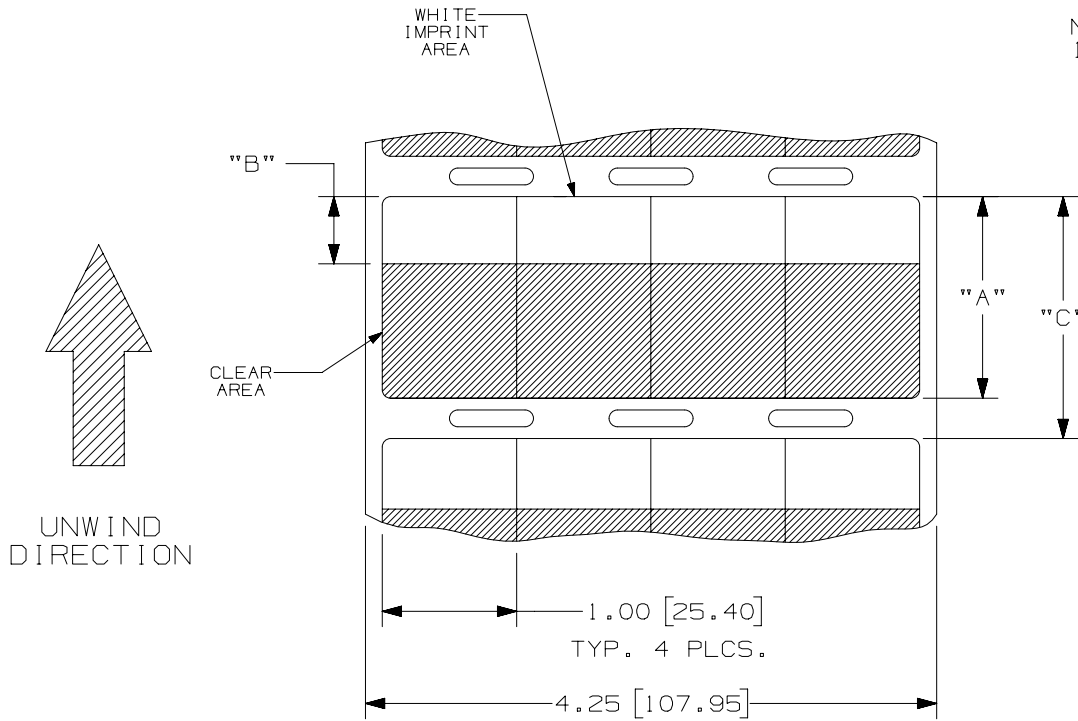


THIS COPY IS PROVIDED ON A RESTRICTED BASIS AND IS NOT TO BE USED IN ANY WAY DETRIMENTAL TO THE INTERESTS OF PANDUIT CORP.

PART NUMBER	MATERIAL	HEIGHT "A" +/- .062	IMPRINT AREA "B" +/- .062	VERTICAL REPEAT "C" +/- .062	LABELS PER ROW	STANDARD PKG. QTY.
S100X400T1T	GMTD1	4.00 [101.6]	1.00 [25.4]	4.25 [107.9]	4	2500
S100X400TAT-A	GMT1					



NOTES:
1. MILLIMETERS ARE IN [].



REV	DATE	BY	CHK	APR	DESCRIPTION	ECN
1	6/13/17	RVU	JW	JHAC	ADD S100X400TAT-A TO TABLE.	GAECN04197
0	12/13/10	RVU	SEWH	MSAD	DRAWING RELEASED.	6245

TITLE PVDF S100X400T1T AND PVF S100X400TAT-A Self Laminating Thermal Transfer Printable Labels						CUSTOMER DRAWING	
ITEM REVISION NAME I00619PF/01						PANDUIT	
DATASET FILE NAME I00619PF_DC_C10876/01B							
UNLESS OTHERWISE SPECIFIED, DIMENSIONAL TOLERANCES ARE: IN [mm]						MATERIAL: SEE TABLE	
.x ± .12 [3.05] .xxx ± .025 [.635] .xx ± .062 [1.57] ANGLES ±						DRAWING NUMBER: C10876	
 THIRD ANGLE PROJECTION						DRAWN BY: RVU DATE: 12/13/10 CHK: MSAD SCALE: NTS	
REV						SHT 1 OF 1	
DATE						SIZE A	

D10100DA/16

X-ON Electronics

Largest Supplier of Electrical and Electronic Components

Click to view similar products for [Wire Labels & Markers](#) category:

Click to view products by [Panduit](#) manufacturer:

Other Similar products are found below :

[89078GBEST](#) [89082GBESR](#) [89082GBEST](#) [PCL025-4](#) [5761-2SF](#) [58400](#) [586R734H02](#) [M1.040.0000.6](#) [CRS-CM5M](#) [CRS-M18M](#) [CS1836-000](#) [CS8626-000](#) [CU6337-000](#) [CU6342-000](#) [CU6343-000](#) [CWD01-0](#) [CWD012-0](#) [CWD012-7](#) [CWD015-3](#) [CWD015-7](#) [CWD02-0](#) [CWD02-3](#) [CWD02-4](#) [CWD02-6](#) [CWD02-8](#) [CWD02-A](#) [CWD02-D](#) [CWD02-H](#) [CWD02-K](#) [CWD02-L](#) [CWD02-M](#) [CWD02-P](#) [CWD02-Q](#) [CWD02-R](#) [CWD02-U](#) [CWD02-W](#) [CWD02-Y](#) [CWD03-+](#) [CWD03-0](#) [CWD03-P](#) [CWD06-0](#) [CWD06-8](#) [CWD06-9](#) [CWD06-L](#) [CWD06-N](#) [CWD09-0](#) [CWD09-5](#) [CWD09-7](#) [6806810001](#) [CZ2857-000](#)