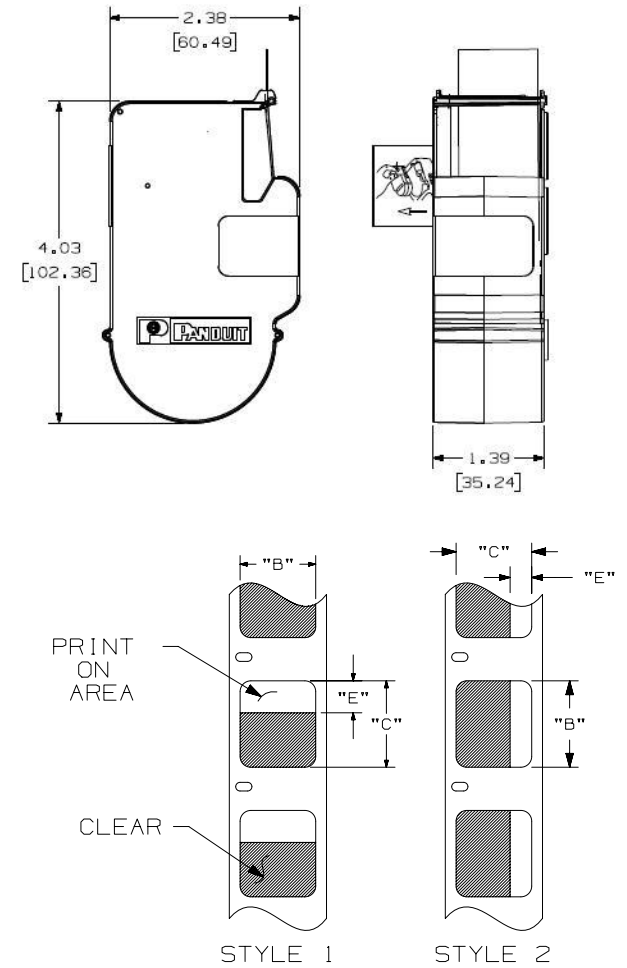


THIS COPY IS PROVIDED ON A RESTRICTED BASIS AND IS NOT TO BE USED IN ANY WAY DETRIMENTAL TO THE INTERESTS OF PANDUIT CORP.

PANDUIT PART NO.	PART DESCRIPTION	MATERIAL	STYLE	"B"	"C"	"E" ±.050	COLOR (PRINT ON AREA)	LABELS PER ROLL			
S025X075VAC	18-14 AWG WIRE	GMV17	2	0.75 [19.05]	0.25 [6.35]	0.25 [6.35]	WHITE	650			
S050X075VAC	18-14 AWG WIRE				0.50 [12.70]						
S050X125VAC	12-10 AWG WIRES		0.50 [12.70]	1.25 [31.75]	0.38 [9.65]	225					
S050X150VAC	CAT. 5e/ CAT. 6 CABLE			1.50 [38.10]	0.50 [12.70]	200					
S075X075VAC	18-14 AWG WIRE		0.75 [19.05]	0.75 [19.05]	0.25 [6.35]	350					
S075X100VAC	12-10 AWG WIRES			1.00 [25.40]	0.38 [9.65]	275					
S075X125VAC	12-10 AWG WIRES			1.25 [31.75]	0.50 [12.70]	200					
S100X075VAC	18-14 AWG WIRE		1	1.00 [25.40]	0.75 [19.05]	0.25 [6.35]		350			
S100X125VAC	12-10 AWG WIRES				1.25 [31.75]	0.38 [9.65]		225			
S100X150VAC	CAT. 5e/ CAT. 6 CABLE				1.50 [38.10]	0.50 [12.70]		200			
S100X160VAC	NWSLC-2Y AND NWSLC-3Y				1.60 [40.64]	0.80 [20.32]		175			
S100X220VAC	NWSLC-7Y				2.20 [55.88]	1.10 [27.94]		125			
S100X150VBC	CAT. 5e/ CAT. 6 CABLE				4	1.00 [25.40]		1.50 [38.10]	0.50 [12.70]	BLUE	200
S100X150VDC	CAT. 5e/ CAT. 6 CABLE									GREEN	
S100X150VHC	CAT. 5e/ CAT. 6 CABLE									RED	
S100X150VIC	CAT. 5e/ CAT. 6 CABLE									YELLOW	
S100X225VAC	8-4 AWG CABLE									125	
S100X225VBC	8-4 AWG WIRES		BLUE								
S100X225VDC	8-4 AWG WIRES		GREEN								
S100X225VHC	8-4 AWG WIRES		RED								
S100X225VIC	8-4 AWG WIRES	YELLOW									
S100X400VAC	1-2 AWG WIRES	75	4.00 [101.60]	1.00 [25.40]	WHITE						
S100X650VAC	1/0-250 MCM WIRES				6.50 [165.10]	1.50 [38.10]	50				



NOTES:
1. DIMENSIONS IN [] ARE IN MILLIMETERS.

REV	DATE	BY	CHK	APR	DESCRIPTION	ECN
4	1/18/17	RVU	JW	JHAC	Change Reference Material from GMV16 to GMV17.	GAECN03532
3	3/9/12	RVU	SEWH	MSAD	CHANGE STYLE 1.00 TO 1 AND LABEL/ROLL, 50.00 TO 50.	6588
2	9/15/10	RVU	SEWH	MSAD	add a new label- S025X075VAC. 650 labels/cassette. "C", 0.25.	6144
1	5/18/10	RVU	SEWH	MSAD	GMV16 WAS GMV15.	6052
0	4/21/08	RVU	SEWH	MSAD	DRAWING RELEASE.	5403

TITLE		P1 LABEL CASSETTE SELF-LAMINATING LABEL	
		CUSTOMER DRAWING	
ITEM REVISION NAME		100743SR/16	
DATASET FILE NAME		100743SR_DC_C10694/16E	
UNLESS OTHERWISE SPECIFIED, DIMENSIONAL TOLERANCES ARE: IN [mm]		PANDUIT MATERIAL: SEE TABLE	
.x ± .1 [2.54] .xxx ± .005 [.127] .xx ± .01 [.25] ANGLES ± 5 °			
		DRAWING NUMBER: C10694	
DRAWN BY	DATE	CHK	SCALE
RVU	4/22/08	JHAC	NTS
SHT 1 OF 1			A

X-ON Electronics

Largest Supplier of Electrical and Electronic Components

Click to view similar products for [Wire Labels & Markers](#) category:

Click to view products by [Panduit](#) manufacturer:

Other Similar products are found below :

[89078GBEST](#) [89082GBESR](#) [89082GBEST](#) [PCL025-4](#) [5761-2SF](#) [58400](#) [586R734H02](#) [M1.040.0000.6](#) [CRS-CM5M](#) [CRS-M18M](#) [CS1836-000](#) [CS8626-000](#) [CU6337-000](#) [CU6342-000](#) [CU6343-000](#) [CWD01-0](#) [CWD012-0](#) [CWD012-7](#) [CWD015-3](#) [CWD015-7](#) [CWD02-0](#) [CWD02-3](#) [CWD02-4](#) [CWD02-6](#) [CWD02-8](#) [CWD02-A](#) [CWD02-D](#) [CWD02-H](#) [CWD02-K](#) [CWD02-L](#) [CWD02-M](#) [CWD02-P](#) [CWD02-Q](#) [CWD02-R](#) [CWD02-U](#) [CWD02-W](#) [CWD02-Y](#) [CWD03-+](#) [CWD03-0](#) [CWD03-P](#) [CWD06-0](#) [CWD06-8](#) [CWD06-9](#) [CWD06-L](#) [CWD06-N](#) [CWD09-0](#) [CWD09-5](#) [CWD09-7](#) [6806810001](#) [CZ2857-000](#)