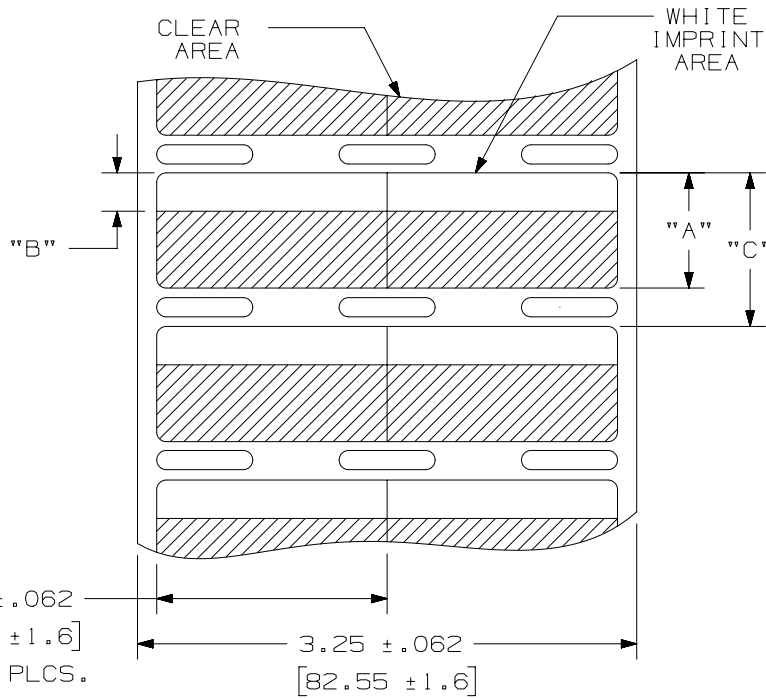


THIS COPY IS PROVIDED ON A RESTRICTED BASIS AND IS NOT TO BE USED IN ANY WAY DETRIMENTAL TO THE INTERESTS OF PANDUIT CORP.

PART NUMBER	MATERIAL	"A" HEIGHT +/- .062	IMPRINT AREA "B" +/- .062	VERTICAL REPEAT "C" +/- .062	LABELS PER ROW	STANDARD PKG. QTY.
S150X150VATY	GMV16 OR GMV17	1.50 [ 38.1 ]	0.50 [ 12.7 ]	1.75 [ 44.45 ]	2	5000
S150X225VATY		2.25 [ 57.2 ]	0.75 [ 19.1 ]	2.50 [ 63.5 ]		2500
S150X400VATY		4.00 [ 101.6 ]	1.00 [ 25.4 ]	4.25 [ 108.0 ]		



NOTE:  
1. MILLIMETER ARE IN [ ].

REV	DATE	BY	CHK	APR	DESCRIPTION	ECN
9	8/11/16	RVU	SEWH	JHAC	4.25 [108.0] WAS 4.25 [114.3].	GAECN03563
8	9/25/13	RVU	SEWH	MSAD	2500 WAS 5000 FOR S150X400VATY ONLY.	GAECN01219
7	####	RVU	SEWH	MSAD	REMOVE PN, S150X225TAT.	GAECN01163
6	10/25/11	RVU		MSAD	"GMV16 OR GMV17" WAS "GMV".	6548

TITLE <b>S150X***VATY OPTIMUM SELF-LAMINATING THERMAL TRANSFER PRINTABLE LABELS CUSTOMER DRAWING</b>					
ITEM REVISION NAME 100701MV/11	<b>PANDUIT</b>				
DATASET FILE NAME 100701MV_DC_C10438/11K					
UNLESS OTHERWISE SPECIFIED, DIMENSIONAL TOLERANCES ARE: IN [ mm ] .x ± .12 [ 3.04 ] .xxx ± .025 [ .635 ] .xx ± .062 [ 1.57 ] ANGLES ±					
DRAWING NUMBER: C10438					
DRAWN BY RVU	DATE 8/4/06	CHK MSAD	SCALE NTS	SHT 1 OF 1	SIZE A

D101000DA/16

## X-ON Electronics

Largest Supplier of Electrical and Electronic Components

*Click to view similar products for [Wire Labels & Markers](#) category:*

*Click to view products by [Panduit](#) manufacturer:*

Other Similar products are found below :

[89078GBEST](#) [89082GBESR](#) [89082GBEST](#) [PCL025-4](#) [5761-2SF](#) [58400](#) [586R734H02](#) [M1.040.0000.6](#) [CRS-CM5M](#) [CRS-M18M](#) [CS1836-000](#) [CS8626-000](#) [CU6337-000](#) [CU6342-000](#) [CU6343-000](#) [CWD01-0](#) [CWD012-0](#) [CWD012-7](#) [CWD015-3](#) [CWD015-7](#) [CWD02-0](#) [CWD02-3](#) [CWD02-4](#) [CWD02-6](#) [CWD02-8](#) [CWD02-A](#) [CWD02-D](#) [CWD02-H](#) [CWD02-K](#) [CWD02-L](#) [CWD02-M](#) [CWD02-P](#) [CWD02-Q](#) [CWD02-R](#) [CWD02-U](#) [CWD02-W](#) [CWD02-Y](#) [CWD03-+](#) [CWD03-0](#) [CWD03-P](#) [CWD06-0](#) [CWD06-8](#) [CWD06-9](#) [CWD06-L](#) [CWD06-N](#) [CWD09-0](#) [CWD09-5](#) [CWD09-7](#) [6806810001](#) [CZ2857-000](#)