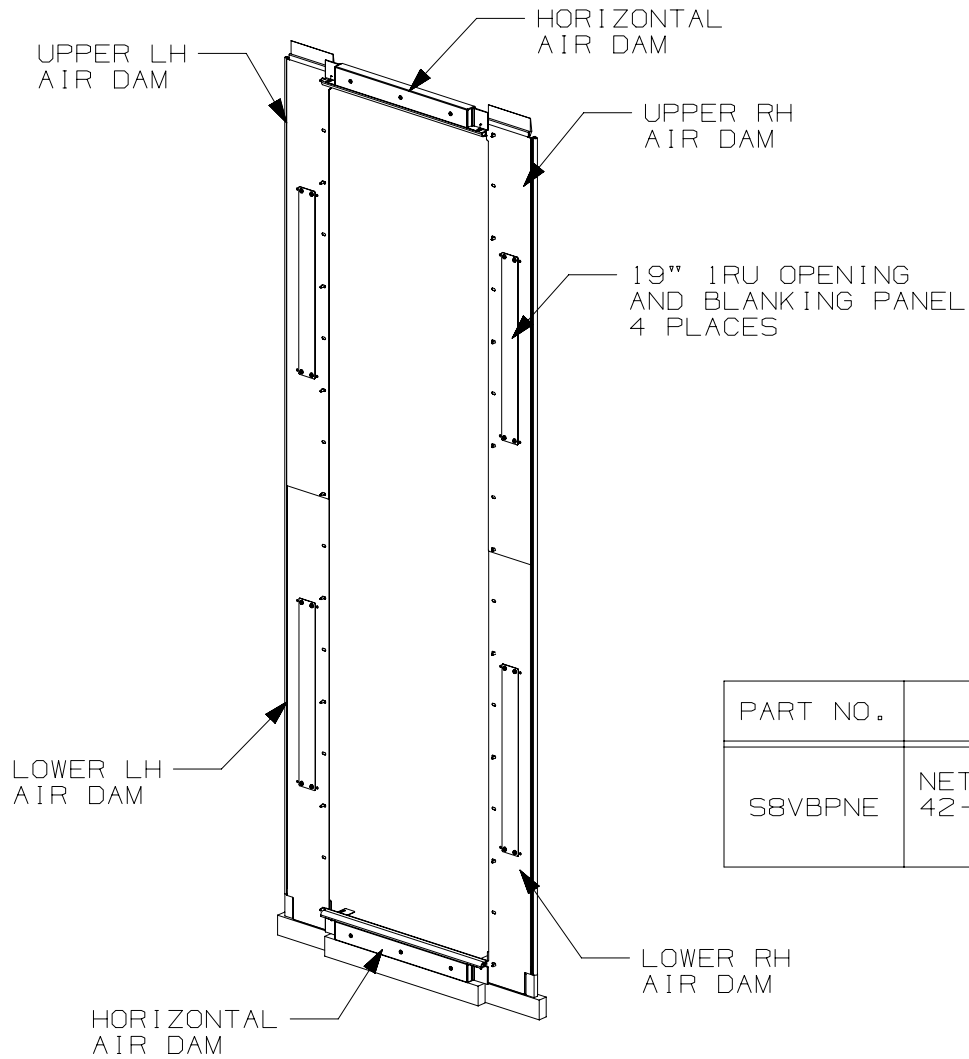


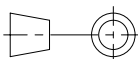
THIS COPY IS PROVIDED ON A RESTRICTED BASIS AND IS NOT TO BE USED IN ANY WAY DETRIMENTAL TO THE INTERESTS OF PANDUIT CORP.



- VISIT OUR ON-LINE CATALOG AT [WWW.PANDUIT.COM](http://WWW.PANDUIT.COM) FOR A LIST OF CURRENT PARTS APPLICABLE FOR USE WITH THIS PRODUCT.
- PARTS SUPPLIED:
  - 1- UPPER RH AIR DAM
  - 1- UPPER LH AIR DAM
  - 1- LOWER RH AIR DAM
  - 1- LOWER LH AIR DAM
  - 2- HORIZONTAL AIR DAM
  - 4- 19" 1RU BLANKING PANEL
  - 1- VERTICAL BLANKING PANEL FOR TOP HAT (NOT SHOWN)
  - 1- ADJUSTABLE BLANKING PANEL PLATE RH (NOT SHOWN)
  - 1- ADJUSTABLE BLANKING PANEL PLATE LH (NOT SHOWN)
  - 1- CENTER SEALING BRACKET (NOT SHOWN)
  - 1- CABINET SEALING BRACKET (NOT SHOWN)
  - 1- INSTRUCTION SHEET (NOT SHOWN)
- PRIMARY DIMENSIONS ARE IN MILLIMETERS.

PART NO.	DESCRIPTION	WEIGHT
S8VBPNE	NET-ACCESS ENHANCED AIR DAM FOR 42-48 RU UNIVERSAL 800MM S-TYPE CABINETS	9.1 Kg/EACH 20.0 [LBS/EACH]

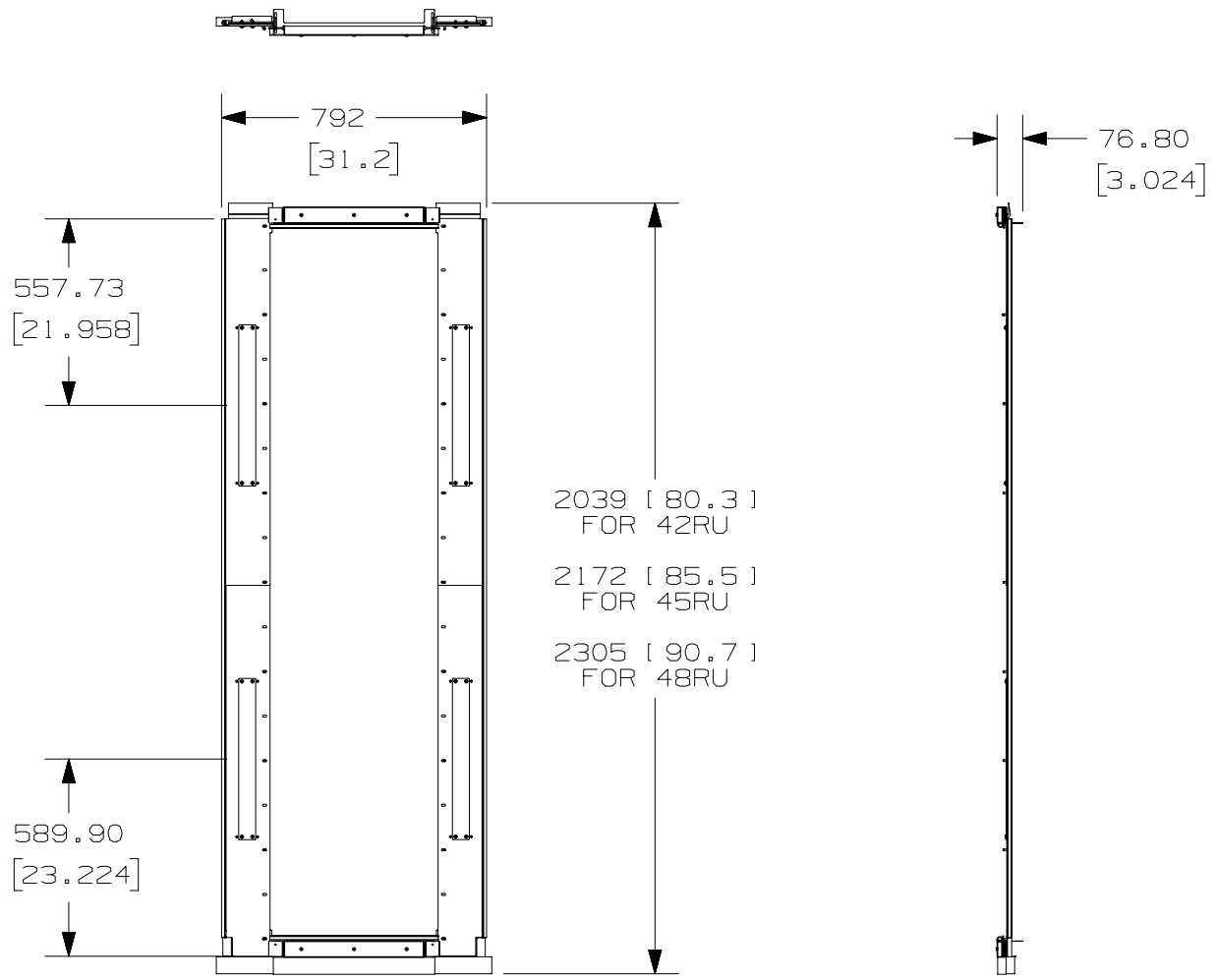
NOTE: S8VBPNE TO BE PAINTED BLACK

TITLE <b>NET-ACCESS ENHANCED AIR DAM - (S8VBPNE)</b>	
CUSTOMER DRAWING	
ITEM REVISION NAME 00057EDA/00	<b>PANDUIT</b>
DATASET FILE NAME 00057EDA_DC/00A	
MATERIAL: N/A	
DRAWING NUMBER: 00057EDA-DC	
 THIRD ANGLE PROJECTION	
DRAWN BY MEX-JAGC	DATE 10/26/17
CHK EWSA	SCALE NONE
SHT 1 OF 2	
SIZE A	

REV	DATE	BY	CHK	APR	DESCRIPTION	ECN
00A	10/26/17	MEX-JAGC	EWSA	ELE	DRAWING RELEASE	V09001KY

D10100DA/20

THIS COPY IS PROVIDED ON A RESTRICTED BASIS AND IS NOT TO BE USED IN ANY WAY DETRIMENTAL TO THE INTERESTS OF PANDUIT CORP.



00A	10/26/17	MEX-JAGC	EWSA	ELE	DRAWING RELEASE			V09001KY	
REV	DATE	BY	CHK	APR	DESCRIPTION			ECN	

TITLE									
NET-ACCESS ENHANCED AIR DAM - (S8VBPNE)									
CUSTOMER DRAWING									
ITEM REVISION NAME								00057EDA/00	
DATASET FILE NAME								00057EDA_DC/00A	
MATERIAL:								N/A	
DRAWING NUMBER:								00057EDA-DC	
DRAWN BY MEX-JAGC				DATE 10/26/17		CHK EWSA		SCALE NONE	
REV				DATE		CHK		SCALE	
SHT 2 OF 2								A	

D10100DA/20

## X-ON Electronics

Largest Supplier of Electrical and Electronic Components

*Click to view similar products for [Wire Ducting & Raceways](#) category:*

*Click to view products by [Panduit](#) manufacturer:*

Other Similar products are found below :

[800A-LB](#) [801I-LSP](#) [802A-ECSP](#) [802I-ICSP](#) [923223-000](#) [PRAF6WH-X](#) [A0405538](#) [1301150342](#) [1301160034](#) [1301170070](#) [1301180011](#)  
[1301230083](#) [1301230153](#) [1301240273](#) [1301250006](#) [1302261238](#) [1302261321](#) [1302262552](#) [1302263103](#) [1302263178](#) [1302263259](#)  
[1302263816](#) [1302263860](#) [1302264375](#) [1302264390](#) [1301150343](#) [1301160030](#) [1301170050](#) [1301170051](#) [1301170061](#) [1301180013](#)  
[1301230086](#) [1301230130](#) [1301240054](#) [1302260055](#) [1302260376](#) [1302261343](#) [1302261344](#) [1302262674](#) [1302263095](#) [1302263166](#)  
[1302263209](#) [1302263513](#) [1302263851](#) [1302263870](#) [1302264137](#) [1302264218](#) [DD1/J](#) [AX101472](#) [AX102007](#)