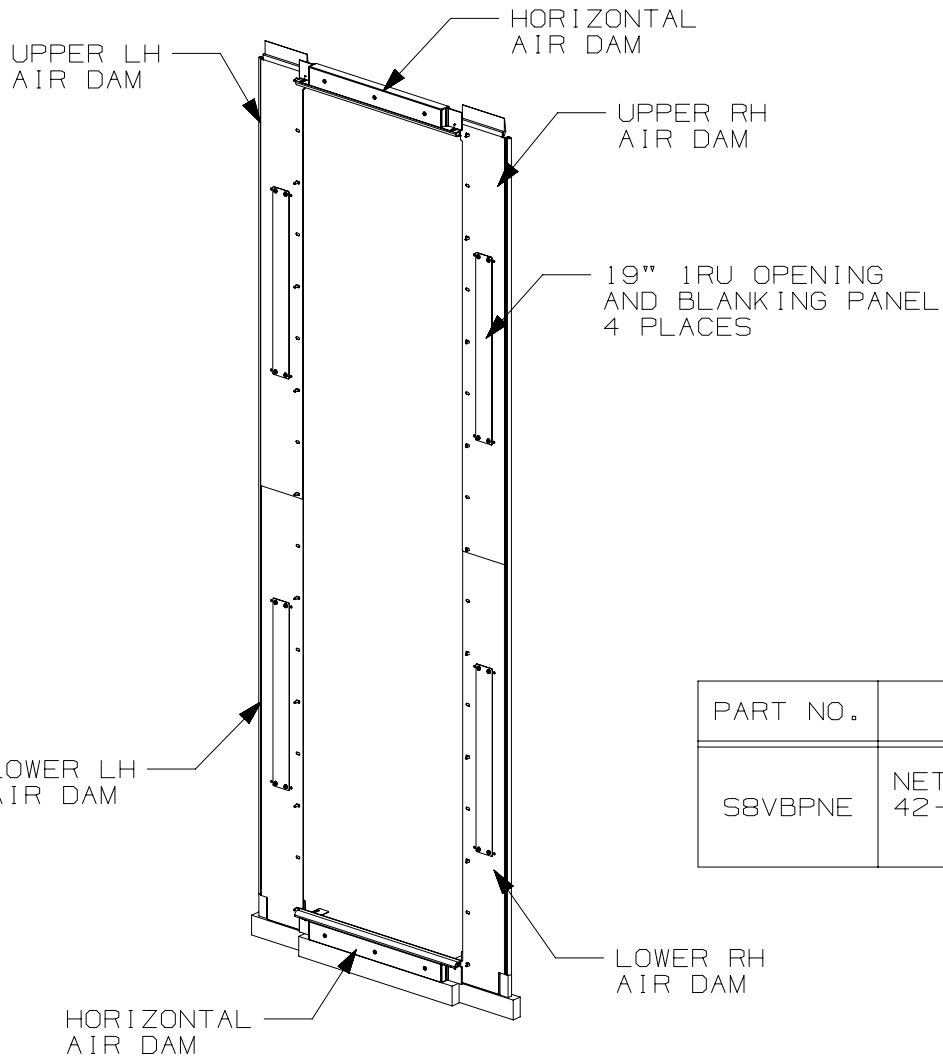


THIS COPY IS PROVIDED ON A RESTRICTED BASIS AND IS NOT TO BE USED IN ANY WAY DETRIMENTAL TO THE INTERESTS OF PANDUIT CORP.



- VISIT OUR ON-LINE CATALOG AT [WWW.PANDUIT.COM](http://WWW.PANDUIT.COM) FOR A LIST OF CURRENT PARTS APPLICABLE FOR USE WITH THIS PRODUCT.
- PARTS SUPPLIED:
  - 1- UPPER RH AIR DAM
  - 1- UPPER LH AIR DAM
  - 1- LOWER RH AIR DAM
  - 1- LOWER LH AIR DAM
  - 2- HORIZONTAL AIR DAM
  - 4- 19" 1RU BLANKING PANEL
  - 1- VERTICAL BLANKING PANEL FOR TOP HAT (NOT SHOWN)
  - 1- ADJUSTABLE BLANKING PANEL PLATE RH (NOT SHOWN)
  - 1- ADJUSTABLE BLANKING PANEL PLATE LH (NOT SHOWN)
  - 1- CENTER SEALING BRACKET (NOT SHOWN)
  - 1- CABINET SEALING BRACKET (NOT SHOWN)
  - 1- INSTRUCTION SHEET (NOT SHOWN)
- PRIMARY DIMENSIONS ARE IN MILLIMETERS.

PART NO.	DESCRIPTION	WEIGHT
S8VBPNE	NET-ACCESS ENHANCED AIR DAM FOR 42-48 RU UNIVERSAL 800MM S-TYPE CABINETS	9.1 Kg/EACH 20.0 [LBS/EACH]

NOTE: S8VBPNE TO BE PAINTED BLACK

TITLE		NET-ACCESS ENHANCED AIR DAM - (S8VBPNE)	
CUSTOMER DRAWING			
ITEM REVISION NAME		00057EDA/00	
DATASET FILE NAME		00057EDA_DC/00A	
MATERIAL:		N/A	
DRAWING NUMBER:		00057EDA-DC	
THIRD ANGLE PROJECTION			
DRAWN BY	DATE	CHK	SCALE
MEX-JAGC	10/26/17	EWSA	NONE
SHT 1 OF 2		A	

REV	DATE	BY	CHK	APR	DESCRIPTION	ECN
00A	10/26/17	MEX-JAGC	EWSA	ELE	DRAWING RELEASE	V09001KY

D10100DA/20

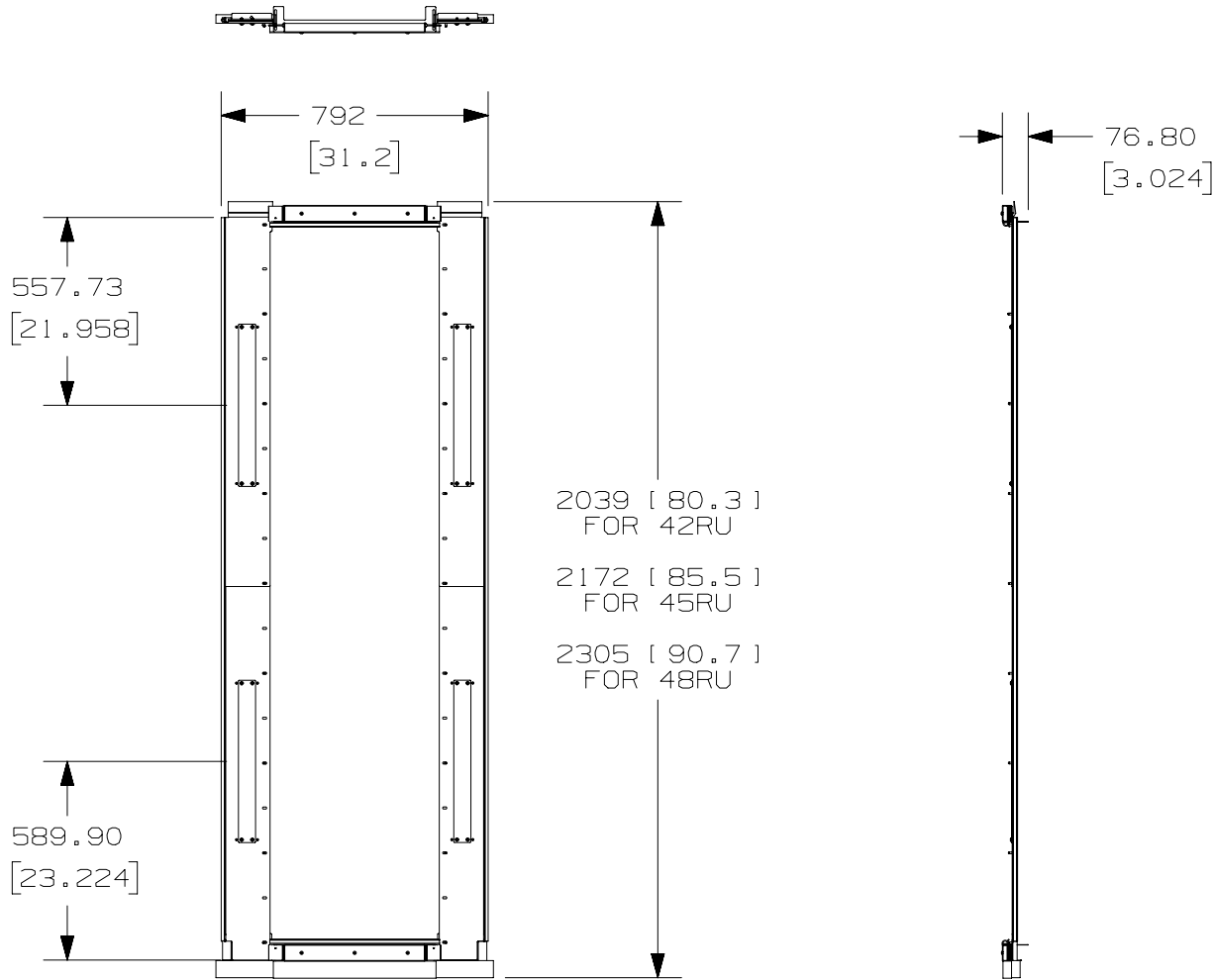
2

1

2

1

THIS COPY IS PROVIDED ON A RESTRICTED BASIS AND IS NOT TO BE USED IN ANY WAY DETRIMENTAL TO THE INTERESTS OF PANDUIT CORP.



00A	10/26/17	MEX-JAGC	EWSA	ELE	DRAWING RELEASE				V09001KY
REV	DATE	BY	CHK	APR	DESCRIPTION	ECN			

TITLE									
NET-ACCESS ENHANCED AIR DAM - (S8VBPNE)									
CUSTOMER DRAWING									
ITEM REVISION NAME								00057EDA/00	
DATASET FILE NAME								00057EDA_DC/00A	
MATERIAL:								N/A	
DRAWING NUMBER:								00057EDA-DC	
DRAWN BY MEX-JAGC				DATE 10/26/17		CHK EWSA		SCALE NONE	
REV				DATE		BY		CHK	
00A				10/26/17		MEX-JAGC		EWSA	
DESCRIPTION				ECN		THIRD ANGLE PROJECTION		SHT 2 OF 2	
DRAWING RELEASE				V09001KY		THIRD ANGLE PROJECTION		A	

D10100DA/20

## X-ON Electronics

Largest Supplier of Electrical and Electronic Components

*Click to view similar products for [Wire Ducting & Raceways](#) category:*

*Click to view products by [Panduit](#) manufacturer:*

Other Similar products are found below :

[FG5EI25-A](#) [PED12](#) [PED8](#) [PEVEP](#) [FXOE3-10M3](#) [FZD3-3M2](#) [FZLE10-10M2](#) [FZOE10-10M1](#) [FZOLE10-10M2](#) [FZPE3-10M2](#) [923223-000](#)  
[PRAF6WH-X](#) [A0405538](#) [1301150342](#) [1301230083](#) [1301150343](#) [1301230086](#) [1301240054](#) [AX101472](#) [AX102652](#) [AX102653](#) [AX102737](#)  
[S62DS](#) [S65DS](#) [S75DSH](#) [A0405536](#) [A0405537](#) [A0649869](#) [FXOD3-3M1](#) [FXOE10-10M2](#) [FZLD3-3M2](#) [FZOE3-10M1](#) [FZOE3-10M2](#)  
[FZOLE3-10M2](#) [FZOPE10-10M1](#) [FZPD3-3M2](#) [PZRFE4](#) [PZWIFIEN](#) [PZWIFIENA](#) [CNPSNH](#) [CNSPC](#) [5400ES](#) [WDLT-1216-72](#) [655287-000](#)  
[S75DS](#) [1301180028](#) [801A-LSP](#) [TGECAW](#) [206461-000](#) [853425-000](#)